

SENSOR ACTOR LINE CONNECTORS

CONEC®

TECHNOLOGY IN CONNECTORS™



POWER
Sockets

SENSORS

M8 / M12 / 7 / 8" / RUND24

AUTOMATION

Customized

BUS-Connectors

MECH. ENGINEERING

field attachable

COMMUNICATIONS





TECHNOLOGY IN CONNECTORS™

As a leading connector manufacturer CONEC develops, produces and markets connectors worldwide for the application fields: industrial electronics, telecommunications, automation, automotive, aerospace and medical.



CONEC Germany, Lippstadt




CONEC Canada, Brampton



CONEC USA, Garner





At the headquarters in Lippstadt CONEC maintain a large research and development department, its own tool making department, CNC-turning department and a synthetics injection moulding plant. CONEC is a global player with its own subsidiaries or production sites in Canada, the USA, China, Czech Republic, Poland, France and the UK.



TABLE OF CONTENTS

SECTION 1	CONNECTORS OVERMOULDED	
	Nomenclature – Product specification	8
	M8x1/Ø8mm Connectors	16
	M12x1 Connectors	41
	7/8" Connectors	69
	Rund24 Connectors	87
SECTION 2	CONNECTORS FIELD ATTACHABLE	
	Nomenclature – Product specification	90
	M8x1 Connectors	102
	M12x1 Connectors	105
	7/8" Connectors	111
	M23 Connectors	112
	Rund24 Connectors	113
SECTION 3	SOCKETS	
	Nomenclature – Product specification	116
	M8x1 Sockets front panel mounting	120
	M12x1 Sockets front panel mounting	123
	7/8" Sockets front panel mounting	134
	M8x1 Sockets back panel mounting	138
	M12x1 Sockets back panel mounting	142
	7/8" Sockets back panel mounting	153
SECTION 4	SOCKETS SMT/THR	
	Nomenclature – Product specification	158
	M8x1 Sockets SMT	160
	M8x1 Sockets THR	165
	M8x1 Installation components SMT/THR	170
	M12x1 Sockets SMT	172
	M12x1 Installation components SMT	175
SECTION 5	PANEL PLUGS MALE/FEMALE	
	Nomenclature – Product specification	178
	M8x1 Panel plugs male- /female	180
	M12x1 Panel plugs male	183
SECTION 6	POWER CONNECTORS	
	Nomenclature – Product specification	188
	M12x1 Connectors, overmoulded, T-coded	192
	M12x1 Sockets T-coded	194
	M12x1 Connectors, overmoulded, S-coded	196
	M12x1 Sockets S-coded	198
SECTION 7	HIGH TEMPERATURE CONNECTORS	
	Nomenclature – Product specification	202
	M12x1 Connectors overmoulded	206
	M12x1 Sockets front/back panel mounting	209
SECTION 8	FOOD & BEVERAGES CONNECTORS	
	Nomenclature – Product specification	218
	M8x1 Connectors overmoulded	222
	M8x1 Sockets front panel mounting	227
	M12x1 Connectors overmoulded	228
	M12x1 Sockets front/back panel mounting	233



SECTION 9	CONNECTORS FOR BUS SYSTEMS	
	Nomenclature – Product specification	238
	Profibus DP	
	M12x1 Connectors overmoulded	252
	M12x1 Connectors field attachable	258
	M12x1 Sockets front/back panel mounting	259
	D-SUB - M12x1 Connecting cable	270
	Industrial Ethernet 100 MHz	
	M8x1 Connectors overmoulded	274
	M8x1 Sockets front panel mounting	275
	M12x1 Connectors overmoulded	276
	RJ45 Connecting cable AWG 24	278
	RJ45 - M8x1/M12x1 Connecting cable AWG 26	279
	M12x1 Connectors field attachable	280
	M12x1 Sockets front/back panel mounting	281
	10 Gbit/s Ethernet	
	M12x1 overmoulded, field attachable, sockets	286
	M12x1 Sockets SMT	287
	M12x1 Sockets THR	288
	RJ45 - M12x1 CONEC EtherCord	
	M12x1/ RJ45 Connecting cable	289
	DeviceNet	
	M12x1 Connectors overmoulded	291
	M12x1 Sockets front/back panel mounting	295
	7/8" Connectors overmoulded	297
	7/8" Sockets back panel mounting	297
	CAN-Bus	
	M12x1 Connectors overmoulded	298
	M12x1 Sockets front/back panel mounting	299
SECTION 10	JUNCTION SYSTEMS	
	Nomenclature – Product specification	302
	M8x1/M12x1 Y-Splitter	308
	M8x1/M12x1 Duo-Splitter	311
	M12x1 T-Splitter	316
	M12x1 Adapter	319
	7/8" T-Splitter	321
SECTION 11	VALVE CONNECTORS	
	Nomenclature – Product specification	324
	Overview pin assignment	328
	Valve connectors DT-series	330
	Valve connectors Superseal-series	340
SECTION 12	ACCESSORIES	
	Torque wrench/Plug insert	344
	Hex nuts/Tool holder	345
	Protection caps	346
SECTION 13	TECHNICAL INFORMATIONS	
	Cable qualities	350
	Pin and contact assignment	356
	Coding	360
	PCB-layout and installation space dimension	361
	Panel cut out	375
	IP Protection classes	376
	Electrotechnical Informations	377
SECTION 14	ADDITIONAL PRODUCT CATEGORIES	380
SECTION 15	PART NUMBERS	388



SECTION 1

CONNECTORS OVERMOULDED





SAL M8x1/Ø8MM CONNECTORS OVERMOULDED

Nomenclature

S A L - 8 - R K W S 3 - 3 L - 3 / A 1 / 034

SAL
Sensor Actor Line

Installation size
8 = M8x1/Ø8 mm

Coding
= Standard
B = B-coded S = A-coded, shielded

Design
R = Circular connector

Gender
K = Female connector
S = Male connector

Configuration
= Axial
W = Angled

Version
F = Thread fixed

Locking type
= Screwable
S = Snap-in
U = Screwable/Snap-in

Number of poles
3 = 3-pos. 5 = 5-pos.
4 = 4-pos. 8 = 8-pos.

LED-display
2L = 2-LED
3L = 3-LED

Cable length
XX = Length [m]

Cable quality
A1 = PVC, grey
K1 = TPU, black, high flexible, halogenfree, UL
G2 = TPU, black, shielded, UL
G3 = PVC, grey, shielded, UL
H5 = TPU, black, flexible, halogenfree UL

Wire cross-section
034 = 0.34 mm²
05 = 0.5 mm²

SAL M8x1/Ø8MM CONNECTORS OVERMOULDED

Product specification

Basic material	
Contact	CuZn
Contact plating	Nickel plated, gold plated
Contact carrier	TPU GF, UL 94 / PA, UL 94
Overmould standard configuration	TPU, UL 94, grey
Overmould LED-display configuration	TPU, UL translucent
Sealing	FPM
Coupling nut/-screw	GD-Zn, Ni

Technical Data

Information on the following pages are basing on below mentioned IEC-standards.

Rated voltage	IEC 61076-2-104
Current rating	IEC 61076-2-104
Insulation resistance	IEC 60512
Degree of pollution	IEC 60664-1
Degree of protection	IEC 60529
Mating cycles	IEC 60512-9a

Recommended torque: 0.4 Nm

Technical subject to change without notice.

SAL M12x1 CONNECTORS OVERMOULDED

Nomenclature

S A L - 1 2 - R K W 4 - 3 L - 3 / A 1

SAL
Sensor Actor Line

Installation size
12 = M12x1

Coding
= A-coding
C = C-coding
S = A-coding shielded

Design
R = Circular connector

Gender
K = Female connector
S = Male connector

Configuration
= Axial
W = Angled

Number of poles
3 = 3-pos.
4 = 4-pos.
5 = 5-pos.
6 = 6-pos.
8 = 8-pos.
12 = 12-pos.

LED-display
2L = 2-LED
3L = 3-LED

Cable length
XX = Length [m]

Cable quality
A1 = PVC, grey
A3 = PVC, grey, UL
G2 = TPU, black, shielded, UL
G3 = PVC, grey, shielded, UL
J1 = TPU, orange, irradiated, halogenfree, UL
K1 = TPU, black, high flexible, halogenfree, UL

SAL M12x1 CONNECTORS OVERMOULDED

Product specification

Basic material	
Contact	CuZn
Contact plating	Nickel plated, gold plated
Contact carrier	TPU GF, UL 94 / PA, UL 94
Overmould standard configuration	TPU, UL 94, grey
Overmould LED-display configuration	TPU, UL 94, transluzent
Sealing	FPM
Coupling nut/-screw	GD-Zn, Ni

Technical Data

Information on the following pages are basing on below mentioned IEC-standards.

Rated voltage	IEC 61076-2-101
Current rating	IEC 61076-2-101
Insulation resistance	IEC 60512
Degree of pollution	IEC 60664-1
Degree of protection	IEC 60529
Mating cycles	IEC 60512-9a

Recommended torque: 0,6 Nm

Technical subject to change without notice.

SAL 7/8" CONNECTORS OVERMOULDED

Nomenclature

S A L - 7 / 8 - R K W 4 - 2 / A 3 / 150

SAL
Sensor Actor Line

Installation size
7/8 = 7/8"

Design
R = Circular connector

Gender
K = Female connector
S = Male connector

Configuration
= Axial
W = Angled

Number of poles
2PE = 2-pos. + PE
4 = 4-pos.
4PE = 4-pos. + PE

Cable length
XX = Length [m]

Cable quality
A3 = PVC, grey, 300 V, UL
A6 = PVC, grey, 600 V, UL
K1 = TPU, black, 300 V, UL
K0 = TPU, black, 600 V, UL

Wire cross-section
= 0.75 mm²
150 = 1.5 mm²
250 = 2.5 mm²

SAL 7/8" CONNECTORS OVERMOULDED

Product specification

Basic material	
Contact	CuZn
Contact plating	Nickel plated, gold plated
Contact carrier	TPU, UL 94
Overmould	TPU, UL 94
Coupling nut/-screw	CuZn, Ni

Technical Data

Information on the following pages are basing on below mentioned IEC-standards.

Rated voltage	IEC 60664-1
Overvoltage category	IEC 60664-1 2
Overvoltage impulse	IEC 60664-1 2,7kV
Current rating	IEC 60512-3
Insulation resistance	IEC 60512
Degree of pollution	IEC 60664-1
Degree of protection	IEC 60529
Mating cycles	IEC 60512-9a

Technical subject to change without notice.

SAL RUND24 CONNECTORS OVERMOULDED

Nomenclature

S A L - 2 4 - R K W 3 P E - 2 / A 3

SAL
Sensor Actor Line

Installation size
24 = Rund24

Design
R = Circular connector

Gender
K = Female connector
S = Male connector

Configuration
= Axial
W = Angled

Number of poles
3PE = 3-pos. + PE

Cable length
XX = Length [m]

Cable quality
A3 = PVC, grey, UL

SAL RUND24 CONNECTORS OVERMOULDED

Product specification

Basic material	
Contact	CuZn
Contact plating	Nickel plated, silver plated
Contact carrier	PA GF, UL 94
Overmould	TPU, UL 94, grey
Sealing	FPM
Coupling nut/-screw	PA GF, UL 94

Technical Data

Information on the following pages are basing on below mentioned IEC-standards.

Rated voltage	IEC 60664-1
Current rating	IEC 60512-3
Insulation resistance	IEC 60512
Degree of pollution	IEC 60664-1
Degree of protection	IEC 60529
Mating cycles	IEC 60512-9a

Technical subject to change without notice.

M8x1 CONNECTORS OVERMOULDED

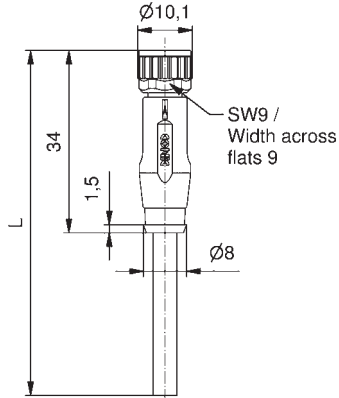
Screwable

Female connector axial

PVC, grey, LiYY

Contact assignment

Number of poles	Coding	Rated voltage [V]	Current rating [A]	Cable length = L [m]	Wire cross section [mm ²]	Description	Part No.
3	50 V AC / 60 V DC	3	3	0,25	2	SAL-8-RK3-2/A1	42-10000
					3	SAL-8-RK3-3/A1	42-10001
					5	SAL-8-RK3-5/A1	42-10002
					10	SAL-8-RK3-10/A1	42-10003
4	50 V AC / 60 V DC	3	3	0,25	2	SAL-8-RK4-2/A1	42-10032
					3	SAL-8-RK4-3/A1	42-10033
					5	SAL-8-RK4-5/A1	42-10034
					10	SAL-8-RK4-10/A1	42-10035
5	B	30	3	0,25	2	SAL-8B-RK5.1-2/A1	42-11104
					3	SAL-8B-RK5.1-3/A1	42-11105
					5	SAL-8B-RK5.1-5/A1	42-11106
					10	SAL-8B-RK5.1-10/A1	42-11107
8	A	30	1,5	0,14	2	SAL-8-RK8-2/A1	42-11226
					3	SAL-8-RK8-3/A1	42-11227
					5	SAL-8-RK8-5/A1	42-11228
					10	SAL-8-RK8-10/A1	42-11229



Pin 1 ■
Pin 3 ■
Pin 4 ■

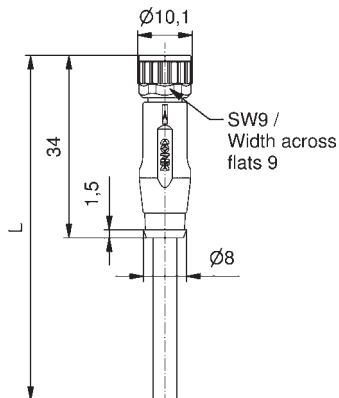
Pin 1 ■
Pin 2 ■
Pin 3 ■
Pin 4 ■

Pin 1 ■
Pin 2 ■
Pin 3 ■
Pin 4 ■
Pin 5 ■

Pin 1 ■
Pin 2 ■
Pin 3 ■
Pin 4 ■

Pin 5 ■
Pin 6 ■
Pin 7 ■
Pin 8 ■

TPU, UL, halogenfree, black, LiY11Y



Pin 1 ■
Pin 3 ■
Pin 4 ■

Pin 1 ■
Pin 2 ■
Pin 3 ■
Pin 4 ■

Pin 1 ■
Pin 2 ■
Pin 3 ■
Pin 4 ■
Pin 5 ■

Pin 1 ■
Pin 2 ■
Pin 3 ■
Pin 4 ■
Pin 5 ■

Pin 1 ■
Pin 2 ■
Pin 3 ■
Pin 4 ■

Pin 5 ■
Pin 6 ■
Pin 7 ■
Pin 8 ■

3	50 V AC / 60 V DC	3	3	0,25	2	SAL-8-RK3-2/K1	42-10004
					3	SAL-8-RK3-3/K1	42-10005
					5	SAL-8-RK3-5/K1	42-10006
					10	SAL-8-RK3-10/K1	42-10007
4	50 V AC / 60 V DC	3	3	0,25	2	SAL-8-RK4-2/K1	42-10036
					3	SAL-8-RK4-3/K1	42-10037
					5	SAL-8-RK4-5/K1	42-10038
					10	SAL-8-RK4-10/K1	42-10039
5	B	30	3	0,25	2	SAL-8B-RK5.1-2/K1	42-11096
					3	SAL-8B-RK5.1-3/K1	42-11097
					5	SAL-8B-RK5.1-5/K1	42-11098
					10	SAL-8B-RK5.1-10/K1	42-11099
5	B	30	3x1,5 2x3	3x0,14 2x0,34	2	SAL-8B-RK5.1-2/H5	42-13031
					3	SAL-8B-RK5.1-3/H5	42-13032
					5	SAL-8B-RK5.1-5/H5	42-13033
					10	SAL-8B-RK5.1-10/H5	42-13034
8	A	30	1,5	0,14	2	SAL-8-RK8-2/K1	42-11175
					3	SAL-8-RK8-3/K1	42-11176
					5	SAL-8-RK8-5/K1	42-11177
					10	SAL-8-RK8-10/K1	42-11178

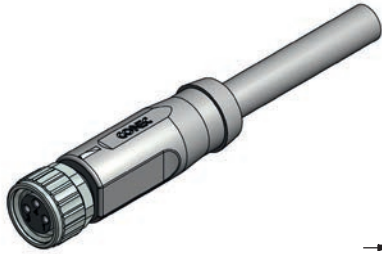
M8x1 CONNECTORS OVERMOULDED
Screwable, wire cross section 0.5 mm²

Female connector axial

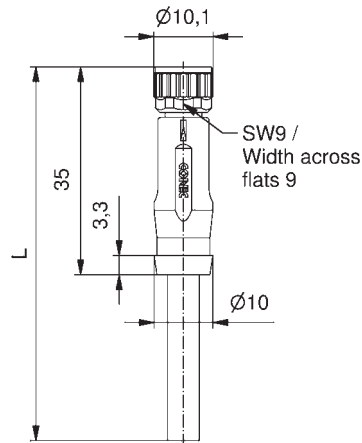
PVC, grey, LiYY

Contact assignment

Number of poles	Coding	Rated voltage [V]	Current rating [A]	Cable length = L [m]	Wire cross section [mm ²]	Description	Part No.
3		50 V AC / 60 V DC	5	0,5	2	SAL-8-RK3-2/A1/05	42-12226
					3	SAL-8-RK3-3/A1/05	42-12227
					5	SAL-8-RK3-5/A1/05	42-12228
					10	SAL-8-RK3-10/A1/05	42-12229
4		50 V AC / 60 V DC	5	0,5	2	SAL-8-RK4-2/A1/05	42-12266
					3	SAL-8-RK4-3/A1/05	42-12267
					5	SAL-8-RK4-5/A1/05	42-12268
					10	SAL-8-RK4-10/A1/05	42-12269



- Pin 1 ■
- Pin 3 ■
- Pin 4 ■

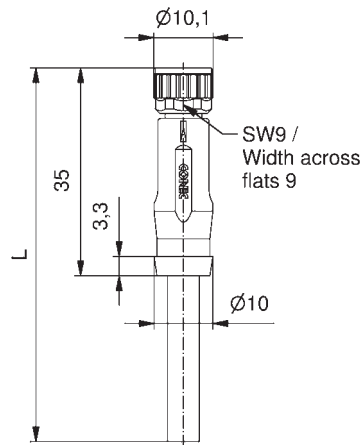


- Pin 1 ■
- Pin 2 ■
- Pin 3 ■
- Pin 4 ■

TPU, UL, halogenfree, black, Li9Y11Y



- Pin 1 ■
- Pin 3 ■
- Pin 4 ■



- Pin 1 ■
- Pin 2 ■
- Pin 3 ■
- Pin 4 ■

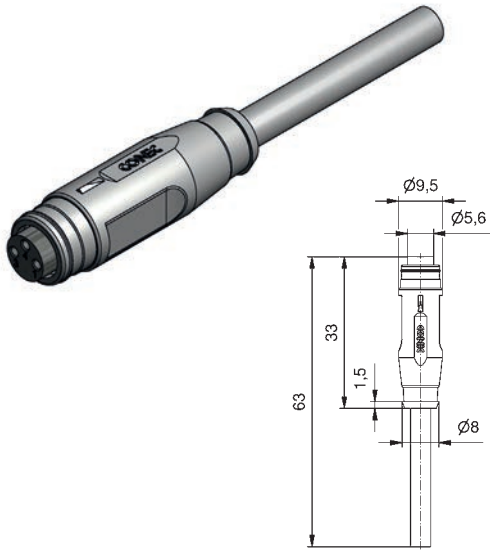
3		50 V AC / 60 V DC	5	0,5	2	SAL-8-RK3-2/K1/05	42-12230
					3	SAL-8-RK3-3/K1/05	42-12231
					5	SAL-8-RK3-5/K1/05	42-12232
					10	SAL-8-RK3-10/K1/05	42-12233
4		50 V AC / 60 V DC	5	0,5	2	SAL-8-RK4-2/K1/05	42-12270
					3	SAL-8-RK4-3/K1/05	42-12271
					5	SAL-8-RK4-5/K1/05	42-12272
					10	SAL-8-RK4-10/K1/05	42-12273

M8x1 CONNECTORS OVERMOULDED Snap-in

Female connector axial

PVC, grey, LiYY

Contact assignment



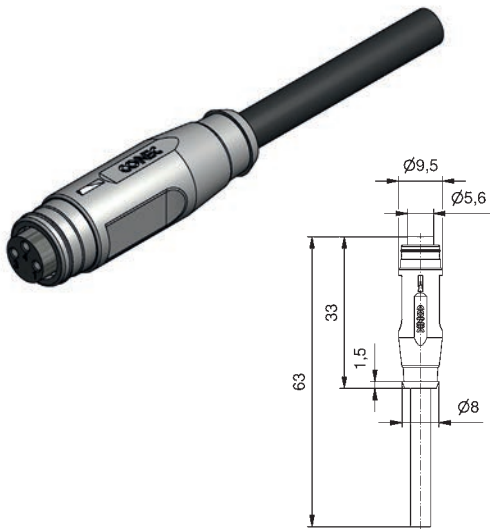
Pin 1 ■
Pin 3 ■
Pin 4 ■

Pin 1 ■
Pin 2 ■
Pin 3 ■
Pin 4 ■

Pin 1 ■
Pin 2 ■
Pin 3 ■
Pin 4 ■
Pin 5 ■

Number of poles	Coding	Rated voltage [V]	Current rating [A]	Cable length = L [m]	Wire cross section [mm ²]	Description	Part No.
3	B	50 V AC / 60 V DC	3	0,25	2	SAL-8-RKS3-2/A1	42-10064
					3	SAL-8-RKS3-3/A1	42-10065
					5	SAL-8-RKS3-5/A1	42-10066
					10	SAL-8-RKS3-10/A1	42-10067
4	B	50 V AC / 60 V DC	3	0,25	2	SAL-8-RKS4-2/A1	42-10096
					3	SAL-8-RKS4-3/A1	42-10097
					5	SAL-8-RKS4-5/A1	42-10098
					10	SAL-8-RKS4-10/A1	42-10099
5	B	30	3	0,25	2	SAL-8B-RKS5.1-2/A1	42-11108
					3	SAL-8B-RKS5.1-3/A1	42-11109
					5	SAL-8B-RKS5.1-5/A1	42-11110
					10	SAL-8B-RKS5.1-10/A1	42-11111

TPU, UL, halogenfree, black, Li9Y11Y



Pin 1 ■
Pin 3 ■
Pin 4 ■

Pin 1 ■
Pin 2 ■
Pin 3 ■
Pin 4 ■

Pin 1 ■
Pin 2 ■
Pin 3 ■
Pin 4 ■
Pin 5 ■

3	B	50 V AC / 60 V DC	3	0,25	2	SAL-8-RKS3-2/K1	42-10068
					3	SAL-8-RKS3-3/K1	42-10069
					5	SAL-8-RKS3-5/K1	42-10070
					10	SAL-8-RKS3-10/K1	42-10071
4	B	50 V AC / 60 V DC	3	0,25	2	SAL-8-RKS4-2/K1	42-10100
					3	SAL-8-RKS4-3/K1	42-10101
					5	SAL-8-RKS4-5/K1	42-10102
					10	SAL-8-RKS4-10/K1	42-10103
5	B	30	3	0,25	2	SAL-8B-RKS5.1-2/K1	42-11100
					3	SAL-8B-RKS5.1-3/K1	42-11101
					5	SAL-8B-RKS5.1-5/K1	42-11102
					10	SAL-8B-RKS5.1-10/K1	42-11103

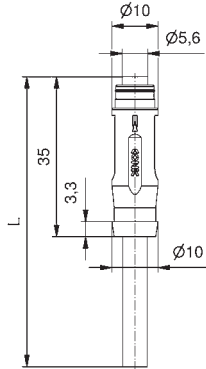
M8x1 CONNECTORS OVERMOULDED
Snap-in, wire cross section 0.5 mm²

Female connector axial

PVC, grey, LiYY

Contact assignment

Number of poles	Coding	Rated voltage [V]	Current rating [A]	Cable length = L [m]	Wire cross section [mm ²]	Description	Part No.
3		50 V AC / 60 V DC	5	0,5	2	SAL-8-RKS3-2 / A1 / 05	42-13043
					3	SAL-8-RKS3-3 / A1 / 05	42-13044
					5	SAL-8-RKS3-5 / A1 / 05	42-13045
					10	SAL-8-RKS3-10 / A1 / 05	42-13046
4		50 V AC / 60 V DC	5	0,5	2	SAL-8-RKS4-2 / A1 / 05	42-13051
					3	SAL-8-RKS4-3 / A1 / 05	42-13052
					5	SAL-8-RKS4-5 / A1 / 05	42-13053
					10	SAL-8-RKS4-10 / A1 / 05	42-13054

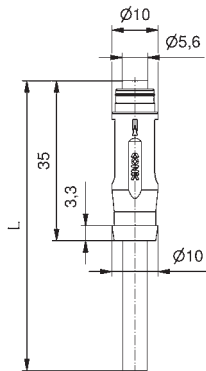


Pin 1
Pin 3
Pin 4

Pin 1
Pin 2
Pin 3
Pin 4

TPU, UL, halogenfree, black, Li9Y11Y

3		50 V AC / 60 V DC	5	0,5	2	SAL-8-RKS3-2 / K1 / 05	42-13047
					3	SAL-8-RKS3-3 / K1 / 05	42-13048
					5	SAL-8-RKS3-5 / K1 / 05	42-13049
					10	SAL-8-RKS3-10 / K1 / 05	42-13050
4		50 V AC / 60 V DC	5	0,5	2	SAL-8-RKS4-2 / K1 / 05	42-13055
					3	SAL-8-RKS4-3 / K1 / 05	42-13056
					5	SAL-8-RKS4-5 / K1 / 05	42-13057
					10	SAL-8-RKS4-10 / K1 / 05	42-13058



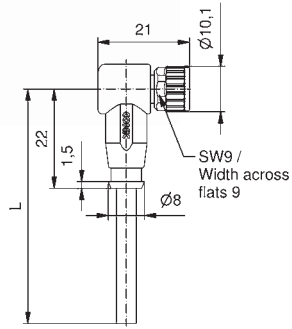
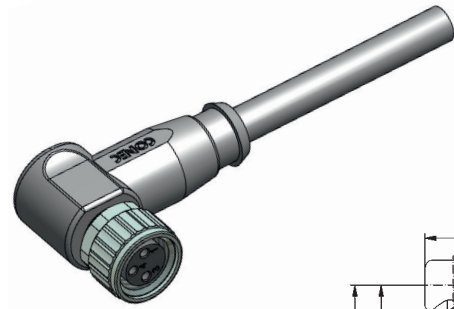
Pin 1
Pin 3
Pin 4

Pin 1
Pin 2
Pin 3
Pin 4

M8x1 CONNECTORS OVERMOULDED Screwable

Female connector angled

PVC, grey, LiYY



Contact assignment

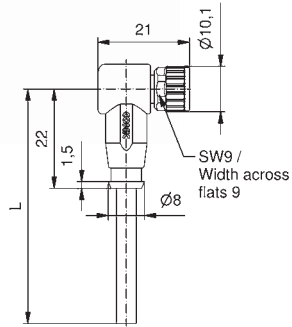
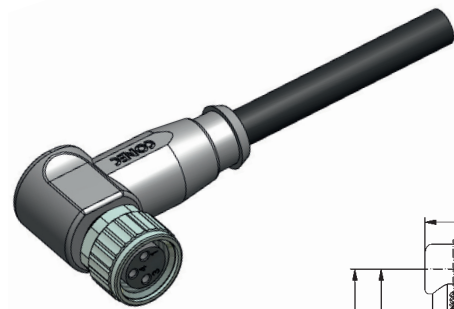
- Pin 1 ■
- Pin 3 ■
- Pin 4 ■

- Pin 1 ■
- Pin 2 ■
- Pin 3 ■
- Pin 4 ■

- Pin 1 ■
- Pin 2 ■
- Pin 3 ■
- Pin 4 ■
- Pin 5 ■

Number of poles	Coding	Rated voltage [V]	Current rating [A]	Cable length = L [m]	Wire cross section [mm ²]	Description	Part No.
3	B	50 V AC / 60 V DC	3	0,25	2	SAL-8-RKW3-2 / A1	42-10016
					3	SAL-8-RKW3-3 / A1	42-10017
					5	SAL-8-RKW3-5 / A1	42-10018
					10	SAL-8-RKW3-10 / A1	42-10019
4	B	50 V AC / 60 V DC	3	0,25	2	SAL-8-RKW4-2 / A1	42-10048
					3	SAL-8-RKW4-3 / A1	42-10049
					5	SAL-8-RKW4-5 / A1	42-10050
					10	SAL-8-RKW4-10 / A1	42-10051
5	B	30	3	0,25	2	SAL-8B-RKW5.1-2 / A1	42-11751
					3	SAL-8B-RKW5.1-3 / A1	42-11752
					5	SAL-8B-RKW5.1-5 / A1	42-11753
					10	SAL-8B-RKW5.1-10 / A1	42-11754

TPU, UL, halogenfree, black, Li9Y11Y



- Pin 1 ■
- Pin 3 ■
- Pin 4 ■

- Pin 1 ■
- Pin 2 ■
- Pin 3 ■
- Pin 4 ■

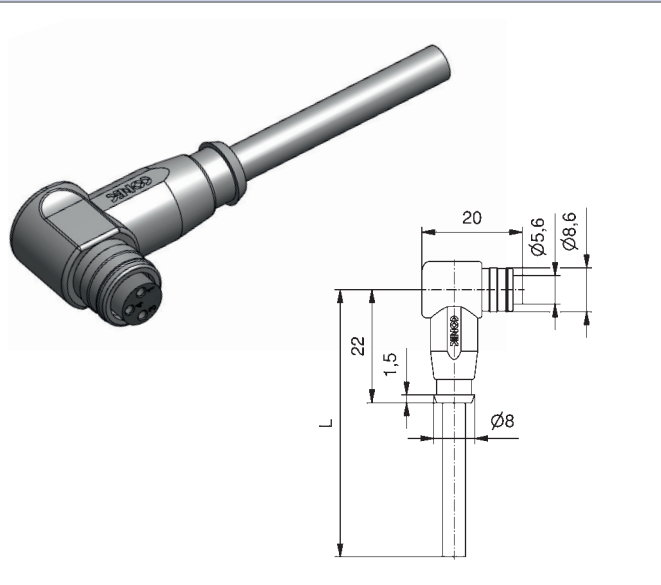
- Pin 1 ■
- Pin 2 ■
- Pin 3 ■
- Pin 4 ■
- Pin 5 ■

3	B	50 V AC / 60 V DC	3	0,25	2	SAL-8-RKW3-2 / K1	42-10020
					3	SAL-8-RKW3-3 / K1	42-10021
					5	SAL-8-RKW3-5 / K1	42-10022
					10	SAL-8-RKW3-10 / K1	42-10023
4	B	50 V AC / 60 V DC	3	0,25	2	SAL-8-RKW4-2 / K1	42-10052
					3	SAL-8-RKW4-3 / K1	42-10053
					5	SAL-8-RKW4-5 / K1	42-10054
					10	SAL-8-RKW4-10 / K1	42-10055
5	B	30	3	0,25	2	SAL-8B-RKW5.1-2 / K1	42-11748
					3	SAL-8B-RKW5.1-3 / K1	42-11749
					5	SAL-8B-RKW5.1-5 / K1	42-11656
					10	SAL-8B-RKW5.1-10 / K1	42-11750

M8x1 CONNECTORS OVERMOULDED Snap-in

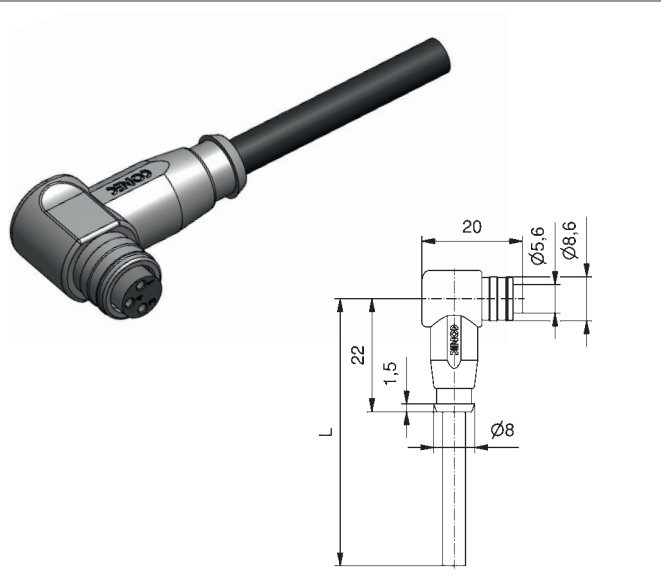
Female connector angled

PVC, grey, LiYY



Contact assignment	Number of poles	Coding	Rated voltage [V]	Current rating [A]	Cable length = L [m]	Wire cross section [mm ²]	Description	Part No.
Pin 1 ■ Pin 3 ■ Pin 4 ■	3		50 V AC / 60 V DC	3	0,25	2	SAL-8-RKWS3-2 / A1	42-10080
						3	SAL-8-RKWS3-3 / A1	42-10081
						5	SAL-8-RKWS3-5 / A1	42-10082
						10	SAL-8-RKWS3-10 / A1	42-10083
Pin 1 ■ Pin 2 ■ Pin 3 ■ Pin 4 ■	4		50 V AC / 60 V DC	3	0,25	2	SAL-8-RKWS4-2 / A1	42-10112
						3	SAL-8-RKWS4-3 / A1	42-10113
						5	SAL-8-RKWS4-5 / A1	42-10114
						10	SAL-8-RKWS4-10 / A1	42-10115

TPU, UL, halogenfree, black, Li9Y11Y



Pin 1 ■ Pin 3 ■ Pin 4 ■	3		50 V AC / 60 V DC	3	0,25	2	SAL-8-RKWS3-2 / K1	42-10084
						3	SAL-8-RKWS3-3 / K1	42-10085
						5	SAL-8-RKWS3-5 / K1	42-10086
						10	SAL-8-RKWS3-10 / K1	42-10087
Pin 1 ■ Pin 2 ■ Pin 3 ■ Pin 4 ■	4		50 V AC / 60 V DC	3	0,25	2	SAL-8-RKWS4-2 / K1	42-10116
						3	SAL-8-RKWS4-3 / K1	42-10117
						5	SAL-8-RKWS4-5 / K1	42-10118
						10	SAL-8-RKWS4-10 / K1	42-10119

M8x1 CONNECTORS OVERMOULDED
Screwable, angled with LED

Female connector angled with 2 LED

PVC, grey, LiYY

Contact assignment

Number of poles

Coding

Rated voltage [V]

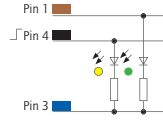
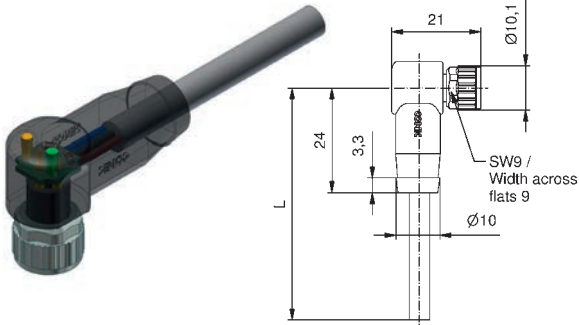
Current rating [A]

Cable length = L [m]

Wire cross section [mm²]

Description

Part No.



3

30

3

0,25

SAL-8-RKW3-2L-2 / A1

42-10452

SAL-8-RKW3-2L-3 / A1

42-10453

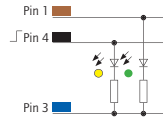
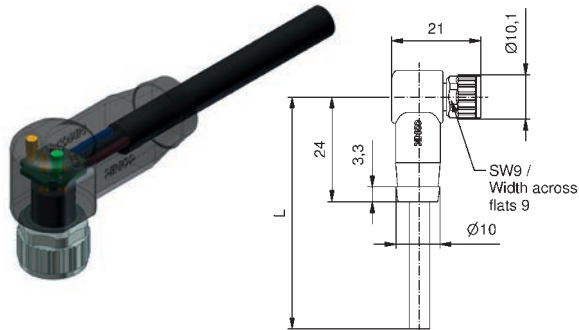
SAL-8-RKW3-2L-5 / A1

42-10454

SAL-8-RKW3-2L-10 / A1

42-10455

TPU, UL, halogenfree, black, Li9Y11Y



3

30

3

0,25

SAL-8-RKW3-2L-2 / K1

42-10456

SAL-8-RKW3-2L-3 / K1

42-10457

SAL-8-RKW3-2L-5 / K1

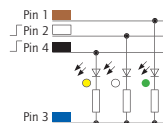
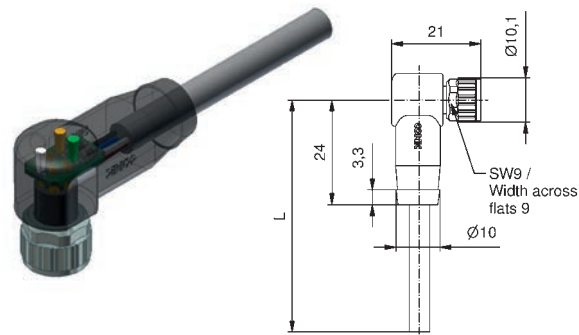
42-10458

SAL-8-RKW3-2L-10 / K1

42-10459

Female connector angled with 3 LED

PVC, grey, LiYY



4

30

3

0,25

SAL-8-RKW4-3L-2 / A1

42-10460

SAL-8-RKW4-3L-3 / A1

42-10461

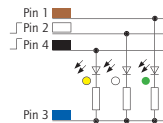
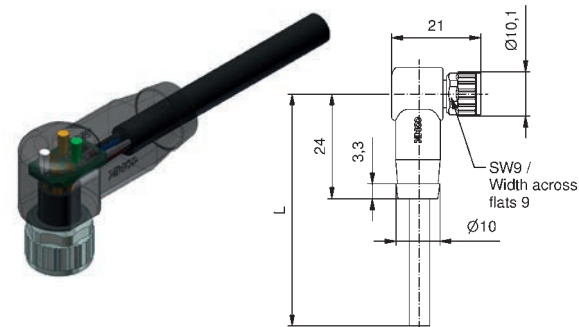
SAL-8-RKW4-3L-5 / A1

42-10462

SAL-8-RKW4-3L-10 / A1

42-10463

TPU, UL, halogenfree, black, Li9Y11Y



4

30

3

0,25

SAL-8-RKW4-3L-2 / K1

42-10464

SAL-8-RKW4-3L-3 / K1

42-10465

SAL-8-RKW4-3L-5 / K1

42-10466

SAL-8-RKW4-3L-10 / K1

42-10467

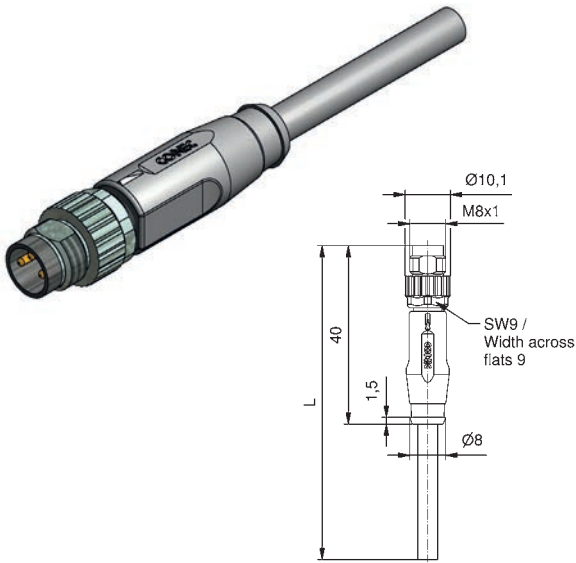
M8x1 CONNECTORS OVERMOULDED Screwable

Male connector axial

PVC, grey, LiYY

Contact assignment

Number of poles	Coding	Rated voltage [V]	Current rating [A]	Cable length = L [m]	Wire cross section [mm ²]	Description	Part No.
3		50 V AC / 60 V DC	3	0,25	2	SAL-8-RS3-2 / A1	42-10008
					3	SAL-8-RS3-3 / A1	42-10009
					5	SAL-8-RS3-5 / A1	42-10010
					10	SAL-8-RS3-10 / A1	42-10011
4		50 V AC / 60 V DC	3	0,25	2	SAL-8-RS4-2 / A1	42-10040
					3	SAL-8-RS4-3 / A1	42-10041
					5	SAL-8-RS4-5 / A1	42-10042
					10	SAL-8-RS4-10 / A1	42-10043
5	B	30	3	0,25	2	SAL-8B-RS5.1-2 / A1	42-11120
					3	SAL-8B-RS5.1-3 / A1	42-11121
					5	SAL-8B-RS5.1-5 / A1	42-11122
					10	SAL-8B-RS5.1-10 / A1	42-11123
8	A	30	1,5	0,14	2	SAL-8-RS8-2 / A1	42-11230
					3	SAL-8-RS8-3 / A1	42-11231
					5	SAL-8-RS8-5 / A1	42-11232
					10	SAL-8-RS8-10 / A1	42-11233



Pin 1 ■
Pin 3 ■
Pin 4 ■

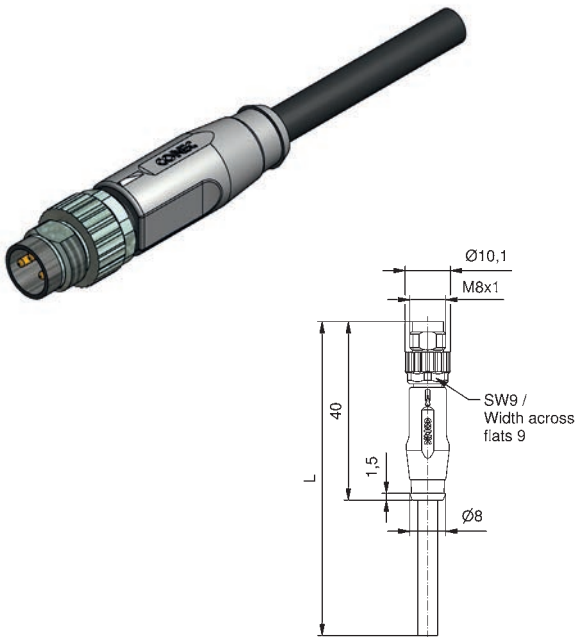
Pin 1 ■
Pin 2 ■
Pin 3 ■
Pin 4 ■

Pin 1 ■
Pin 2 ■
Pin 3 ■
Pin 4 ■
Pin 5 ■

Pin 1 ■
Pin 2 ■
Pin 3 ■
Pin 4 ■
Pin 5 ■
Pin 6 ■
Pin 7 ■
Pin 8 ■

TPU, UL, halogenfree, black, Li9Y11Y

3		50 V AC / 60 V DC	3	0,25	2	SAL-8-RS3-2 / K1	42-10012
					3	SAL-8-RS3-3 / K1	42-10013
					5	SAL-8-RS3-5 / K1	42-10014
					10	SAL-8-RS3-10 / K1	42-10015
4		50 V AC / 60 V DC	3	0,25	2	SAL-8-RS4-2 / K1	42-10044
					3	SAL-8-RS4-3 / K1	42-10045
					5	SAL-8-RS4-5 / K1	42-10046
					10	SAL-8-RS4-10 / K1	42-10047
5	B	30	3	0,25	2	SAL-8B-RS5.1-2 / K1	42-11112
					3	SAL-8B-RS5.1-3 / K1	42-11113
					5	SAL-8B-RS5.1-5 / K1	42-11114
					10	SAL-8B-RS5.1-10 / K1	42-11115
5	B	30	3x1,5 2x3	3x0,14 2x0,34	2	SAL-8B-RS5.1-2 / H5	42-13035
					3	SAL-8B-RS5.1-3 / H5	42-13036
					5	SAL-8B-RS5.1-5 / H5	42-13037
					10	SAL-8B-RS5.1-10 / H5	42-13038
8	A	30	1,5	0,14	2	SAL-8-RS8-2 / K1	42-11179
					3	SAL-8-RS8-3 / K1	42-11180
					5	SAL-8-RS8-5 / K1	42-11181
					10	SAL-8-RS8-10 / K1	42-11182



Pin 1 ■
Pin 3 ■
Pin 4 ■

Pin 1 ■
Pin 2 ■
Pin 3 ■
Pin 4 ■

Pin 1 ■
Pin 2 ■
Pin 3 ■
Pin 4 ■
Pin 5 ■

Pin 1 ■
Pin 2 ■
Pin 3 ■
Pin 4 ■
Pin 5 ■

Pin 1 ■
Pin 2 ■
Pin 3 ■
Pin 4 ■
Pin 5 ■
Pin 6 ■
Pin 7 ■
Pin 8 ■

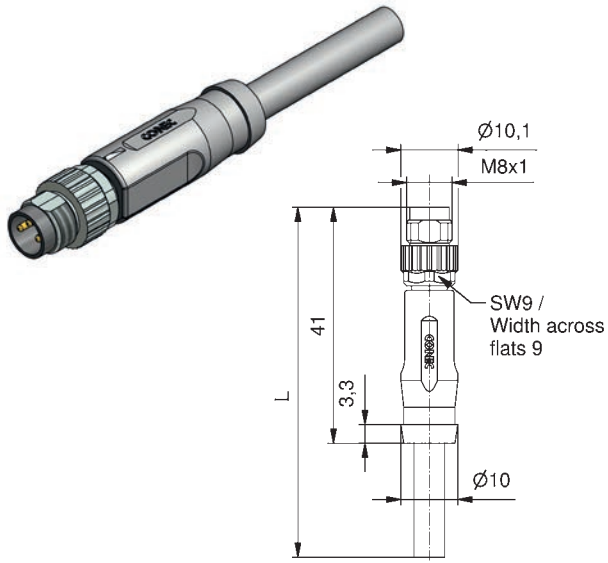
M8x1 CONNECTORS OVERMOULDED
Screwable, wire cross section 0.5 mm²

Male connector axial

PVC, grey, LiYY

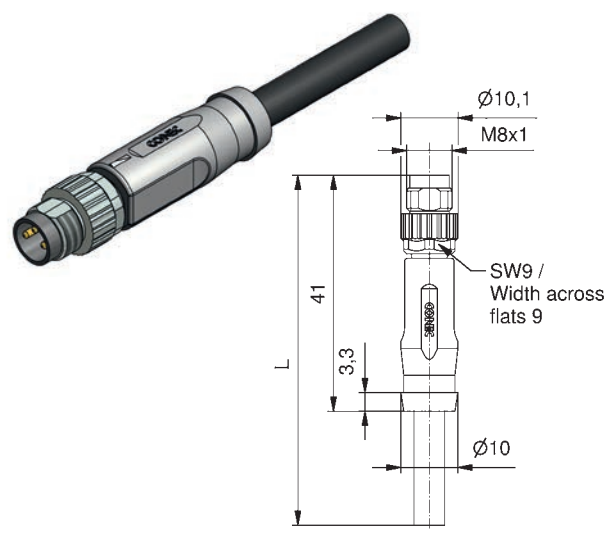
Contact assignment

Number of poles	Coding	Rated voltage [V]	Current rating [A]	Cable length = L [m]	Wire cross section [mm ²]	Description	Part No.
3		50 V AC / 60 V DC	5	0,5	2	SAL-8-RS3-2/A1/05	42-12234
					3	SAL-8-RS3-3/A1/05	42-12235
					5	SAL-8-RS3-5/A1/05	42-12236
					10	SAL-8-RS3-10/A1/05	42-12237
4		50 V AC / 60 V DC	5	0,5	2	SAL-8-RS4-2/A1/05	42-12274
					3	SAL-8-RS4-3/A1/05	42-12275
					5	SAL-8-RS4-5/A1/05	42-12276
					10	SAL-8-RS4-10/A1/05	42-12277



TPU, UL, halogenfree, black, Li9Y11Y

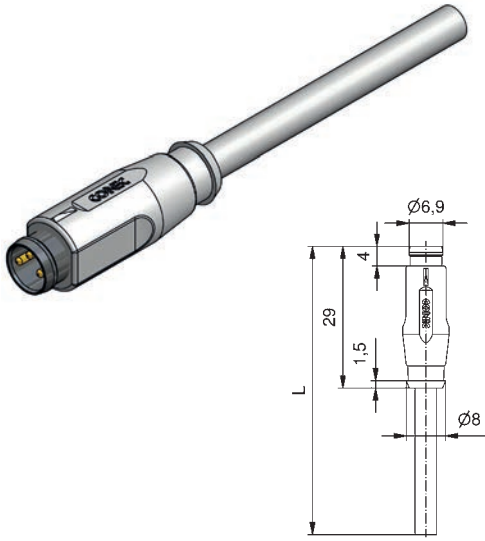
3		50 V AC / 60 V DC	5	0,5	2	SAL-8-RS3-2/K1/05	42-12238
					3	SAL-8-RS3-3/K1/05	42-12239
					5	SAL-8-RS3-5/K1/05	42-12240
					10	SAL-8-RS3-10/K1/05	42-12241
4		50 V AC / 60 V DC	5	0,5	2	SAL-8-RS4-2/K1/05	42-12278
					3	SAL-8-RS4-3/K1/05	42-12279
					5	SAL-8-RS4-5/K1/05	42-12280
					10	SAL-8-RS4-10/K1/05	42-12281



M8x1 CONNECTORS OVERMOULDED Snap-in

Male connector axial

PVC, grey, LiYY



Contact assignment

Pin 1 ■
Pin 3 ■
Pin 4 ■

Pin 1 ■
Pin 2 ■
Pin 3 ■
Pin 4 ■

Pin 1 ■
Pin 2 ■
Pin 3 ■
Pin 4 ■
Pin 5 ■

Number of poles	Coding	Rated voltage [V]	Current rating [A]	Cable length = L [m]	Wire cross section [mm ²]	Description	Part No.
3	B	50 V AC / 60 V DC	3	0,25	2	SAL-8-RSS3-2/A1	42-10532
					3	SAL-8-RSS3-3/A1	42-10746
					5	SAL-8-RSS3-5/A1	42-10747
					10	SAL-8-RSS3-10/A1	42-10748
4	B	50 V AC / 60 V DC	3	0,25	2	SAL-8-RSS4-2/A1	42-10531
					3	SAL-8-RSS4-3/A1	42-10749
					5	SAL-8-RSS4-5/A1	42-10750
					10	SAL-8-RSS4-10/A1	42-10751
5	B	30	3	0,25	2	SAL-8B-RSS5.1-2/A1	42-11124
					3	SAL-8B-RSS5.1-3/A1	42-11125
					5	SAL-8B-RSS5.1-5/A1	42-11126
					10	SAL-8B-RSS5.1-10/A1	42-11127

TPU, UL, halogenfree, black, Li9Y11Y



Pin 1 ■
Pin 3 ■
Pin 4 ■

Pin 1 ■
Pin 2 ■
Pin 3 ■
Pin 4 ■

Pin 1 ■
Pin 2 ■
Pin 3 ■
Pin 4 ■
Pin 5 ■

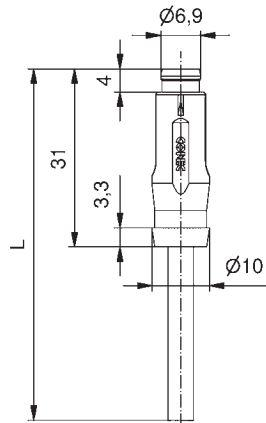
3	B	50 V AC / 60 V DC	3	0,25	2	SAL-8-RSS3-2/K1	42-10760
					3	SAL-8-RSS3-3/K1	42-10761
					5	SAL-8-RSS3-5/K1	42-10762
					10	SAL-8-RSS3-10/K1	42-10763
4	B	50 V AC / 60 V DC	3	0,25	2	SAL-8-RSS4-2/K1	42-10764
					3	SAL-8-RSS4-3/K1	42-10765
					5	SAL-8-RSS4-5/K1	42-10766
					10	SAL-8-RSS4-10/K1	42-10767
5	B	30	3	0,25	2	SAL-8B-RSS5.1-2/K1	42-11116
					3	SAL-8B-RSS5.1-3/K1	42-11117
					5	SAL-8B-RSS5.1-5/K1	42-11118
					10	SAL-8B-RSS5.1-10/K1	42-11119

M8x1 CONNECTORS OVERMOULDED
Snap-in, wire cross section 0.5 mm²

Male connector axial

PVC, grey, LiYY

Contact assignment

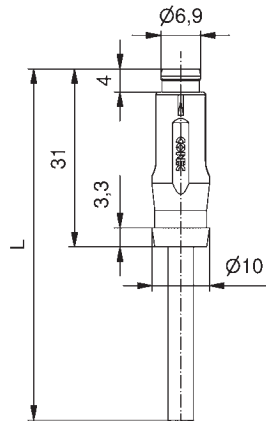


Pin 1 ■
Pin 3 ■
Pin 4 ■

Pin 1 ■
Pin 2 ■
Pin 3 ■
Pin 4 ■

Number of poles	Coding	Rated voltage [V]	Current rating [A]	Cable length = L [m]	Wire cross section [mm ²]	Description	Part No.
3		50 V AC / 60 V DC	5	0,5	2	SAL-8-RSS3-2 / A1 / 05	42-13059
					3	SAL-8-RSS3-3 / A1 / 05	42-13060
					5	SAL-8-RSS3-5 / A1 / 05	42-13061
					10	SAL-8-RSS3-10 / A1 / 05	42-13062
4		50 V AC / 60 V DC	5	0,5	2	SAL-8-RSS4-2 / A1 / 05	42-13067
					3	SAL-8-RSS4-3 / A1 / 05	42-13068
					5	SAL-8-RSS4-5 / A1 / 05	42-13069
					10	SAL-8-RSS4-10 / A1 / 05	42-13070

TPU, UL, halogenfree, black, Li9Y11Y



Pin 1 ■
Pin 3 ■
Pin 4 ■

Pin 1 ■
Pin 2 ■
Pin 3 ■
Pin 4 ■

3		50 V AC / 60 V DC	5	0,5	2	SAL-8-RSS3-2 / K1 / 05	42-13063
					3	SAL-8-RSS3-3 / K1 / 05	42-13064
					5	SAL-8-RSS3-5 / K1 / 05	42-13065
					10	SAL-8-RSS3-10 / K1 / 05	42-13066
4		50 V AC / 60 V DC	5	0,5	2	SAL-8-RSS4-2 / K1 / 05	42-13071
					3	SAL-8-RSS4-3 / K1 / 05	42-13072
					5	SAL-8-RSS4-5 / K1 / 05	42-13073
					10	SAL-8-RSS4-10 / K1 / 05	42-13074

M8x1 CONNECTORS OVERMOULDED

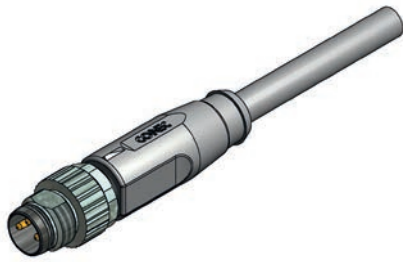
Screwable/snap-in

Male connector axial

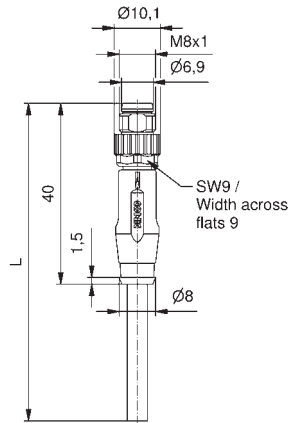
PVC, grey, LiYY

Contact assignment

Number of poles	Coding	Rated voltage [V]	Current rating [A]	Cable length = L [m]	Wire cross section [mm ²]	Description	Part No.
3		50 V AC / 60 V DC	3	0,25	2	SAL-8-RSU3-2 / A1	42-10072
					3	SAL-8-RSU3-3 / A1	42-10073
					5	SAL-8-RSU3-5 / A1	42-10074
					10	SAL-8-RSU3-10 / A1	42-10075
					2	SAL-8-RSU4-2 / A1	42-10104
4		50 V AC / 60 V DC	3	0,25	3	SAL-8-RSU4-3 / A1	42-10105
					5	SAL-8-RSU4-5 / A1	42-10106
					10	SAL-8-RSU4-10 / A1	42-10107



- Pin 1 ■
- Pin 3 ■
- Pin 4 ■

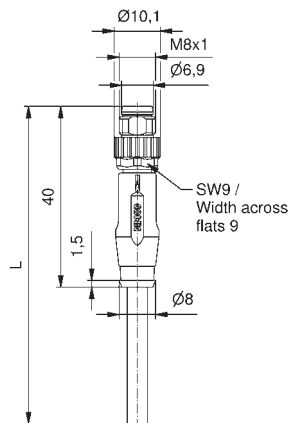


- Pin 1 ■
- Pin 2 ■
- Pin 3 ■
- Pin 4 ■

TPU, UL, halogenfree, black, Li9Y11Y



- Pin 1 ■
- Pin 3 ■
- Pin 4 ■



- Pin 1 ■
- Pin 2 ■
- Pin 3 ■
- Pin 4 ■

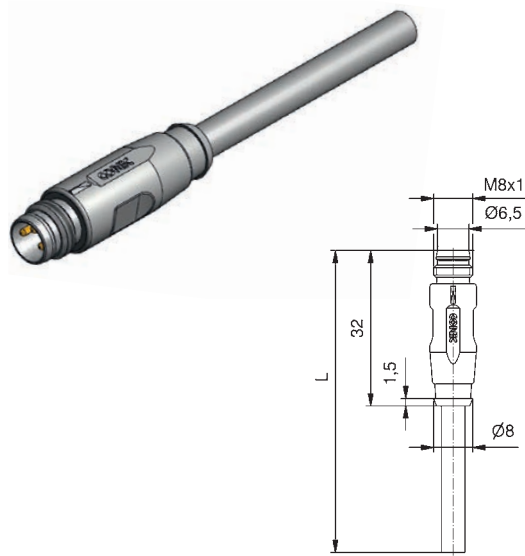
3		50 V AC / 60 V DC	3	0,25	2	SAL-8-RSU3-2 / K1	42-10076
					3	SAL-8-RSU3-3 / K1	42-10077
					5	SAL-8-RSU3-5 / K1	42-10078
					10	SAL-8-RSU3-10 / K1	42-10079
					2	SAL-8-RSU4-2 / K1	42-10108
4		50 V AC / 60 V DC	3	0,25	3	SAL-8-RSU4-3 / K1	42-10109
					5	SAL-8-RSU4-5 / K1	42-10110
					10	SAL-8-RSU4-10 / K1	42-10111

M8x1 CONNECTORS OVERMOULDED

Screwable/snap-in , thread fixed

Male connector axial

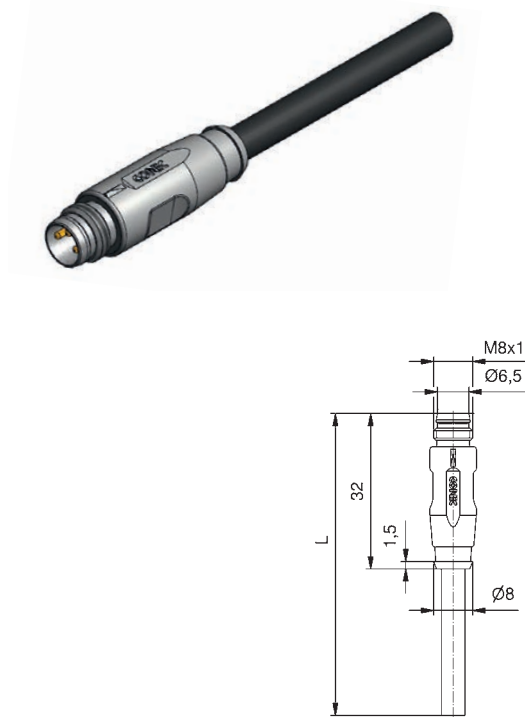
PVC, grey, LiYY



Contact assignment

Number of poles	Coding	Rated voltage [V]	Current rating [A]	Cable length = L [m]	Wire cross section [mm ²]	Description	Part No.
3	B	50 V AC / 60 V DC	3	0,5	0,25	SAL-8-RSFU3-0,5/A1	42-11187
						SAL-8-RSFU3-1/A1	42-11188
						SAL-8-RSFU3-2/A1	42-11189
						SAL-8-RSFU3-3/A1	42-11190
4	B	50 V AC / 60 V DC	3	0,5	0,25	SAL-8-RSFU4-0,5/A1	42-11195
						SAL-8-RSFU4-1/A1	42-11196
						SAL-8-RSFU4-2/A1	42-11197
						SAL-8-RSFU4-3/A1	42-11198
5	B	30	3	0,5	0,25	SAL-8B-RSFU5.1-0,5/A1	42-12173
						SAL-8B-RSFU5.1-1/A1	42-12174
						SAL-8B-RSFU5.1-2/A1	42-12175
						SAL-8B-RSFU5.1-3/A1	42-12176

TPU, UL, halogenfree, black, Li9Y11Y



3	B	50 V AC / 60 V DC	3	0,5	0,25	SAL-8-RSFU3-0,5/K1	42-11191
						SAL-8-RSFU3-1/K1	42-11192
						SAL-8-RSFU3-2/K1	42-11193
						SAL-8-RSFU3-3/K1	42-11194
4	B	50 V AC / 60 V DC	3	0,5	0,25	SAL-8-RSFU4-0,5/K1	42-11199
						SAL-8-RSFU4-1/K1	42-11200
						SAL-8-RSFU4-2/K1	42-11201
						SAL-8-RSFU4-3/K1	42-11202
5	B	30	3	0,5	0,25	SAL-8B-RSFU5.1-0,5/K1	42-12177
						SAL-8B-RSFU5.1-1/K1	42-12178
						SAL-8B-RSFU5.1-2/K1	42-12179
						SAL-8B-RSFU5.1-3/K1	42-12180
5	B	30	3x1,5 2x3	0,5	3x0,14 2x0,34	SAL-8B-RSFU5.1-0,5/H5	42-12181
						SAL-8B-RSFU5.1-1/H5	42-12182
						SAL-8B-RSFU5.1-2/H5	42-12183
						SAL-8B-RSFU5.1-3/H5	42-12184

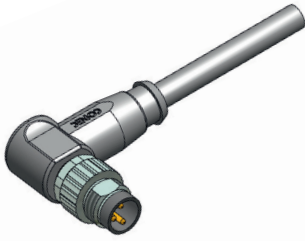
M8x1 CONNECTORS OVERMOULDED Screwable

Male connector angled

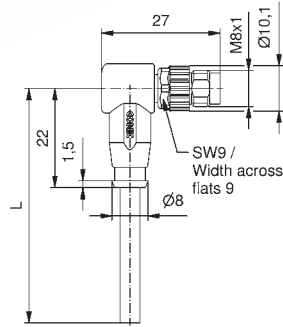
PVC, grey, LiYY

Contact assignment

Number of poles	Coding	Rated voltage [V]	Current rating [A]	Cable length = L [m]	Wire cross section [mm ²]	Description	Part No.
3		50 V AC / 60 V DC	3	0,25	2	SAL-8-RSW3-2 / A1	42-10024
					3	SAL-8-RSW3-3 / A1	42-10025
					5	SAL-8-RSW3-5 / A1	42-10026
					10	SAL-8-RSW3-10 / A1	42-10027
4		50 V AC / 60 V DC	3	0,25	2	SAL-8-RSW4-2 / A1	42-10056
					3	SAL-8-RSW4-3 / A1	42-10057
					5	SAL-8-RSW4-5 / A1	42-10058
					10	SAL-8-RSW4-10 / A1	42-10059



Pin 1 
Pin 3 
Pin 4 

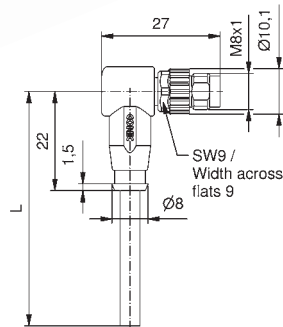


Pin 1 
Pin 2 
Pin 3 
Pin 4 

TPU, UL, halogenfree, black, Li9Y11Y



Pin 1 
Pin 3 
Pin 4 



Pin 1 
Pin 2 
Pin 3 
Pin 4 

3		50 V AC / 60 V DC	3	0,25	2	SAL-8-RSW3-2 / K1	42-10028
					3	SAL-8-RSW3-3 / K1	42-10029
					5	SAL-8-RSW3-5 / K1	42-10030
					10	SAL-8-RSW3-10 / K1	42-10031
4		50 V AC / 60 V DC	3	0,25	2	SAL-8-RSW4-2 / K1	42-10060
					3	SAL-8-RSW4-3 / K1	42-10061
					5	SAL-8-RSW4-5 / K1	42-10062
					10	SAL-8-RSW4-10 / K1	42-10063

M8x1 CONNECTORS OVERMOULDED

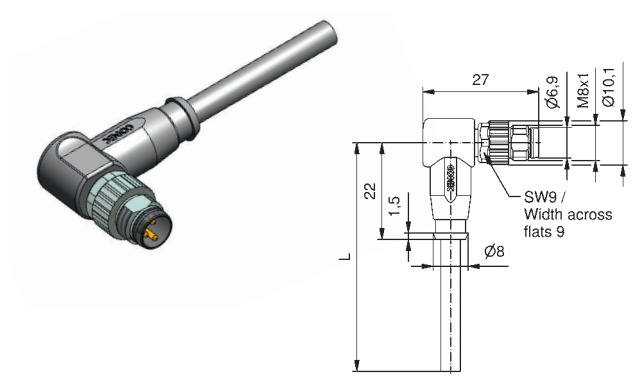
Screwable/snap-in

Male connector angled

PVC, grey, LiYY

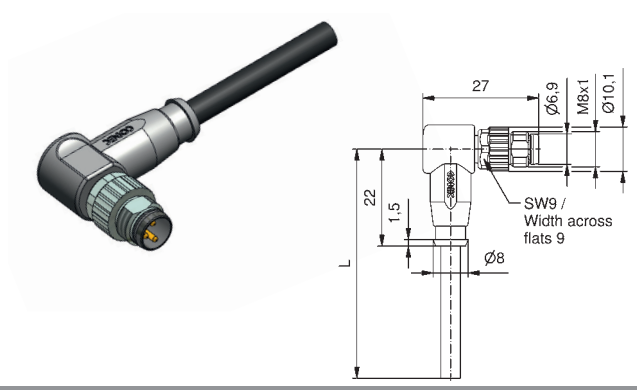
Contact assignment

Number of poles	Coding	Rated voltage [V]	Current rating [A]	Cable length = L [m]	Wire cross section [mm ²]	Description	Part No.
3		50 V AC / 60 V DC	3	0,25	2	SAL-8-RSWU3-2/A1	42-10088
					3	SAL-8-RSWU3-3/A1	42-10089
					5	SAL-8-RSWU3-5/A1	42-10090
					10	SAL-8-RSWU3-10/A1	42-10091
4		50 V AC / 60 V DC	3	0,25	2	SAL-8-RSWU4-2/A1	42-10120
					3	SAL-8-RSWU4-3/A1	42-10121
					5	SAL-8-RSWU4-5/A1	42-10122
					10	SAL-8-RSWU4-10/A1	42-10123



TPU, UL, halogenfree, black, Li9Y11Y

3		50 V AC / 60 V DC	3	0,25	2	SAL-8-RSWU3-2/K1	42-10092
					3	SAL-8-RSWU3-3/K1	42-10093
					5	SAL-8-RSWU3-5/K1	42-10094
					10	SAL-8-RSWU3-10/K1	42-10095
4		50 V AC / 60 V DC	3	0,25	2	SAL-8-RSWU4-2/K1	42-10124
					3	SAL-8-RSWU4-3/K1	42-10125
					5	SAL-8-RSWU4-5/K1	42-10126
					10	SAL-8-RSWU4-10/K1	42-10127

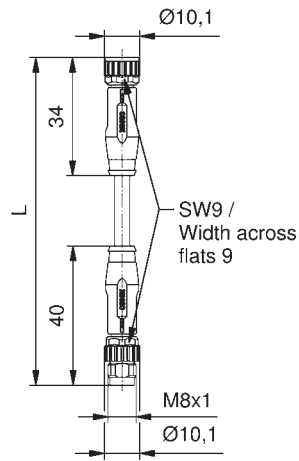







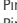





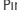

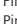



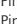


M8x1 CONNECTORS OVERMOULDED

Connecting cable

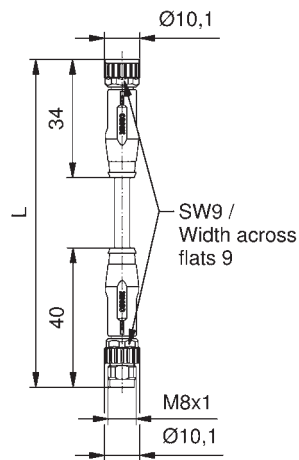
Female connector axial, screwable
Male connector axial, screwable











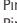




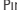




PVC, grey, LiYY



Contact assignment	Number of poles	Coding	Rated voltage [V]	Current rating [A]	Cable length = L [m]	Wire cross section [mm ²]	Description	Part No.
Pin 1  Pin 3  Pin 4 	3		50 V AC / 60 V DC	3	0,25	0,3	SAL-8-RK3-RS3-0,3/A1	42-10141
							SAL-8-RK3-RS3-0,6/A1	42-10142
							SAL-8-RK3-RS3-1,5/A1	42-10143
							SAL-8-RK3-RS3-3/A1	42-10144
Pin 1  Pin 2  Pin 3  Pin 4 	4		50 V AC / 60 V DC	3	0,25	0,3	SAL-8-RK4-RS4-0,3/A1	42-10157
							SAL-8-RK4-RS4-0,6/A1	42-10158
							SAL-8-RK4-RS4-1,5/A1	42-10159
							SAL-8-RK4-RS4-3/A1	42-10160
Pin 1  Pin 2  Pin 3  Pin 4  Pin 5 	5	B	30	3	0,25	0,3	SAL-8B-RK5.1-RS5.1-0,3/A1	42-11141
							SAL-8B-RK5.1-RS5.1-0,6/A1	42-11142
							SAL-8B-RK5.1-RS5.1-1,5/A1	42-11143
							SAL-8B-RK5.1-RS5.1-3/A1	42-11144
Pin 1  Pin 2  Pin 3  Pin 4  Pin 5  Pin 6  Pin 7  Pin 8 	8	A	30	1,5	0,14	0,3	SAL-8-RK8-RS8-0,3/A1	42-11234
							SAL-8-RK8-RS8-0,6/A1	42-11235
							SAL-8-RK8-RS8-1,5/A1	42-11236
							SAL-8-RK8-RS8-3/A1	42-11237

TPU, UL, halogenfree, black, LiY11Y



Pin 1  Pin 3  Pin 4 	3		50 V AC / 60 V DC	3	0,25	0,3	SAL-8-RK3-RS3-0,3/K1	42-10145
							SAL-8-RK3-RS3-0,6/K1	42-10146
							SAL-8-RK3-RS3-1,5/K1	42-10147
							SAL-8-RK3-RS3-3/K1	42-10148
Pin 1  Pin 2  Pin 3  Pin 4 	4		50 V AC / 60 V DC	3	0,25	0,3	SAL-8-RK4-RS4-0,3/K1	42-10161
							SAL-8-RK4-RS4-0,6/K1	42-10162
							SAL-8-RK4-RS4-1,5/K1	42-10163
							SAL-8-RK4-RS4-3/K1	42-10164
Pin 1  Pin 2  Pin 3  Pin 4  Pin 5 	5	B	30	3	0,25	0,3	SAL-8B-RK5.1-RS5.1-0,3/K1	42-11128
							SAL-8B-RK5.1-RS5.1-0,6/K1	42-11129
							SAL-8B-RK5.1-RS5.1-1,5/K1	42-11130
							SAL-8B-RK5.1-RS5.1-3/K1	42-11131
Pin 1  Pin 2  Pin 3  Pin 4  Pin 5  Pin 6  Pin 7  Pin 8 	8	A	30	1,5	0,14	0,3	SAL-8-RK8-RS8-0,3/K1	42-11183
							SAL-8-RK8-RS8-0,6/K1	42-11184
							SAL-8-RK8-RS8-1,5/K1	42-11185
							SAL-8-RK8-RS8-3/K1	42-11186

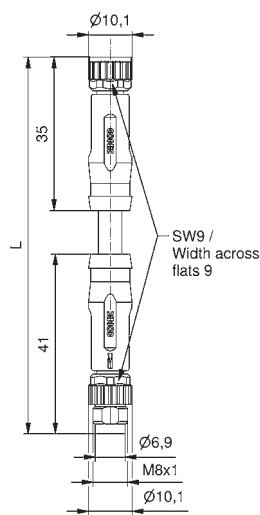
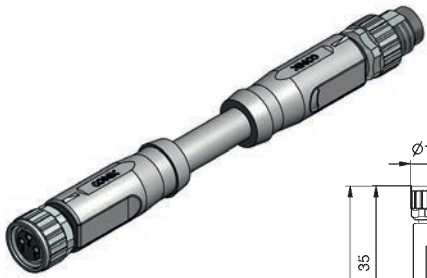
M8x1 CONNECTORS OVERMOULDED
Connecting cable, wire cross section 0.5 mm²

Female connector axial, screwable
Male connector axial, screwable

PVC, grey, LiYY

Contact assignment

Number of poles	Coding	Rated voltage [V]	Current rating [A]	Cable length = L [m]	Wire cross section [mm ²]	Description	Part No.
3		50 V AC / 60 V DC	5	0,3	0,5	SAL-8-RK3-RS3-0,3 / A1 / 05	42-12242
						SAL-8-RK3-RS3-0,6 / A1 / 05	42-12243
						SAL-8-RK3-RS3-1,5 / A1 / 05	42-12244
						SAL-8-RK3-RS3-3 / A1 / 05	42-12245
4		50 V AC / 60 V DC	5	0,3	0,5	SAL-8-RK4-RS4-0,3 / A1 / 05	42-12250
						SAL-8-RK4-RS4-0,6 / A1 / 05	42-12251
						SAL-8-RK4-RS4-1,5 / A1 / 05	42-12252
						SAL-8-RK4-RS4-3 / A1 / 05	42-12253

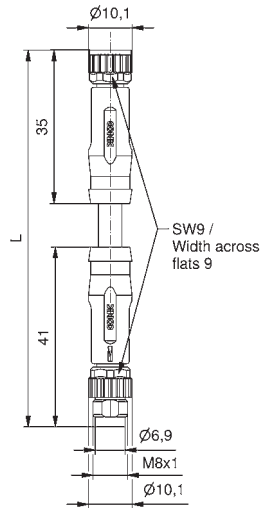


Pin 1 ■
Pin 3 ■
Pin 4 ■

Pin 1 ■
Pin 2 ■
Pin 3 ■
Pin 4 ■

TPU, UL, halogenfree, black, Li9Y11Y

3		50 V AC / 60 V DC	5	0,3	0,5	SAL-8-RK3-RS3-0,3 / K1 / 05	42-12246
						SAL-8-RK3-RS3-0,6 / K1 / 05	42-12247
						SAL-8-RK3-RS3-1,5 / K1 / 05	42-12248
						SAL-8-RK3-RS3-3 / K1 / 05	42-12249
4		50 V AC / 60 V DC	5	0,3	0,5	SAL-8-RK4-RS4-0,3 / K1 / 05	42-12254
						SAL-8-RK4-RS4-0,6 / K1 / 05	42-12255
						SAL-8-RK4-RS4-1,5 / K1 / 05	42-12256
						SAL-8-RK4-RS4-3 / K1 / 05	42-12257



Pin 1 ■
Pin 3 ■
Pin 4 ■

Pin 1 ■
Pin 2 ■
Pin 3 ■
Pin 4 ■

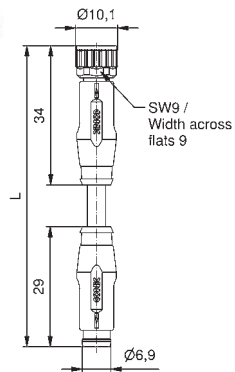
M8x1 CONNECTORS OVERMOULDED

Connecting cable

Female connector axial, screwable

Male connector axial, snap-in

PVC, grey, LiYY



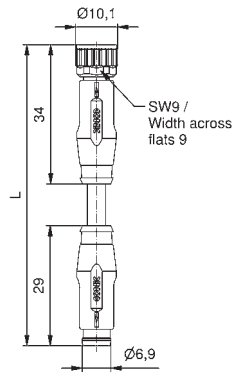
Contact assignment

Pin 1
Pin 3
Pin 4

Pin 1
Pin 2
Pin 3
Pin 4

Number of poles	Coding	Rated voltage [V]	Current rating [A]	Cable length = L [m]	Wire cross section [mm ²]	Description	Part No.
3		50 V AC / 60 V DC	3	0,3	0,25	SAL-8-RK3-RSS3-0,3/A1	42-10827
						SAL-8-RK3-RSS3-0,6/A1	42-10828
						SAL-8-RK3-RSS3-1,5/A1	42-10829
						SAL-8-RK3-RSS3-3/A1	42-10830
4		50 V AC / 60 V DC	3	0,3	0,25	SAL-8-RK4-RSS4-0,3/A1	42-10835
						SAL-8-RK4-RSS4-0,6/A1	42-10836
						SAL-8-RK4-RSS4-1,5/A1	42-10837
						SAL-8-RK4-RSS4-3/A1	42-10838

TPU, UL, halogenfree, black, Li9Y11Y



Pin 1
Pin 3
Pin 4

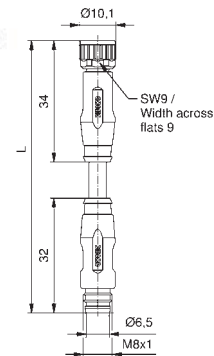
Pin 1
Pin 2
Pin 3
Pin 4

3		50 V AC / 60 V DC	3	0,3	0,25	SAL-8-RK3-RSS3-0,3/K1	42-10831
						SAL-8-RK3-RSS3-0,6/K1	42-10832
						SAL-8-RK3-RSS3-1,5/K1	42-10833
						SAL-8-RK3-RSS3-3/K1	42-10834
4		50 V AC / 60 V DC	3	0,3	0,25	SAL-8-RK4-RSS4-0,3/K1	42-10839
						SAL-8-RK4-RSS4-0,6/K1	42-10840
						SAL-8-RK4-RSS4-1,5/K1	42-10841
						SAL-8-RK4-RSS4-3/K1	42-10842

Female connector axial, screwable

Male connector axial, screwable/snap-in, thread fixed

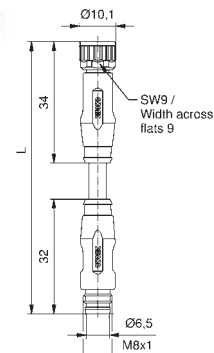
PVC, grey, LiYY



Pin 1
Pin 3
Pin 4

3		50 V AC / 60 V DC	3	0,3	0,25	SAL-8-RK3-RSFU3-0,3/A1	42-11203
						SAL-8-RK3-RSFU3-0,6/A1	42-11204
						SAL-8-RK3-RSFU3-1,5/A1	42-11205
						SAL-8-RK3-RSFU3-3/A1	42-11206

TPU, UL, halogenfree, black, Li9Y11Y



Pin 1
Pin 3
Pin 4

3		50 V AC / 60 V DC	3	0,3	0,25	SAL-8-RK3-RSFU3-0,3/K1	42-11207
						SAL-8-RK3-RSFU3-0,6/K1	42-11208
						SAL-8-RK3-RSFU3-1,5/K1	42-11209
						SAL-8-RK3-RSFU3-3/K1	42-11210

M8x1 CONNECTORS OVERMOULDED

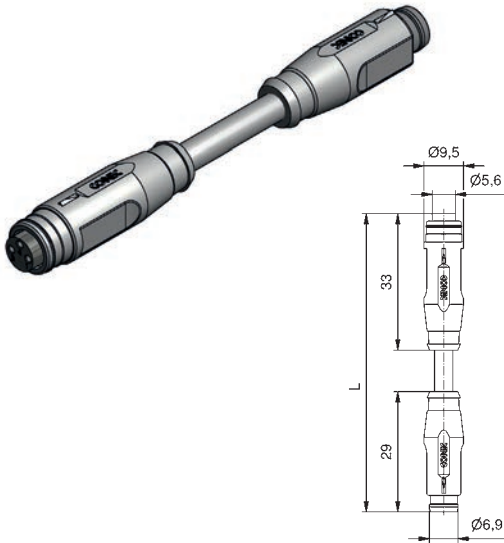
Connecting cable

Female connector axial, snap-in
Male connector axial, snap-in

PVC, grey, LiYY

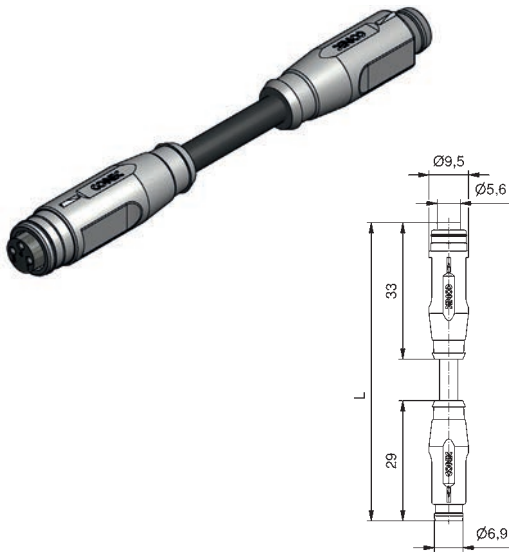
Contact assignment

Number of poles	Coding	Rated voltage [V]	Current rating [A]	Cable length = L [m]	Wire cross section [mm ²]	Description	Part No.
3		50 V AC / 60 V DC	3	0,3	0,25	SAL-8-RKS3-RSS3-0,3/A1	42-10811
						SAL-8-RKS3-RSS3-0,6/A1	42-10812
						SAL-8-RKS3-RSS3-1,5/A1	42-10813
						SAL-8-RKS3-RSS3-3/A1	42-10814
4		50 V AC / 60 V DC	3	0,3	0,25	SAL-8-RKS4-RSS4-0,3/A1	42-10819
						SAL-8-RKS4-RSS4-0,6/A1	42-10820
						SAL-8-RKS4-RSS4-1,5/A1	42-10821
						SAL-8-RKS4-RSS4-3/A1	42-10822
5	B	30	3	0,3	0,25	SAL-8B-RKS5.1-RSS5.1-0,3/A1	42-11136
						SAL-8B-RKS5.1-RSS5.1-0,6/A1	42-11137
						SAL-8B-RKS5.1-RSS5.1-1,5/A1	42-11138
						SAL-8B-RKS5.1-RSS5.1-3/A1	42-11139



TPU, UL, halogenfree, black, Li9Y11Y

3		50 V AC / 60 V DC	3	0,3	0,25	SAL-8-RKS3-RSS3-0,3/K1	42-10815
						SAL-8-RKS3-RSS3-0,6/K1	42-10816
						SAL-8-RKS3-RSS3-1,5/K1	42-10817
						SAL-8-RKS3-RSS3-3/K1	42-10818
4		50 V AC / 60 V DC	3	0,3	0,25	SAL-8-RKS4-RSS4-0,3/K1	42-10823
						SAL-8-RKS4-RSS4-0,6/K1	42-10824
						SAL-8-RKS4-RSS4-1,5/K1	42-10825
						SAL-8-RKS4-RSS4-3/K1	42-10826
5	B	30	3	0,3	0,25	SAL-8B-RKS5.1-RSS5.1-0,3/K1	42-11132
						SAL-8B-RKS5.1-RSS5.1-0,6/K1	42-11133
						SAL-8B-RKS5.1-RSS5.1-1,5/K1	42-11134
						SAL-8B-RKS5.1-RSS5.1-3/K1	42-11135



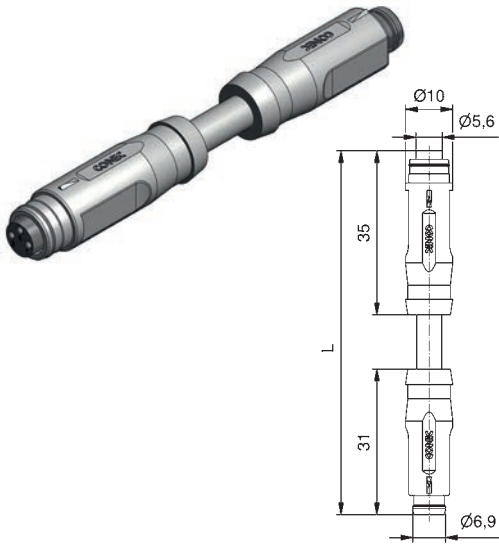
M8x1 CONNECTORS OVERMOULDED
Connecting cable, wire cross section 0.5 mm²

Female connector axial, snap-in
Male connector axial, snap-in

PVC, grey, LiYY

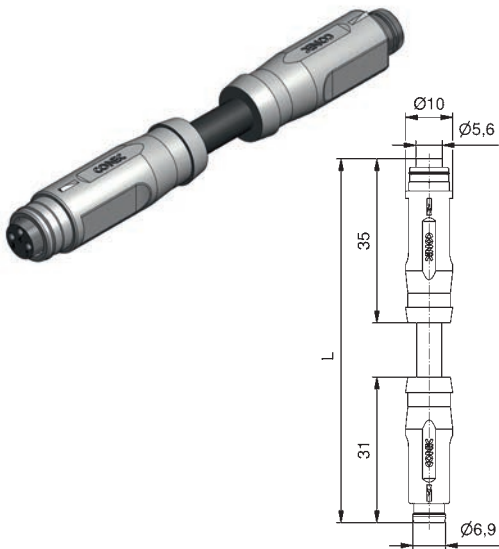
Contact assignment

Number of poles	Coding	Rated voltage [V]	Current rating [A]	Cable length = L [m]	Wire cross section [mm ²]	Description	Part No.
3		50 V AC / 60 V DC	5	0,5	0,3	SAL-8-RKS3-RSS3-0,3/A1/05	42-13075
					0,6	SAL-8-RKS3-RSS3-0,6/A1/05	42-13076
					1,5	SAL-8-RKS3-RSS3-1,5/A1/05	42-13077
					3	SAL-8-RKS3-RSS3-3/A1/05	42-13078
4		50 V AC / 60 V DC	5	0,5	0,3	SAL-8-RKS4-RSS4-0,3/A1/05	42-13083
					0,6	SAL-8-RKS4-RSS4-0,6/A1/05	42-13084
					1,5	SAL-8-RKS4-RSS4-1,5/A1/05	42-13085
					3	SAL-8-RKS4-RSS4-3/A1/05	42-13086



TPU, UL, halogenfree, black, Li9Y11Y

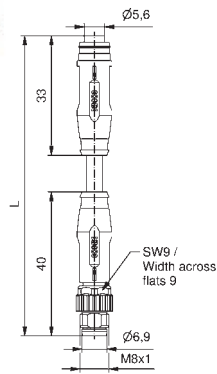
3		50 V AC / 60 V DC	5	0,5	0,3	SAL-8-RKS3-RSS3-0,3/K1/05	42-13079
					0,6	SAL-8-RKS3-RSS3-0,6/K1/05	42-13080
					1,5	SAL-8-RKS3-RSS3-1,5/K1/05	42-13081
					3	SAL-8-RKS3-RSS3-3/K1/05	42-13082
4		50 V AC / 60 V DC	5	0,5	0,3	SAL-8-RKS4-RSS4-0,3/K1/05	42-13339
					0,6	SAL-8-RKS4-RSS4-0,6/K1/05	42-13340
					1,5	SAL-8-RKS4-RSS4-1,5/K1/05	42-13341
					3	SAL-8-RKS4-RSS4-3/K1/05	42-13342



M8x1 CONNECTORS OVERMOULDED
Connecting cable

Female connector axial, snap-in
Male connector axial, screwable/snap-in

PVC, grey, LiYY



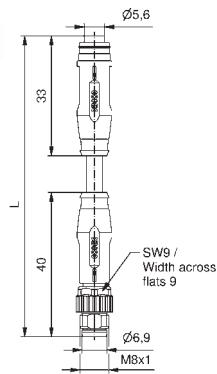
Contact assignment

- Pin 1 ■
- Pin 3 ■
- Pin 4 ■

- Pin 1 ■
- Pin 2 ■
- Pin 3 ■
- Pin 4 ■

Number of poles	Coding	Rated voltage [V]	Current rating [A]	Cable length = L [m]	Wire cross section [mm ²]	Description	Part No.
3		50 V AC / 60 V DC	3	0,3	0,25	SAL-8-RKS3-RSU3-0,3/A1	42-10173
						SAL-8-RKS3-RSU3-0,6/A1	42-10174
						SAL-8-RKS3-RSU3-1,5/A1	42-10175
						SAL-8-RKS3-RSU3-3/A1	42-10176
4		50 V AC / 60 V DC	3	0,3	0,25	SAL-8-RKS4-RSU4-0,3/A1	42-10189
						SAL-8-RKS4-RSU4-0,6/A1	42-10190
						SAL-8-RKS4-RSU4-1,5/A1	42-10191
						SAL-8-RKS4-RSU4-3/A1	42-10192

TPU, UL, halogenfree, black, Li9Y11Y



- Pin 1 ■
- Pin 3 ■
- Pin 4 ■

- Pin 1 ■
- Pin 2 ■
- Pin 3 ■
- Pin 4 ■

3		50 V AC / 60 V DC	3	0,3	0,25	SAL-8-RKS3-RSU3-0,3/K1	42-10177
						SAL-8-RKS3-RSU3-0,6/K1	42-10178
						SAL-8-RKS3-RSU3-1,5/K1	42-10179
						SAL-8-RKS3-RSU3-3/K1	42-10180
4		50 V AC / 60 V DC	3	0,3	0,25	SAL-8-RKS4-RSU4-0,3/K1	42-10193
						SAL-8-RKS4-RSU4-0,6/K1	42-10194
						SAL-8-RKS4-RSU4-1,5/K1	42-10195
						SAL-8-RKS4-RSU4-3/K1	42-10196

M8x1 CONNECTORS OVERMOULDED

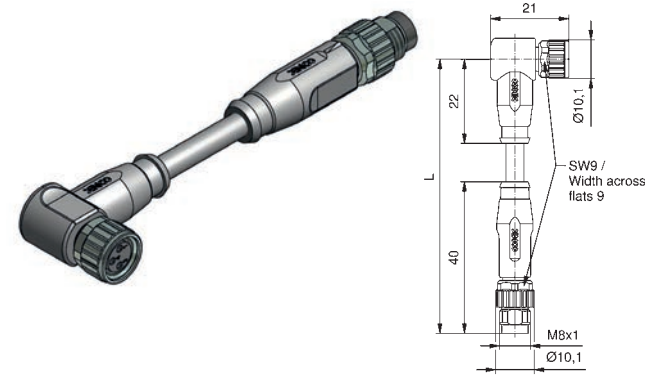
Connecting cable

Female connector angled, screwable
Male connector axial, screwable

PVC, grey, LiYY

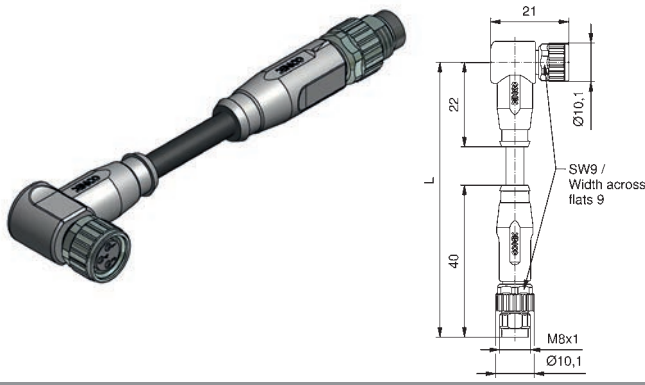
Contact assignment

Number of poles	Coding	Rated voltage [V]	Current rating [A]	Cable length = L [m]	Wire cross section [mm ²]	Description	Part No.
3		50 V AC / 60 V DC	3	0,3	0,25	SAL-8-RKW3-RS3-0,3/A1	42-10149
						SAL-8-RKW3-RS3-0,6/A1	42-10150
						SAL-8-RKW3-RS3-1,5/A1	42-10151
						SAL-8-RKW3-RS3-3/A1	42-10152
4		50 V AC / 60 V DC	3	0,3	0,25	SAL-8-RKW4-RS4-0,3/A1	42-10165
						SAL-8-RKW4-RS4-0,6/A1	42-10166
						SAL-8-RKW4-RS4-1,5/A1	42-10167
						SAL-8-RKW4-RS4-3/A1	42-10168



TPU, UL, halogenfree, black, Li9Y11Y

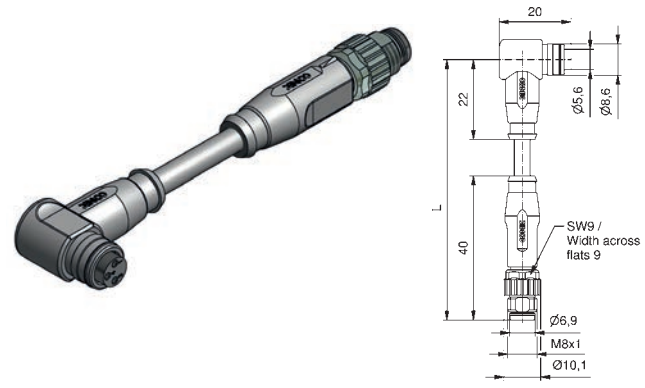
3		50 V AC / 60 V DC	3	0,3	0,25	SAL-8-RKW3-RS3-0,3/K1	42-10153
						SAL-8-RKW3-RS3-0,6/K1	42-10154
						SAL-8-RKW3-RS3-1,5/K1	42-10155
						SAL-8-RKW3-RS3-3/K1	42-10156
4		50 V AC / 60 V DC	3	0,3	0,25	SAL-8-RKW4-RS4-0,3/K1	42-10169
						SAL-8-RKW4-RS4-0,6/K1	42-10170
						SAL-8-RKW4-RS4-1,5/K1	42-10171
						SAL-8-RKW4-RS4-3/K1	42-10172



Female connector angled, snap-in
Male connector axial, screwable/snap-in

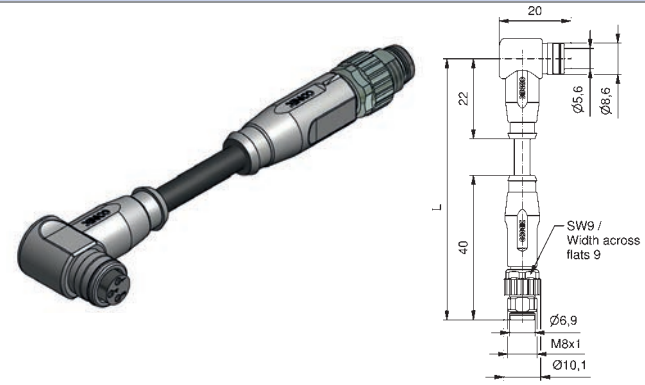
PVC, grey, LiYY

3		50 V AC / 60 V DC	3	0,3	0,25	SAL-8-RKWS3-RSU3-0,3/A1	42-10181
						SAL-8-RKWS3-RSU3-0,6/A1	42-10182
						SAL-8-RKWS3-RSU3-1,5/A1	42-10183
						SAL-8-RKWS3-RSU3-3/A1	42-10184
4		50 V AC / 60 V DC	3	0,3	0,25	SAL-8-RKWS4-RSU4-0,3/A1	42-10197
						SAL-8-RKWS4-RSU4-0,6/A1	42-10198
						SAL-8-RKWS4-RSU4-1,5/A1	42-10199
						SAL-8-RKWS4-RSU4-3/A1	42-10200



TPU, UL, halogenfree, black, Li9Y11Y

3		50 V AC / 60 V DC	3	0,3	0,25	SAL-8-RKWS3-RSU3-0,3/K1	42-10185
						SAL-8-RKWS3-RSU3-0,6/K1	42-10186
						SAL-8-RKWS3-RSU3-1,5/K1	42-10187
						SAL-8-RKWS3-RSU3-3/K1	42-10188
4		50 V AC / 60 V DC	3	0,3	0,25	SAL-8-RKWS4-RSU4-0,3/K1	42-10201
						SAL-8-RKWS4-RSU4-0,6/K1	42-10202
						SAL-8-RKWS4-RSU4-1,5/K1	42-10203
						SAL-8-RKWS4-RSU4-3/K1	42-10204

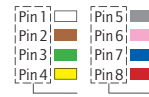
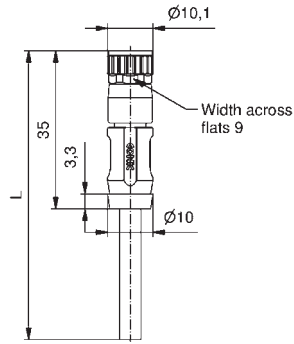


M8x1 CONNECTORS OVERMOULDED

Screwable with 360° shielding

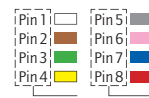
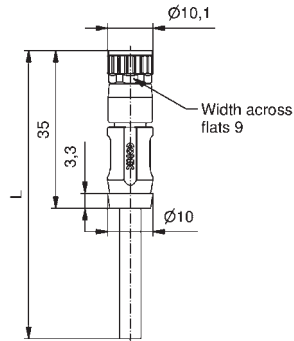
Female connector axial

PVC, UL, grey, LiYCY



Contact assignment	Number of poles	Coding	Rated voltage [V]	Current rating [A]	Cable length = L [m]	Wire cross section [mm ²]	Description	Part No.
3	3	60	3	0,25	2		SAL-8S-RK3-2 / G3	42-10843
					3		SAL-8S-RK3-3 / G3	42-10844
					5		SAL-8S-RK3-5 / G3	42-10845
					10		SAL-8S-RK3-10 / G3	42-10846
4	4	30	3	0,25	2		SAL-8S-RK4-2 / G3	42-10851
					3		SAL-8S-RK4-3 / G3	42-10852
					5		SAL-8S-RK4-5 / G3	42-10853
					10		SAL-8S-RK4-10 / G3	42-10854
8	A	30	1,5	0,14	2		SAL-8S-RK8-2 / G3	42-12190
					3		SAL-8S-RK8-3 / G3	42-12191
					5		SAL-8S-RK8-5 / G3	42-12192
					10		SAL-8S-RK8-10 / G3	42-12193

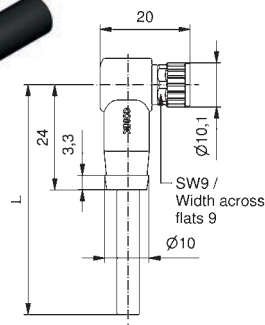
TPU, UL, halogenfree, black, Li9YC11Y



3	3	60	3	0,25	2		SAL-8S-RK3-2 / G2	42-10847
					3		SAL-8S-RK3-3 / G2	42-10848
					5		SAL-8S-RK3-5 / G2	42-10849
					10		SAL-8S-RK3-10 / G2	42-10850
4	4	30	3	0,25	2		SAL-8S-RK4-2 / G2	42-10855
					3		SAL-8S-RK4-3 / G2	42-10856
					5		SAL-8S-RK4-5 / G2	42-10857
					10		SAL-8S-RK4-10 / G2	42-10858
8	A	30	1,5	0,14	2		SAL-8S-RK8-2 / G2	42-12186
					3		SAL-8S-RK8-3 / G2	42-12187
					5		SAL-8S-RK8-5 / G2	42-12188
					10		SAL-8S-RK8-10 / G2	42-12189

Female connector angled

TPU, UL, halogenfree, black, Li9YC11Y



4	4	30	3	0,25	2		SAL-8S-RKW4-2 / G2	42-12351
					3		SAL-8S-RKW4-3 / G2	42-12416
					5		SAL-8S-RKW4-5 / G2	42-12352
					10		SAL-8S-RKW4-10 / G2	42-12353

M8x1 CONNECTORS OVERMOULDED

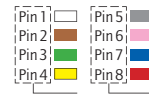
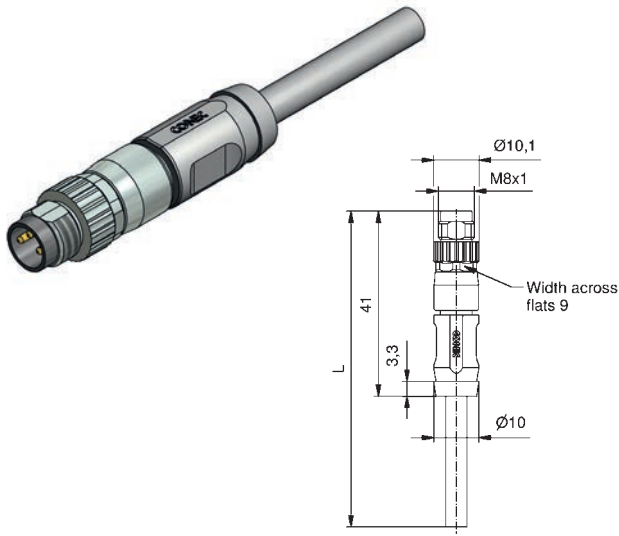
Screwable with 360° shielding

Male connector axial

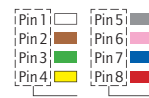
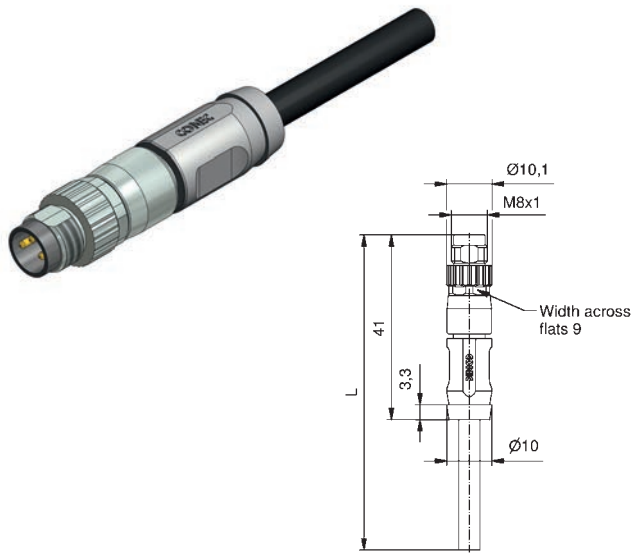
PVC, UL, grey, LiYCY

Contact assignment

Number of poles	Coding	Rated voltage [V]	Current rating [A]	Cable length = L [m]	Wire cross section [mm ²]	Description	Part No.
3		60	3	0,25	2	SAL-8S-RS3-2 / G3	42-10859
					3	SAL-8S-RS3-3 / G3	42-10860
					5	SAL-8S-RS3-5 / G3	42-10861
					10	SAL-8S-RS3-10 / G3	42-10862
4		30	3	0,25	2	SAL-8S-RS4-2 / G3	42-10867
					3	SAL-8S-RS4-3 / G3	42-10868
					5	SAL-8S-RS4-5 / G3	42-10869
					10	SAL-8S-RS4-10 / G3	42-10870
8	A	30	1,5	0,14	2	SAL-8S-RS8-2 / G3	42-12198
					3	SAL-8S-RS8-3 / G3	42-12199
					5	SAL-8S-RS8-5 / G3	42-12200
					10	SAL-8S-RS8-10 / G3	42-12201



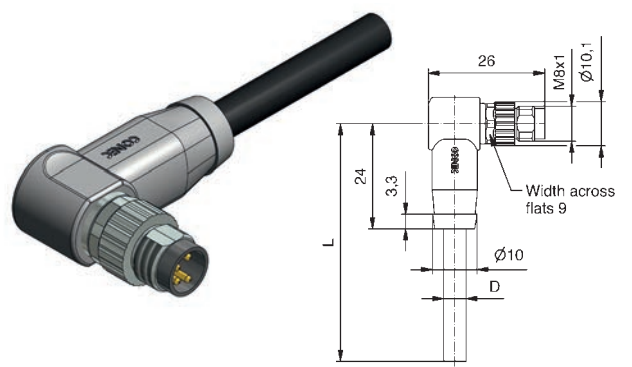
TPU, UL, halogenfree, black, Li9YC11Y



3		60	3	0,25	2	SAL-8S-RS3-2 / G2	42-10863
					3	SAL-8S-RS3-3 / G2	42-10864
					5	SAL-8S-RS3-5 / G2	42-10865
					10	SAL-8S-RS3-10 / G2	42-10866
4		30	3	0,25	2	SAL-8S-RS4-2 / G2	42-10871
					3	SAL-8S-RS4-3 / G2	42-10872
					5	SAL-8S-RS4-5 / G2	42-10873
					10	SAL-8S-RS4-10 / G2	42-10874
8	A	30	1,5	0,14	2	SAL-8S-RS8-2 / G2	42-12194
					3	SAL-8S-RS8-3 / G2	42-12195
					5	SAL-8S-RS8-5 / G2	42-12196
					10	SAL-8S-RS8-10 / G2	42-12197

Male connector angled

TPU, UL, halogenfree, black, Li9YC11Y



4		30	3	0,25	2	SAL-8S-RSW4-2 / G2	42-12417
					3	SAL-8S-RSW4-3 / G2	42-12418
					5	SAL-8S-RSW4-5 / G2	42-12419
					10	SAL-8S-RSW4-10 / G2	42-12420

M8x1 CONNECTORS OVERMOULDED

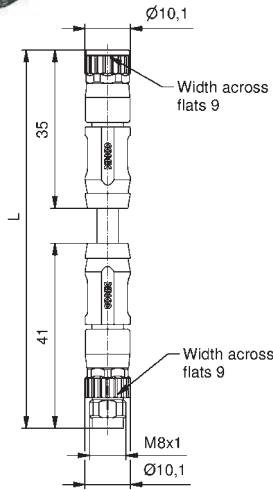
Connecting cable with 360° shielding

Female connector axial, screwable
Male connector axial, screwable

PVC, UL, grey, LiYCY

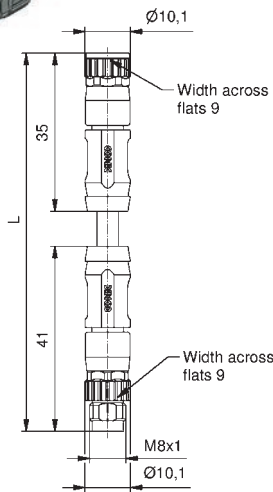
Contact Assignment

Number of poles	Coding	Rated voltage [V]	Current rating [A]	Cable length = L [m]	Wire cross section [mm ²]	Description	Part No.
3		60	3	0,25	0,3	SAL-8S-RK3-RS3-0,3 / G3	42-10875
					0,6	SAL-8S-RK3-RS3-0,6 / G3	42-10876
					1,5	SAL-8S-RK3-RS3-1,5 / G3	42-10877
					3	SAL-8S-RK3-RS3-3 / G3	42-10878
4		30	3	0,25	0,3	SAL-8S-RK4-RS4-0,3 / G3	42-10883
					0,6	SAL-8S-RK4-RS4-0,6 / G3	42-10884
					1,5	SAL-8S-RK4-RS4-1,5 / G3	42-10885
					3	SAL-8S-RK4-RS4-3 / G3	42-10886
8	A	30	1,5	0,14	0,3	SAL-8S-RK8-RS8-0,3 / G3	42-12206
					0,6	SAL-8S-RK8-RS8-0,6 / G3	42-12207
					1,5	SAL-8S-RK8-RS8-1,5 / G3	42-12208
					3	SAL-8S-RK8-RS8-3 / G3	42-12209



TPU, UL, halogenfree, black, Li9YC11Y

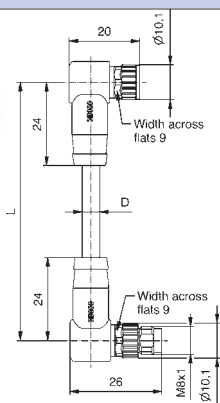
3		60	3	0,25	0,3	SAL-8S-RK3-RS3-0,3 / G2	42-10879
					0,6	SAL-8S-RK3-RS3-0,6 / G2	42-10880
					1,5	SAL-8S-RK3-RS3-1,5 / G2	42-10881
					3	SAL-8S-RK3-RS3-3 / G2	42-10882
4		30	3	0,25	0,3	SAL-8S-RK4-RS4-0,3 / G2	42-10887
					0,6	SAL-8S-RK4-RS4-0,6 / G2	42-10888
					1,5	SAL-8S-RK4-RS4-1,5 / G2	42-10889
					3	SAL-8S-RK4-RS4-3 / G2	42-10890
8	A	30	1,5	0,14	0,3	SAL-8S-RK8-RS8-0,3 / G2	42-12202
					0,6	SAL-8S-RK8-RS8-0,6 / G2	42-12203
					1,5	SAL-8S-RK8-RS8-1,5 / G2	42-12204
					3	SAL-8S-RK8-RS8-3 / G2	42-12205



Female connector angled, screwable
Male connector angled, screwable

TPU, UL, halogenfree, black, Li9YC11Y

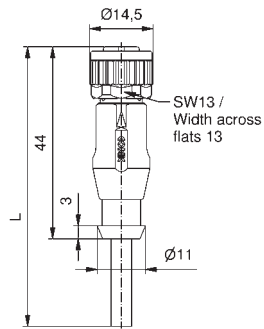
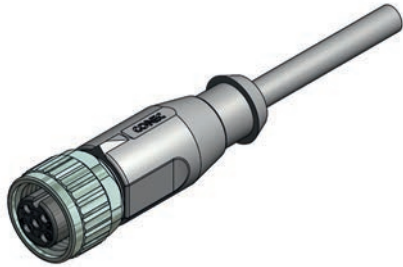
4		30	3	0,25	0,3	SAL-8S-RKW4-RSW4-0,3 / G2	42-12412
					0,6	SAL-8S-RKW4-RSW4-0,6 / G2	42-12413
					1,5	SAL-8S-RKW4-RSW4-1,5 / G2	42-12414
					3	SAL-8S-RKW4-RSW4-3 / G2	42-12415



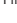

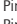

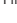


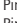



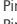


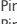
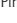



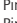



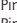
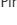








M12x1 CONNECTORS OVERMOULDED

Female connector axial

PVC, grey, LiYY



Contact assignment	Number of poles	Coding	Rated voltage [V]	Current rating [A]	Cable length = L [m]	Wire cross section [mm ²]	Description	Part No.						
Pin 1  Pin 3  Pin 4 	3	A	250	4	0,34	2	SAL-12-RK3-2/A1	43-10000						
						3	SAL-12-RK3-3/A1	43-10001						
						5	SAL-12-RK3-5/A1	43-10002						
						10	SAL-12-RK3-10/A1	43-10003						
Pin 1  Pin 2  Pin 3  Pin 4 	4	A	250	4	0,34	2	SAL-12-RK4-2/A1	43-10020						
						3	SAL-12-RK4-3/A1	43-10021						
						5	SAL-12-RK4-5/A1	43-10022						
						10	SAL-12-RK4-10/A1	43-10023						
Pin 1  Pin 2  Pin 3  Pin 4  Pin 5 	5	A	60	4	0,34	2	SAL-12-RK5-2/A1	43-10040						
						3	SAL-12-RK5-3/A1	43-10041						
						5	SAL-12-RK5-5/A1	43-10042						
						10	SAL-12-RK5-10/A1	43-10043						
Pin 1  Pin 2  Pin 3 	6	A	30	2	0,25	2	SAL-12-RK6-2/A1	43-10060						
						3	SAL-12-RK6-3/A1	43-10061						
						5	SAL-12-RK6-5/A1	43-10062						
Pin 4  Pin 5  Pin 6  Pin 7 	6	A	30	2	0,25	10	SAL-12-RK6-10/A1	43-10063						
						Pin 1  Pin 2  Pin 3  Pin 4 	8	A	30	2	0,25	2	SAL-12-RK8-2/A1	43-10072
												3	SAL-12-RK8-3/A1	43-10073
												5	SAL-12-RK8-5/A1	43-10074
10	SAL-12-RK8-10/A1	43-10075												
Pin 5  Pin 6  Pin 7  Pin 8 	8	A	30	2	0,25	2	SAL-12-RK8-2/A1	43-10072						
						3	SAL-12-RK8-3/A1	43-10073						
						5	SAL-12-RK8-5/A1	43-10074						
						10	SAL-12-RK8-10/A1	43-10075						
Pin 1  Pin 2  Pin 3  Pin 4  Pin 5  Pin 6 	12	A	30	1,5	0,14	2	SAL-12-RK12-2/A3	43-11264						
						3	SAL-12-RK12-3/A3	43-11265						
						5	SAL-12-RK12-5/A3	43-11266						
						10	SAL-12-RK12-10/A3	43-11267						

M12x1 CONNECTORS OVERMOULDED

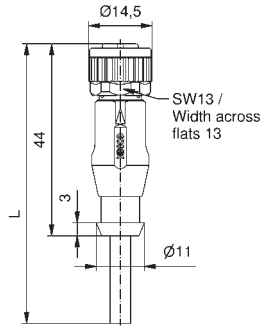
Female connector axial

TPU, UL, halogenfree, black, Li9Y11Y

Contact assignment

Number of poles
Coding
Rated voltage [V]
Current rating [A]
Cable length = L [m]
Wire cross section [mm²]

Description
Part No.



Pin 1
Pin 3
Pin 4

Pin 1
Pin 2
Pin 3
Pin 4

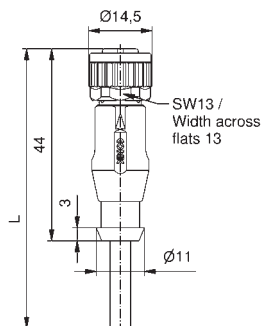
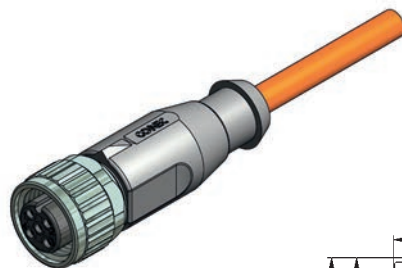
Pin 1
Pin 2
Pin 3
Pin 4
Pin 5

Pin 1
Pin 2
Pin 3
Pin 4
Pin 5
Pin 6
Pin 7

Pin 1
Pin 2
Pin 3
Pin 4
Pin 5
Pin 6
Pin 7
Pin 8

Pin 1
Pin 2
Pin 3
Pin 4
Pin 5
Pin 6
Pin 7
Pin 8
Pin 9
Pin 10
Pin 11
Pin 12

TPU, UL, irradiated, orange Li12Y11X



Pin 1
Pin 3
Pin 4

Pin 1
Pin 2
Pin 3
Pin 4

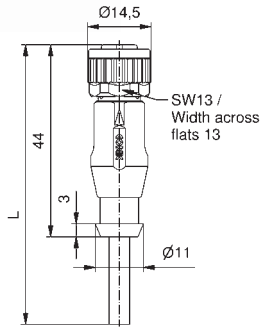
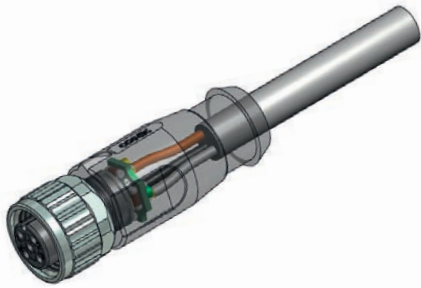
Pin 1
Pin 2
Pin 3
Pin 4
Pin 5

Number of poles	Coding	Rated voltage [V]	Current rating [A]	Cable length = L [m]	Wire cross section [mm ²]	Description	Part No.
3	A	250	4	2	0,34	SAL-12-RK3-2 / K1	43-10012
						SAL-12-RK3-3 / K1	43-10013
						SAL-12-RK3-5 / K1	43-10014
						SAL-12-RK3-10 / K1	43-10015
4	A	250	4	2	0,34	SAL-12-RK4-2 / K1	43-10032
						SAL-12-RK4-3 / K1	43-10033
						SAL-12-RK4-5 / K1	43-10034
						SAL-12-RK4-10 / K1	43-10035
5	A	60	4	2	0,34	SAL-12-RK5-2 / K1	43-10052
						SAL-12-RK5-3 / K1	43-10053
						SAL-12-RK5-5 / K1	43-10054
						SAL-12-RK5-10 / K1	43-10055
6	A	30	2	2	0,25	SAL-12-RK6-2 / K1	43-11038
						SAL-12-RK6-3 / K1	43-11039
						SAL-12-RK6-5 / K1	43-11040
						SAL-12-RK6-10 / K1	43-11041
8	A	30	2	2	0,25	SAL-12-RK8-2 / K1	43-11034
						SAL-12-RK8-3 / K1	43-11035
						SAL-12-RK8-5 / K1	43-11036
						SAL-12-RK8-10 / K1	43-11037
12	A	30	1,5	2	0,14	SAL-12-RK12-2 / K1	43-11268
						SAL-12-RK12-3 / K1	43-11269
						SAL-12-RK12-5 / K1	43-11270
						SAL-12-RK12-10 / K1	43-11271
3	A	250	4	2	0,34	SAL-12-RK3-2 / J1	43-10016
						SAL-12-RK3-3 / J1	43-10017
						SAL-12-RK3-5 / J1	43-10018
						SAL-12-RK3-10 / J1	43-10019
4	A	250	4	2	0,34	SAL-12-RK4-2 / J1	43-10036
						SAL-12-RK4-3 / J1	43-10037
						SAL-12-RK4-5 / J1	43-10038
						SAL-12-RK4-10 / J1	43-10039
5	A	60	4	2	0,34	SAL-12-RK5-2 / J1	43-10056
						SAL-12-RK5-3 / J1	43-10057
						SAL-12-RK5-5 / J1	43-10058
						SAL-12-RK5-10 / J1	43-10059

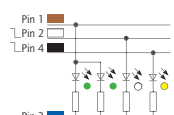
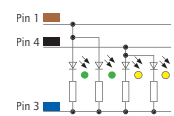
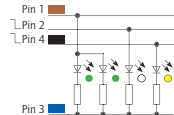
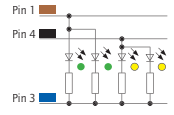
M12x1 CONNECTORS OVERMOULDED with LED

Female connector axial, A-coding

PVC, grey, LiYY

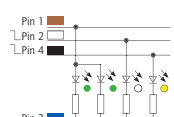
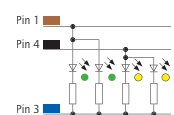
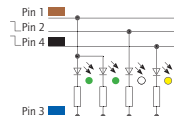
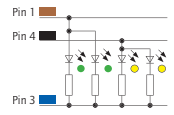
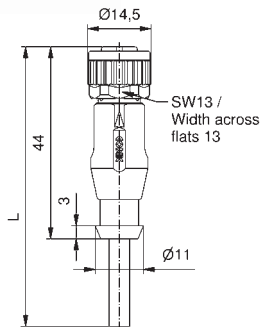
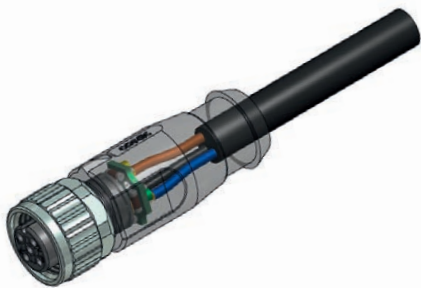


Contact assignment



Number of poles	Coding	Rated voltage [V]	Current rating [A]	Cable length = L [m]	Wire cross section [mm ²]	Description	Part No.
3	A	30	4	2	0,25	SAL-12-RK3-2L-2 / A1 / 025	43-16746
						SAL-12-RK3-2L-3 / A1 / 025	43-16747
						SAL-12-RK3-2L-5 / A1 / 025	43-16748
						SAL-12-RK3-2L-10 / A1 / 025	43-16749
4	A	30	4	2	0,25	SAL-12-RK4-3L-2 / A1 / 025	43-16762
						SAL-12-RK4-3L-3 / A1 / 025	43-16763
						SAL-12-RK4-3L-5 / A1 / 025	43-16764
						SAL-12-RK4-3L-10 / A1 / 025	43-16765
5	A	30	4	2	0,25	SAL-12-RK5.2-2L-2 / A1 / 025	43-16754
						SAL-12-RK5.2-2L-3 / A1 / 025	43-16755
						SAL-12-RK5.2-2L-5 / A1 / 025	43-16756
						SAL-12-RK5.2-2L-10 / A1 / 025	43-16757
5	A	30	4	2	0,25	SAL-12-RK5-3L-2 / A1 / 025	43-16770
						SAL-12-RK5-3L-3 / A1 / 025	43-16771
						SAL-12-RK5-3L-5 / A1 / 025	43-16772
						SAL-12-RK5-3L-10 / A1 / 025	43-16773

TPU, UL, halogenfree, black, Li9Y11Y





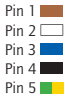

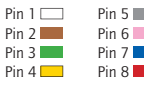
3	A	30	4	2	0,25	SAL-12-RK3-2L-2 / K1 / 025	43-16750
						SAL-12-RK3-2L-3 / K1 / 025	43-16751
						SAL-12-RK3-2L-5 / K1 / 025	43-16752
						SAL-12-RK3-2L-10 / K1 / 025	43-16753
4	A	30	4	2	0,25	SAL-12-RK4-3L-2 / K1 / 025	43-16766
						SAL-12-RK4-3L-3 / K1 / 025	43-16767
						SAL-12-RK4-3L-5 / K1 / 025	43-16768
						SAL-12-RK4-3L-10 / K1 / 025	43-16769
5	A	30	4	2	0,25	SAL-12-RK5.2-2L-2 / K1 / 025	43-16758
						SAL-12-RK5.2-2L-3 / K1 / 025	43-16759
						SAL-12-RK5.2-2L-5 / K1 / 025	43-16760
						SAL-12-RK5.2-2L-10 / K1 / 025	43-16761
5	A	30	4	2	0,25	SAL-12-RK5-3L-2 / K1 / 025	43-16774
						SAL-12-RK5-3L-3 / K1 / 025	43-16775
						SAL-12-RK5-3L-5 / K1 / 025	43-16776
						SAL-12-RK5-3L-10 / K1 / 025	43-16777

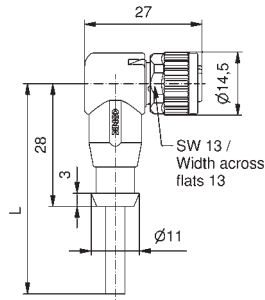
M12x1 CONNECTORS OVERMOULDED

Female connector angled

PVC, grey, LiYY

Contact assignment

	Number of poles	Coding	Rated voltage [V]	Current rating [A]	Cable length = L [m]	Wire cross section [mm ²]	Description	Part No.
	3	A	250	4	0,34	2	SAL-12-RKW3-2/A1	43-10168
						3	SAL-12-RKW3-3/A1	43-10169
						5	SAL-12-RKW3-5/A1	43-10170
						10	SAL-12-RKW3-10/A1	43-10171
	4	A	250	4	0,34	2	SAL-12-RKW4-2/A1	43-10188
						3	SAL-12-RKW4-3/A1	43-10189
						5	SAL-12-RKW4-5/A1	43-10190
						10	SAL-12-RKW4-10/A1	43-10191
	5	A	60	4	0,34	2	SAL-12-RKW5-2/A1	43-10208
						3	SAL-12-RKW5-3/A1	43-10209
						5	SAL-12-RKW5-5/A1	43-10210
						10	SAL-12-RKW5-10/A1	43-10211
	6	A	30	2	0,25	2	SAL-12-RKW6-2/A1	43-10228
						3	SAL-12-RKW6-3/A1	43-10229
						5	SAL-12-RKW6-5/A1	43-10230
						10	SAL-12-RKW6-10/A1	43-10231
	8	A	30	2	0,25	2	SAL-12-RKW8-2/A1	43-10240
						3	SAL-12-RKW8-3/A1	43-10241
						5	SAL-12-RKW8-5/A1	43-10242
						10	SAL-12-RKW8-10/A1	43-10243



M12x1 CONNECTORS OVERMOULDED

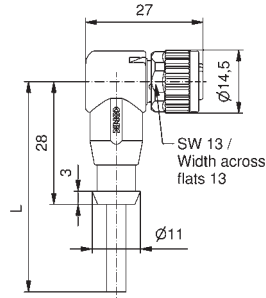
Female connector angled

TPU, UL, halogenfree, black, Li9Y11Y

Contact assignment

Number of poles
Coding
Rated voltage [V]
Current rating [A]
Cable length = L [m]
Wire cross section [mm²]

Description
Part No.



Pin 1
Pin 3
Pin 4

Pin 1
Pin 2
Pin 3
Pin 4

Pin 1
Pin 2
Pin 3
Pin 4
Pin 5

Pin 1
Pin 2
Pin 3

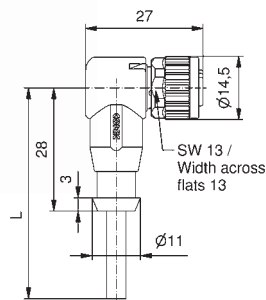
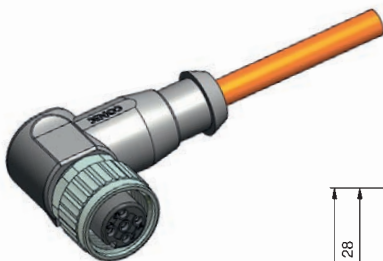
Pin 4
Pin 6
Pin 7

Pin 1
Pin 2
Pin 3
Pin 4

Pin 5
Pin 6
Pin 7
Pin 8

Number of poles	Coding	Rated voltage [V]	Current rating [A]	Cable length = L [m]	Wire cross section [mm ²]	Description	Part No.
3	A	250	4	2	0,34	SAL-12-RKW3-2 / K1	43-10180
						SAL-12-RKW3-3 / K1	43-10181
						SAL-12-RKW3-5 / K1	43-10182
						SAL-12-RKW3-10 / K1	43-10183
4	A	250	4	2	0,34	SAL-12-RKW4-2 / K1	43-10200
						SAL-12-RKW4-3 / K1	43-10201
						SAL-12-RKW4-5 / K1	43-10202
						SAL-12-RKW4-10 / K1	43-10203
5	A	60	4	2	0,34	SAL-12-RKW5-2 / K1	43-10220
						SAL-12-RKW5-3 / K1	43-10221
						SAL-12-RKW5-5 / K1	43-10222
						SAL-12-RKW5-10 / K1	43-10223
6	A	30	2	2	0,25	SAL-12-RKW6-2 / K1	43-11046
						SAL-12-RKW6-3 / K1	43-11047
						SAL-12-RKW6-5 / K1	43-11048
						SAL-12-RKW6-10 / K1	43-11049
8	A	30	2	2	0,25	SAL-12-RKW8-2 / K1	43-11050
						SAL-12-RKW8-3 / K1	43-11051
						SAL-12-RKW8-5 / K1	43-11052
						SAL-12-RKW8-10 / K1	43-11053

TPU, UL, irradiated, orange Li12Y11X



Pin 1
Pin 3
Pin 4

Pin 1
Pin 2
Pin 3
Pin 4

Pin 1
Pin 2
Pin 3
Pin 4
Pin 5

Number of poles	Coding	Rated voltage [V]	Current rating [A]	Cable length = L [m]	Wire cross section [mm ²]	Description	Part No.
3	A	250	4	2	0,34	SAL-12-RKW3-2 / J1	43-10184
						SAL-12-RKW3-3 / J1	43-10185
						SAL-12-RKW3-5 / J1	43-10186
						SAL-12-RKW3-10 / J1	43-10187
4	A	250	4	2	0,34	SAL-12-RKW4-2 / J1	43-10204
						SAL-12-RKW4-3 / J1	43-10205
						SAL-12-RKW4-5 / J1	43-10206
						SAL-12-RKW4-10 / J1	43-10207
5	A	60	4	2	0,34	SAL-12-RKW5-2 / J1	43-10224
						SAL-12-RKW5-3 / J1	43-10225
						SAL-12-RKW5-5 / J1	43-10226
						SAL-12-RKW5-10 / J1	43-10227

M12x1 CONNECTORS OVERMOULDED with 2-LED

Female connector angled

PVC, grey, LiYY

Contact assignment

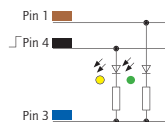
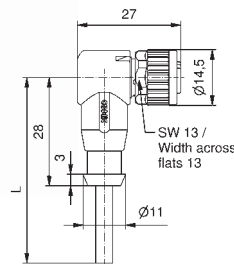
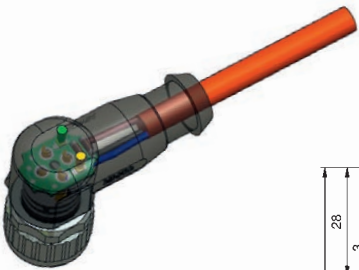
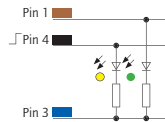
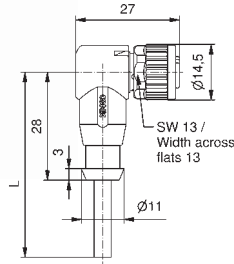
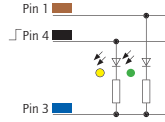
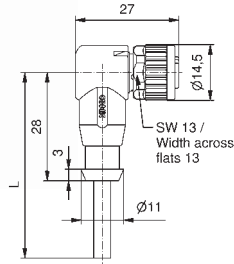
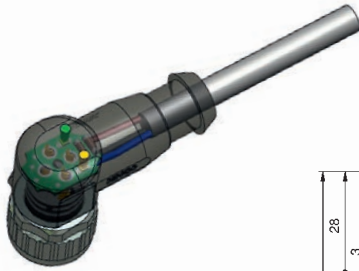
Number of poles	Coding	Rated voltage [V]	Current rating [A]	Cable length = L [m]	Wire cross section [mm ²]	Description	Part No.
3	A	30	4	0,34	2	SAL-12-RKW3-2L-2/A1	43-10368
					3	SAL-12-RKW3-2L-3/A1	43-10369
					5	SAL-12-RKW3-2L-5/A1	43-10370
					10	SAL-12-RKW3-2L-10/A1	43-10371

TPU, UL, halogenfree, black, Li9Y11Y

3	A	30	4	0,34	2	SAL-12-RKW3-2L-2/K1	43-10868
					3	SAL-12-RKW3-2L-3/K1	43-10869
					5	SAL-12-RKW3-2L-5/K1	43-10870
					10	SAL-12-RKW3-2L-10/K1	43-10871

TPU, UL, irradiated, orange Li12Y11X

3	A	30	4	0,34	2	SAL-12-RKW3-2L-2/J1	43-10872
					3	SAL-12-RKW3-2L-3/J1	43-10873
					5	SAL-12-RKW3-2L-5/J1	43-10874
					10	SAL-12-RKW3-2L-10/J1	43-10875



M12x1 CONNECTORS OVERMOULDED with 3-LED

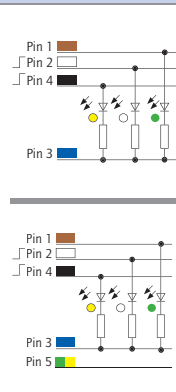
Female connector angled

PVC, grey, LiYY

Contact assignment

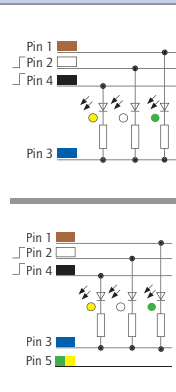
Number of poles	Coding	Rated voltage [V]	Current rating [A]	Cable length = L [m]	Wire cross section [mm ²]	Description	Part No.
4	A	30	4	0,34	2	SAL-12-RKW4-3L-2/A1	43-10424
					3	SAL-12-RKW4-3L-3/A1	43-10425
					5	SAL-12-RKW4-3L-5/A1	43-10426
					10	SAL-12-RKW4-3L-10/A1	43-10427
5	A	30	4	0,34	2	SAL-12-RKW5-3L-2/A1	43-10444
					3	SAL-12-RKW5-3L-3/A1	43-10445
					5	SAL-12-RKW5-3L-5/A1	43-10446
					10	SAL-12-RKW5-3L-10/A1	43-10447

TPU, UL, halogenfree, black, Li9Y11Y



4	A	30	4	0,34	2	SAL-12-RKW4-3L-2/K1	43-10436
					3	SAL-12-RKW4-3L-3/K1	43-10437
					5	SAL-12-RKW4-3L-5/K1	43-10438
					10	SAL-12-RKW4-3L-10/K1	43-10439
5	A	30	4	0,34	2	SAL-12-RKW5-3L-2/K1	43-10456
					3	SAL-12-RKW5-3L-3/K1	43-10457
					5	SAL-12-RKW5-3L-5/K1	43-10458
					10	SAL-12-RKW5-3L-10/K1	43-10459

TPU, UL, irradiated, orange Li12Y11X



4	A	30	4	0,34	2	SAL-12-RKW4-3L-2/J1	43-10440
					3	SAL-12-RKW4-3L-3/J1	43-10441
					5	SAL-12-RKW4-3L-5/J1	43-10442
					10	SAL-12-RKW4-3L-10/J1	43-10443
5	A	30	4	0,34	2	SAL-12-RKW5-3L-2/J1	43-10460
					3	SAL-12-RKW5-3L-3/J1	43-10461
					5	SAL-12-RKW5-3L-5/J1	43-10462
					10	SAL-12-RKW5-3L-10/J1	43-10463

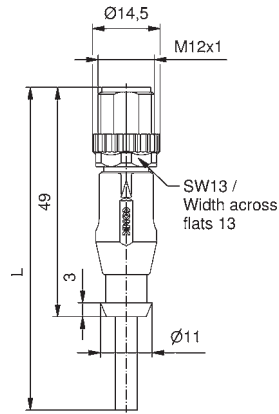
M12x1 CONNECTORS OVERMOULDED

Male connector axial

PVC, grey, LiYY

Contact assignment

Number of poles	Coding	Rated voltage [V]	Current rating [A]	Cable length = L [m]	Wire cross section [mm ²]	Description	Part No.
3	A	250	4	0,34	2	SAL-12-RS3-2/A1	43-10084
					3	SAL-12-RS3-3/A1	43-10085
					5	SAL-12-RS3-5/A1	43-10086
					10	SAL-12-RS3-10/A1	43-10087
4	A	250	4	0,34	2	SAL-12-RS4-2/A1	43-10104
					3	SAL-12-RS4-3/A1	43-10105
					5	SAL-12-RS4-5/A1	43-10106
					10	SAL-12-RS4-10/A1	43-10107
5	A	60	4	0,34	2	SAL-12-RS5-2/A1	43-10124
					3	SAL-12-RS5-3/A1	43-10125
					5	SAL-12-RS5-5/A1	43-10126
					10	SAL-12-RS5-10/A1	43-10127
6	A	30	2	0,25	2	SAL-12-RS6-2/A1	43-10144
					3	SAL-12-RS6-3/A1	43-10145
					5	SAL-12-RS6-5/A1	43-10146
					10	SAL-12-RS6-10/A1	43-10147
8	A	30	2	0,25	2	SAL-12-RS8-2/A1	43-10156
					3	SAL-12-RS8-3/A1	43-10157
					5	SAL-12-RS8-5/A1	43-10158
					10	SAL-12-RS8-10/A1	43-10159
12	A	30	1,5	0,14	2	SAL-12-RS12-2/A3	43-11272
					3	SAL-12-RS12-3/A3	43-11273
					5	SAL-12-RS12-5/A3	43-11274
					10	SAL-12-RS12-10/A3	43-11275



Pin 1 ■
Pin 3 ■
Pin 4 ■

Pin 1 ■
Pin 2 ■
Pin 3 ■
Pin 4 ■

Pin 1 ■
Pin 2 ■
Pin 3 ■
Pin 4 ■
Pin 5 ■

Pin 1 ■
Pin 2 ■
Pin 3 ■

Pin 4 ■
Pin 5 ■
Pin 6 ■
Pin 7 ■

Pin 1 ■
Pin 2 ■
Pin 3 ■
Pin 4 ■

Pin 5 ■
Pin 6 ■
Pin 7 ■
Pin 8 ■

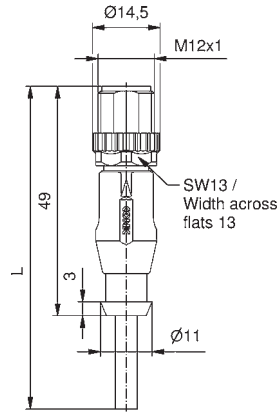
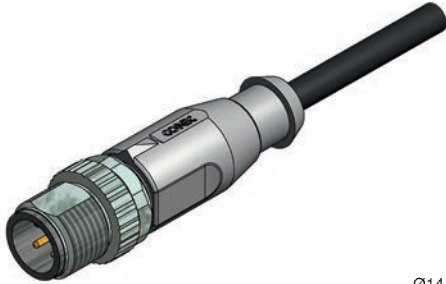
Pin 1 ■
Pin 2 ■
Pin 3 ■
Pin 4 ■
Pin 5 ■
Pin 6 ■

Pin 7 ■
Pin 8 ■
Pin 9 ■
Pin 10 ■
Pin 11 ■
Pin 12 ■

M12x1 CONNECTORS OVERMOULDED

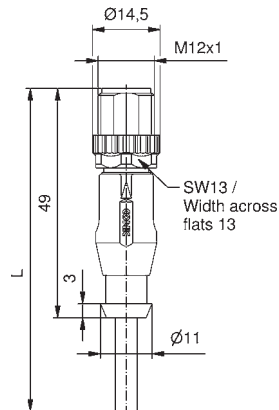
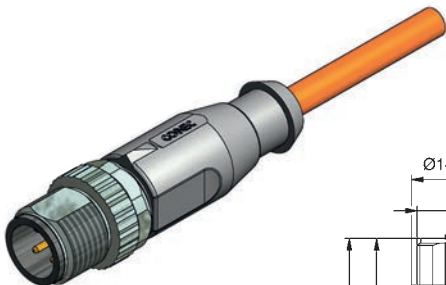
Male connector axial

TPU, UL, halogenfree, black, Li9Y11Y



Contact assignment	Number of poles	Coding	Rated voltage [V]	Current rating [A]	Cable length = L [m]	Wire cross section [mm ²]	Description	Part No.
Pin 1 Pin 3 Pin 4	3	A	250	4		0,34	SAL-12-RS3-2/K1	43-10096
							SAL-12-RS3-3/K1	43-10097
							SAL-12-RS3-5/K1	43-10098
							SAL-12-RS3-10/K1	43-10099
Pin 1 Pin 2 Pin 3 Pin 4	4	A	250	4		0,34	SAL-12-RS4-2/K1	43-10116
							SAL-12-RS4-3/K1	43-10117
							SAL-12-RS4-5/K1	43-10118
							SAL-12-RS4-10/K1	43-10119
Pin 1 Pin 2 Pin 3 Pin 4 Pin 5	5	A	60	4		0,34	SAL-12-RS5-2/K1	43-10136
							SAL-12-RS5-3/K1	43-10137
							SAL-12-RS5-5/K1	43-10138
							SAL-12-RS5-10/K1	43-10139
Pin 1 Pin 2 Pin 3 Pin 4 Pin 5 Pin 6 Pin 7	6	A	30	2		0,25	SAL-12-RS6-2/K1	43-11058
							SAL-12-RS6-3/K1	43-11059
							SAL-12-RS6-5/K1	43-11060
							SAL-12-RS6-10/K1	43-11061
Pin 1 Pin 2 Pin 3 Pin 4 Pin 5 Pin 6 Pin 7 Pin 8	8	A	30	2		0,25	SAL-12-RS8-2/K1	43-11062
							SAL-12-RS8-3/K1	43-11063
							SAL-12-RS8-5/K1	43-11064
							SAL-12-RS8-10/K1	43-11065
Pin 1 Pin 2 Pin 3 Pin 4 Pin 5 Pin 6 Pin 7 Pin 8 Pin 9 Pin 10 Pin 11 Pin 12	12	A	30	1,5		0,14	SAL-12-RS12-2/K1	43-11276
							SAL-12-RS12-3/K1	43-11277
							SAL-12-RS12-5/K1	43-11278
							SAL-12-RS12-10/K1	43-11279

TPU, UL, irradiated, orange Li12Y11X



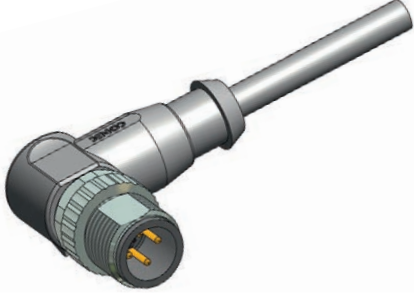
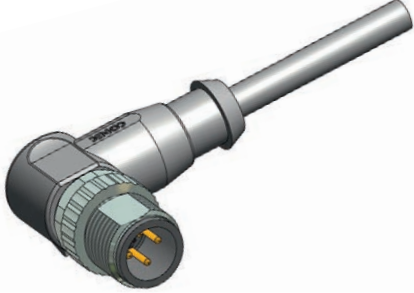
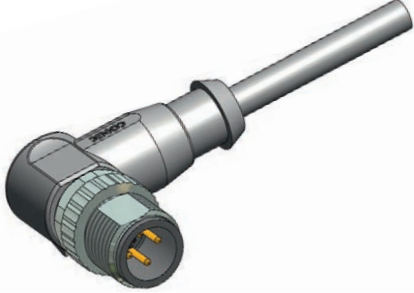
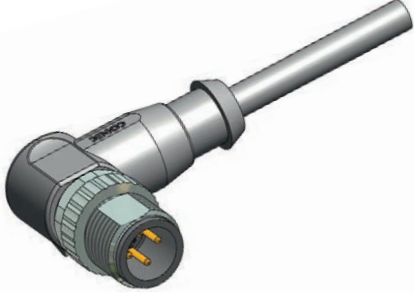
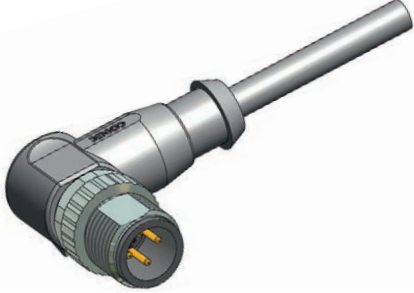
Pin 1 Pin 3 Pin 4	3	A	250	4		0,34	SAL-12-RS3-2/J1	43-10100
							SAL-12-RS3-3/J1	43-10101
							SAL-12-RS3-5/J1	43-10102
							SAL-12-RS3-10/J1	43-10103
Pin 1 Pin 2 Pin 3 Pin 4	4	A	250	4		0,34	SAL-12-RS4-2/J1	43-10120
							SAL-12-RS4-3/J1	43-10121
							SAL-12-RS4-5/J1	43-10122
							SAL-12-RS4-10/J1	43-10123
Pin 1 Pin 2 Pin 3 Pin 4 Pin 5	5	A	60	4		0,34	SAL-12-RS5-2/J1	43-10140
							SAL-12-RS5-3/J1	43-10141
							SAL-12-RS5-5/J1	43-10142
							SAL-12-RS5-10/J1	43-10143

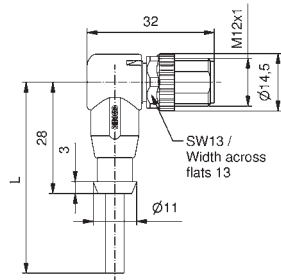
M12x1 CONNECTORS OVERMOULDED

Male connector angled

PVC, grey, LiYY

Contact assignment

	Number of poles	Coding	Rated voltage [V]	Current rating [A]	Cable length = L [m]	Wire cross section [mm ²]	Description	Part No.
	3	A	250	4	0,34	2	SAL-12-RSW3-2 / A1 / A1090	43-14424
						3	SAL-12-RSW3-3 / A1 / A1090	43-14425
						5	SAL-12-RSW3-5 / A1 / A1090	43-14426
						10	SAL-12-RSW3-10 / A1 / A1090	43-14427
	4	A	250	4	0,34	2	SAL-12-RSW4-2 / A1 / A1090	43-14436
						3	SAL-12-RSW4-3 / A1 / A1090	43-14437
						5	SAL-12-RSW4-5 / A1 / A1090	43-14438
						10	SAL-12-RSW4-10 / A1 / A1090	43-14439
	5	A	60	4	0,34	2	SAL-12-RSW5-2 / A1 / A1090	43-14448
						3	SAL-12-RSW5-3 / A1 / A1090	43-14449
						5	SAL-12-RSW5-5 / A1 / A1090	43-14450
						10	SAL-12-RSW5-10 / A1 / A1090	43-14451
	6	A	30	2	0,25	2	SAL-12-RSW6-2 / A1 / A1090	43-14460
						3	SAL-12-RSW6-3 / A1 / A1090	43-14461
						5	SAL-12-RSW6-5 / A1 / A1090	43-14462
						10	SAL-12-RSW6-10 / A1 / A1090	43-14463
	8	A	30	2	0,25	2	SAL-12-RSW8-2 / A1 / A1090	43-14468
						3	SAL-12-RSW8-3 / A1 / A1090	43-14469
						5	SAL-12-RSW8-5 / A1 / A1090	43-14470
						10	SAL-12-RSW8-10 / A1 / A1090	43-14471



- Pin 1 ■
- Pin 3 ■
- Pin 4 ■

- Pin 1 ■
- Pin 2 ■
- Pin 3 ■
- Pin 4 ■

- Pin 1 ■
- Pin 2 ■
- Pin 3 ■
- Pin 4 ■
- Pin 5 ■

- Pin 1 ■
- Pin 2 ■
- Pin 3 ■
- Pin 4 ■
- Pin 5 ■
- Pin 6 ■
- Pin 7 ■

- Pin 1 ■
- Pin 2 ■
- Pin 3 ■
- Pin 4 ■
- Pin 5 ■
- Pin 6 ■
- Pin 7 ■
- Pin 8 ■

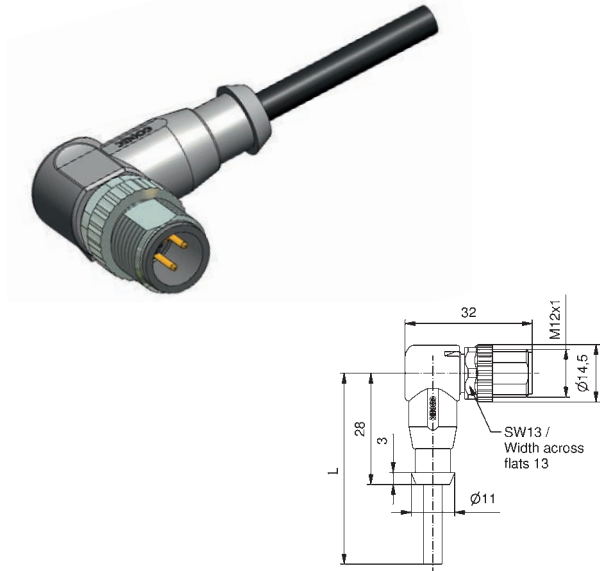
M12x1 CONNECTORS OVERMOULDED

Male connector angled

TPU, UL, halogenfree, black, Li9Y11Y

Contact assignment

Number of poles	Coding	Rated voltage [V]	Current rating [A]	Cable length = L [m]	Wire cross section [mm ²]	Description	Part No.
3	A	250	4	2	0,34	SAL-12-RSW3-2 / K1 / A1090	43-14428
						SAL-12-RSW3-3 / K1 / A1090	43-14429
						SAL-12-RSW3-5 / K1 / A1090	43-14430
						SAL-12-RSW3-10 / K1 / A1090	43-14431
4	A	250	4	2	0,34	SAL-12-RSW4-2 / K1 / A1090	43-14440
						SAL-12-RSW4-3 / K1 / A1090	43-14441
						SAL-12-RSW4-5 / K1 / A1090	43-14442
						SAL-12-RSW4-10 / K1 / A1090	43-14443
5	A	60	4	2	0,34	SAL-12-RSW5-2 / K1 / A1090	43-14452
						SAL-12-RSW5-3 / K1 / A1090	43-14453
						SAL-12-RSW5-5 / K1 / A1090	43-14454
						SAL-12-RSW5-10 / K1 / A1090	43-14455
6	A	30	2	2	0,25	SAL-12-RSW6-2 / K1 / A1090	43-14464
						SAL-12-RSW6-3 / K1 / A1090	43-14465
						SAL-12-RSW6-5 / K1 / A1090	43-14466
						SAL-12-RSW6-10 / K1 / A1090	43-14467
8	A	30	2	2	0,25	SAL-12-RSW8-2 / K1 / A1090	43-14472
						SAL-12-RSW8-3 / K1 / A1090	43-14473
						SAL-12-RSW8-5 / K1 / A1090	43-14474
						SAL-12-RSW8-10 / K1 / A1090	43-14475



Pin 1 Pin 3 Pin 4

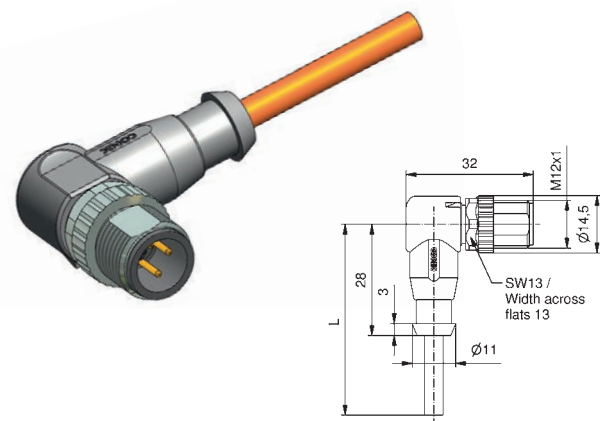
Pin 1 Pin 2 Pin 3 Pin 4

Pin 1 Pin 2 Pin 3 Pin 4 Pin 5

Pin 1 Pin 2 Pin 3 Pin 4 Pin 5 Pin 6 Pin 7

Pin 1 Pin 2 Pin 3 Pin 4 Pin 5 Pin 6 Pin 7 Pin 8

TPU, UL, irradiated, orange, Li12Y11X



Pin 1 Pin 3 Pin 4

Pin 1 Pin 2 Pin 3 Pin 4

Pin 1 Pin 2 Pin 3 Pin 4 Pin 5

3	A	250	4	2	0,34	SAL-12-RSW3-2 / J1 / A1090	43-14432
						SAL-12-RSW3-3 / J1 / A1090	43-14433
						SAL-12-RSW3-5 / J1 / A1090	43-14434
						SAL-12-RSW3-10 / J1 / A1090	43-14435
4	A	250	4	2	0,34	SAL-12-RSW4-2 / J1 / A1090	43-14444
						SAL-12-RSW4-3 / J1 / A1090	43-14445
						SAL-12-RSW4-5 / J1 / A1090	43-14446
						SAL-12-RSW4-10 / J1 / A1090	43-14447
5	A	60	4	2	0,34	SAL-12-RSW5-2 / J1 / A1090	43-14456
						SAL-12-RSW5-3 / J1 / A1090	43-14457
						SAL-12-RSW5-5 / J1 / A1090	43-14458
						SAL-12-RSW5-10 / J1 / A1090	43-14459

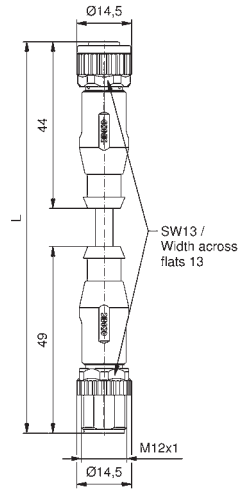
M12x1 CONNECTORS OVERMOULDED

Connecting cable

Female connector axial
Male connector axial

PVC, grey, LiYY

Contact assignment



Pin 1
Pin 3
Pin 4

Pin 1
Pin 2
Pin 3
Pin 4

Pin 1
Pin 2
Pin 3
Pin 4
Pin 5

Pin 1
Pin 2
Pin 3
Pin 4

Pin 4
Pin 6
Pin 7

Pin 1
Pin 2
Pin 3
Pin 4

Pin 5
Pin 6
Pin 7
Pin 8

Pin 1
Pin 2
Pin 3
Pin 4
Pin 5
Pin 6

Pin 7
Pin 8
Pin 9
Pin 10
Pin 11
Pin 12

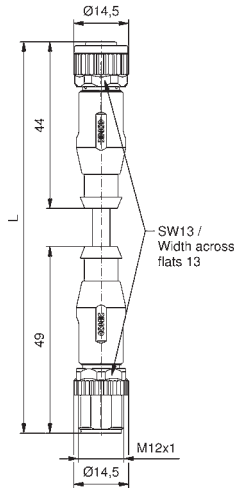
Number of poles	Coding	Rated voltage [V]	Current rating [A]	Cable length = L [m]	Wire cross section [mm ²]	Description	Part No.
3	A	250	4	0,34	0,3	SAL-12-RK3-RS3-0,3/A1	43-10544
					0,6	SAL-12-RK3-RS3-0,6/A1	43-10545
					1,5	SAL-12-RK3-RS3-1,5/A1	43-10546
					3	SAL-12-RK3-RS3-3/A1	43-10547
4	A	250	4	0,34	0,3	SAL-12-RK4-RS4-0,3/A1	43-10564
					0,6	SAL-12-RK4-RS4-0,6/A1	43-10565
					1,5	SAL-12-RK4-RS4-1,5/A1	43-10566
					3	SAL-12-RK4-RS4-3/A1	43-10567
5	A	60	4	0,34	0,3	SAL-12-RK5-RS5-0,3/A1	43-10584
					0,6	SAL-12-RK5-RS5-0,6/A1	43-10585
					1,5	SAL-12-RK5-RS5-1,5/A1	43-10586
					3	SAL-12-RK5-RS5-3/A1	43-10587
6	A	30	2	0,25	0,3	SAL-12-RK6-RS6-0,3/A1	43-11070
					0,6	SAL-12-RK6-RS6-0,6/A1	43-11071
					1,5	SAL-12-RK6-RS6-1,5/A1	43-11072
					3	SAL-12-RK6-RS6-3/A1	43-11073
8	A	30	2	0,25	0,3	SAL-12-RK8-RS8-0,3/A1	43-10596
					0,6	SAL-12-RK8-RS8-0,6/A1	43-10597
					1,5	SAL-12-RK8-RS8-1,5/A1	43-10598
					3	SAL-12-RK8-RS8-3/A1	43-10599
12	A	30	1,5	0,14	0,3	SAL-12-RK12-RS12-0,3/A3	43-15277
					0,6	SAL-12-RK12-RS12-0,6/A3	43-15278
					1,5	SAL-12-RK12-RS12-1,5/A3	43-15279
					3	SAL-12-RK12-RS12-3/A3	43-15280

M12x1 CONNECTORS OVERMOULDED

Connecting cable

Female connector axial
Male connector axial

TPU, UL, halogenfree, black, Li9Y11Y



Contact assignment

Pin 1
Pin 3
Pin 4

Pin 1
Pin 2
Pin 3
Pin 4

Pin 1
Pin 2
Pin 3
Pin 4
Pin 5

Pin 1
Pin 2
Pin 3

Number of poles

Coding

Rated voltage [V]

Current rating [A]

Cable length = L [m]

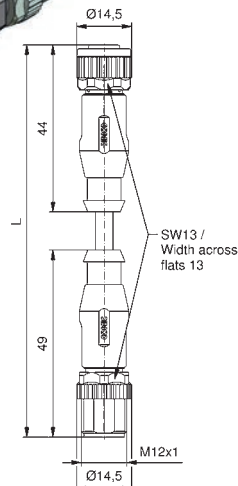
Wire cross section [mm²]

Description

Part No.

Contact assignment	Number of poles	Coding	Rated voltage [V]	Current rating [A]	Cable length = L [m]	Wire cross section [mm ²]	Description	Part No.
Pin 1 Pin 3 Pin 4	3	A	250	4	0,3	0,25	SAL-12-RK3-RS3-0,3/K1	43-10556
							SAL-12-RK3-RS3-0,6/K1	43-10557
							SAL-12-RK3-RS3-1,5/K1	43-10558
							SAL-12-RK3-RS3-3/K1	43-10559
Pin 1 Pin 2 Pin 3 Pin 4	4	A	250	4	0,3	0,25	SAL-12-RK4-RS4-0,3/K1	43-10576
							SAL-12-RK4-RS4-0,6/K1	43-10577
							SAL-12-RK4-RS4-1,5/K1	43-10578
							SAL-12-RK4-RS4-3/K1	43-10579
Pin 1 Pin 2 Pin 3 Pin 4 Pin 5	5	A	60	4	0,3	0,34	SAL-12-RK5-RS5-0,3/K1	43-10672
							SAL-12-RK5-RS5-0,6/K1	43-10673
							SAL-12-RK5-RS5-1,5/K1	43-10674
							SAL-12-RK5-RS5-3/K1	43-10675
Pin 1 Pin 2 Pin 3 Pin 4 Pin 5 Pin 6 Pin 7	6	A	30	2	0,3	0,25	SAL-12-RK6-RS6-0,3/K1	43-11078
							SAL-12-RK6-RS6-0,6/K1	43-11079
							SAL-12-RK6-RS6-1,5/K1	43-11080
							SAL-12-RK6-RS6-3/K1	43-11081
Pin 1 Pin 2 Pin 3 Pin 4 Pin 5 Pin 6 Pin 7 Pin 8	8	A	30	2	0,3	0,25	SAL-12-RK8-RS8-0,3/K1	43-11054
							SAL-12-RK8-RS8-0,6/K1	43-11055
							SAL-12-RK8-RS8-1,5/K1	43-11056
							SAL-12-RK8-RS8-3/K1	43-11057
Pin 1 Pin 2 Pin 3 Pin 4 Pin 5 Pin 6 Pin 7 Pin 8 Pin 9 Pin 10 Pin 11 Pin 12	12	A	30	1,5	0,3	0,14	SAL-12-RK12-RS12-0,3/K1	43-13662
							SAL-12-RK12-RS12-0,6/K1	43-15281
							SAL-12-RK12-RS12-1,5/K1	43-15282
							SAL-12-RK12-RS12-3/K1	43-15283

TPU, UL, irradiated, orange, Li2Y11X



Pin 1
Pin 3
Pin 4

Pin 1
Pin 2
Pin 3
Pin 4

Pin 1
Pin 2
Pin 3
Pin 4
Pin 5

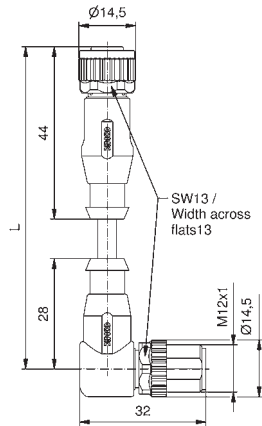
Contact assignment	Number of poles	Coding	Rated voltage [V]	Current rating [A]	Cable length = L [m]	Wire cross section [mm ²]	Description	Part No.
Pin 1 Pin 3 Pin 4	3	A	250	4	0,3	0,34	SAL-12-RK3-RS3-0,3/J1	43-10560
							SAL-12-RK3-RS3-0,6/J1	43-10561
							SAL-12-RK3-RS3-1,5/J1	43-10562
							SAL-12-RK3-RS3-3/J1	43-10563
Pin 1 Pin 2 Pin 3 Pin 4	4	A	250	4	0,3	0,34	SAL-12-RK4-RS4-0,3/J1	43-10580
							SAL-12-RK4-RS4-0,6/J1	43-10581
							SAL-12-RK4-RS4-1,5/J1	43-10582
							SAL-12-RK4-RS4-3/J1	43-10583
Pin 1 Pin 2 Pin 3 Pin 4 Pin 5	5	A	60	4	0,3	0,34	SAL-12-RK5-RS5-0,3/J1	43-10676
							SAL-12-RK5-RS5-0,6/J1	43-10677
							SAL-12-RK5-RS5-1,5/J1	43-10678
							SAL-12-RK5-RS5-3/J1	43-10679

M12x1 CONNECTORS OVERMOULDED

Connecting cable

Female connector axial
Male connector angled

PVC, grey, LiYY



Contact assignment

Pin 1 ■
Pin 3 ■
Pin 4 ■

Pin 1 ■
Pin 2 ■
Pin 3 ■
Pin 4 ■

Pin 1 ■
Pin 2 ■
Pin 3 ■
Pin 4 ■
Pin 5 ■

Pin 1 ■
Pin 2 ■
Pin 3 ■

Number of poles

Coding

Rated voltage [V]

Current rating [A]

Cable length = L [m]

Wire cross section [mm²]

Description

Part No.

Number of poles	Coding	Rated voltage [V]	Current rating [A]	Cable length = L [m]	Wire cross section [mm ²]	Description	Part No.
3	A	250	4	0,34	0,3	SAL-12-RK3-RSW3-0,3/A1/A1090	43-14593
					0,6	SAL-12-RK3-RSW3-0,6/A1/A1090	43-14594
					1,5	SAL-12-RK3-RSW3-1,5/A1/A1090	43-14595
					3	SAL-12-RK3-RSW3-3/A1/A1090	43-14596
4	A	250	4	0,34	0,3	SAL-12-RK4-RSW4-0,3/A1/A1090	43-14605
					0,6	SAL-12-RK4-RSW4-0,6/A1/A1090	43-14606
					1,5	SAL-12-RK4-RSW4-1,5/A1/A1090	43-14607
					3	SAL-12-RK4-RSW4-3/A1/A1090	43-14608
5	A	60	4	0,34	0,3	SAL-12-RK5-RSW5-0,3/A1/A1090	43-14617
					0,6	SAL-12-RK5-RSW5-0,6/A1/A1090	43-14618
					1,5	SAL-12-RK5-RSW5-1,5/A1/A1090	43-14619
					3	SAL-12-RK5-RSW5-3/A1/A1090	43-14620
6	A	30	2	0,25	0,3	SAL-12-RK6-RSW6-0,3/A1/A1090	43-14629
					0,6	SAL-12-RK6-RSW6-0,6/A1/A1090	43-14630
					1,5	SAL-12-RK6-RSW6-1,5/A1/A1090	43-14631
					3	SAL-12-RK6-RSW6-3/A1/A1090	43-14632
8	A	30	2	0,25	0,3	SAL-12-RK8-RSW8-0,3/A1/A1090	43-14637
					0,6	SAL-12-RK8-RSW8-0,6/A1/A1090	43-14638
					1,5	SAL-12-RK8-RSW8-1,5/A1/A1090	43-14639
					3	SAL-12-RK8-RSW8-3/A1/A1090	43-14640

Pin 4 ■
Pin 5 ■
Pin 6 ■
Pin 7 ■
Pin 8 ■

Pin 1 ■
Pin 2 ■
Pin 3 ■
Pin 4 ■

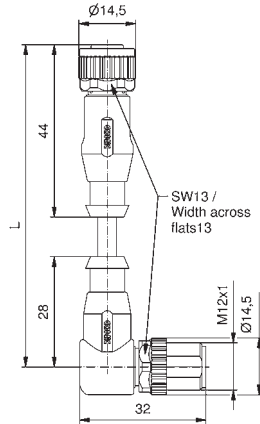
M12x1 CONNECTORS OVERMOULDED

Connecting cable

Female connector axial
Male connector angled

TPU, UL, halogenfree, black, Li9Y11Y

Contact assignment



Pin 1 ■
Pin 3 ■
Pin 4 ■

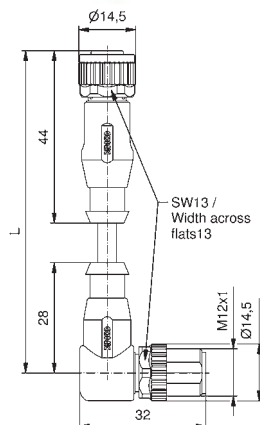
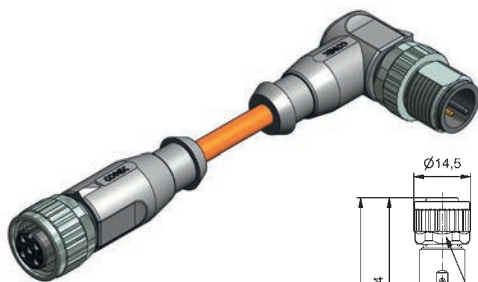
Pin 1 ■
Pin 2 ■
Pin 3 ■
Pin 4 ■

Pin 1 ■
Pin 2 ■
Pin 3 ■
Pin 4 ■
Pin 5 ■

Pin 1 ■
Pin 2 ■
Pin 3 ■

Number of poles	Coding	Rated voltage [V]	Current rating [A]	Cable length = L [m]	Wire cross section [mm ²]	Description	Part No.
3	A	250	4	0,34	0,3	SAL-12-RK3-RSW3-0,3 / K1 / A1090	43-14597
					0,6	SAL-12-RK3-RSW3-0,6 / K1 / A1090	43-14598
					1,5	SAL-12-RK3-RSW3-1,5 / K1 / A1090	43-14599
					3	SAL-12-RK3-RSW3-3 / K1 / A1090	43-14600
4	A	250	4	0,34	0,3	SAL-12-RK4-RSW4-0,3 / K1 / A1090	43-14609
					0,6	SAL-12-RK4-RSW4-0,6 / K1 / A1090	43-14610
					1,5	SAL-12-RK4-RSW4-1,5 / K1 / A1090	43-14611
					3	SAL-12-RK4-RSW4-3 / K1 / A1090	43-14612
5	A	60	4	0,34	0,3	SAL-12-RK5-RSW5-0,3 / K1 / A1090	43-14621
					0,6	SAL-12-RK5-RSW5-0,6 / K1 / A1090	43-14622
					1,5	SAL-12-RK5-RSW5-1,5 / K1 / A1090	43-14623
					3	SAL-12-RK5-RSW5-3 / K1 / A1090	43-14624
6	A	30	2	0,25	0,3	SAL-12-RK6-RSW6-0,3 / K1 / A1090	43-14633
					0,6	SAL-12-RK6-RSW6-0,6 / K1 / A1090	43-14634
					1,5	SAL-12-RK6-RSW6-1,5 / K1 / A1090	43-14635
					3	SAL-12-RK6-RSW6-3 / K1 / A1090	43-14636
8	A	30	2	0,25	0,3	SAL-12-RK8-RSW8-0,3 / K1 / A1090	43-14641
					0,6	SAL-12-RK8-RSW8-0,6 / K1 / A1090	43-14642
					1,5	SAL-12-RK8-RSW8-1,5 / K1 / A1090	43-14643
					3	SAL-12-RK8-RSW8-3 / K1 / A1090	43-14644

TPU, UL, irradiated, orange, Li12Y11X



Pin 1 ■
Pin 3 ■
Pin 4 ■

Pin 1 ■
Pin 2 ■
Pin 3 ■
Pin 4 ■

Pin 1 ■
Pin 2 ■
Pin 3 ■
Pin 4 ■
Pin 5 ■

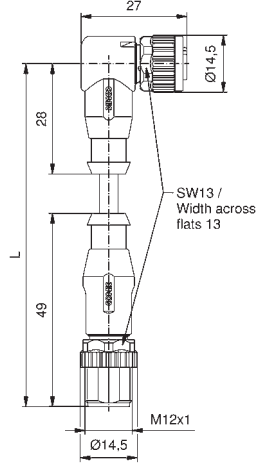
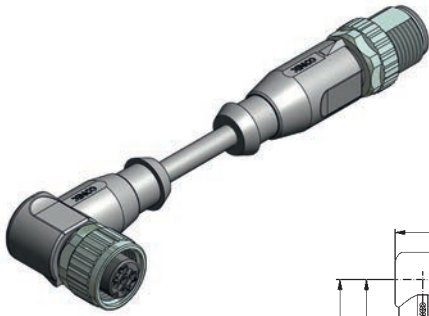
3	A	250	4	0,34	0,3	SAL-12-RK3-RSW3-0,3 / J1 / A1090	43-14601
					0,6	SAL-12-RK3-RSW3-0,6 / J1 / A1090	43-14602
					1,5	SAL-12-RK3-RSW3-1,5 / J1 / A1090	43-14603
					3	SAL-12-RK3-RSW3-3 / J1 / A1090	43-14604
4	A	250	4	0,34	0,3	SAL-12-RK4-RSW4-0,3 / J1 / A1090	43-14613
					0,6	SAL-12-RK4-RSW4-0,6 / J1 / A1090	43-14614
					1,5	SAL-12-RK4-RSW4-1,5 / J1 / A1090	43-14615
					3	SAL-12-RK4-RSW4-3 / J1 / A1090	43-14616
5	A	60	4	0,34	0,3	SAL-12-RK5-RSW5-0,3 / J1 / A1090	43-14625
					0,6	SAL-12-RK5-RSW5-0,6 / J1 / A1090	43-14626
					1,5	SAL-12-RK5-RSW5-1,5 / J1 / A1090	43-14627
					3	SAL-12-RK5-RSW5-3 / J1 / A1090	43-14628




























M12x1 CONNECTORS OVERMOULDED

Connecting cable

Female connector angled
Male connector axial

PVC, grey, LiYY



Contact assignment	Number of poles	Coding	Rated voltage [V]	Current rating [A]	Cable length = L [m]	Wire cross section [mm ²]	Description	Part No.
Pin 1  Pin 3  Pin 4 	3	A	250	4	0,34	0,3	SAL-12-RKW3-RS3-0,3/A1	43-10688
							SAL-12-RKW3-RS3-0,6/A1	43-10689
							SAL-12-RKW3-RS3-1,5/A1	43-10690
							SAL-12-RKW3-RS3-3/A1	43-10691
Pin 1  Pin 2  Pin 3  Pin 4 	4	A	250	4	0,34	0,3	SAL-12-RKW4-RS4-0,3/A1	43-10708
							SAL-12-RKW4-RS4-0,6/A1	43-10709
							SAL-12-RKW4-RS4-1,5/A1	43-10710
							SAL-12-RKW4-RS4-3/A1	43-10711
Pin 1  Pin 2  Pin 3  Pin 4  Pin 5 	5	A	60	4	0,34	0,3	SAL-12-RKW5-RS5-0,3/A1	43-10952
							SAL-12-RKW5-RS5-0,6/A1	43-10953
							SAL-12-RKW5-RS5-1,5/A1	43-10954
							SAL-12-RKW5-RS5-3/A1	43-10955
Pin 1  Pin 2  Pin 3  Pin 4  Pin 5  Pin 6  Pin 7 	6	A	30	2	0,25	0,3	SAL-12-RKW6-RS6-0,3/A1	43-11082
							SAL-12-RKW6-RS6-0,6/A1	43-11083
							SAL-12-RKW6-RS6-1,5/A1	43-11084
							SAL-12-RKW6-RS6-3/A1	43-11085
Pin 1  Pin 2  Pin 3  Pin 4  Pin 5  Pin 6  Pin 7  Pin 8 	8	A	30	2	0,25	0,3	SAL-12-RKW8-RS8-0,3/A1	43-10728
							SAL-12-RKW8-RS8-0,6/A1	43-10729
							SAL-12-RKW8-RS8-1,5/A1	43-10730
							SAL-12-RKW8-RS8-3/A1	43-10731

M12x1 CONNECTORS OVERMOULDED

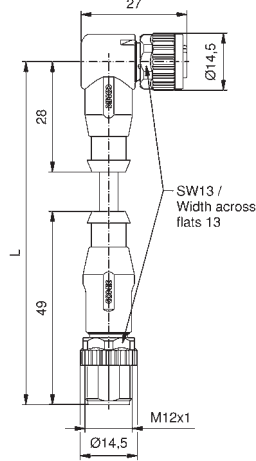
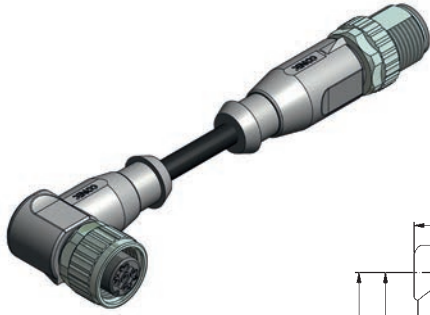
Connecting cable

Female connector angled
Male connector axial

TPU, UL, halogenfree, black, Li9Y11Y


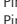



Contact assignment

Number of poles	Coding	Rated voltage [V]	Current rating [A]	Cable length = L [m]	Wire cross section [mm ²]	Description	Part No.
3	A	250	4	0,34	0,3	SAL-12-RKW3-RS3-0,3/K1	43-10700
					0,6	SAL-12-RKW3-RS3-0,6/K1	43-10701
					1,5	SAL-12-RKW3-RS3-1,5/K1	43-10702
					3	SAL-12-RKW3-RS3-3/K1	43-10703
4	A	250	4	0,34	0,3	SAL-12-RKW4-RS4-0,3/K1	43-10720
					0,6	SAL-12-RKW4-RS4-0,6/K1	43-10721
					1,5	SAL-12-RKW4-RS4-1,5/K1	43-10722
					3	SAL-12-RKW4-RS4-3/K1	43-10723
5	A	60	4	0,34	0,3	SAL-12-RKW5-RS5-0,3/K1	43-10964
					0,6	SAL-12-RKW5-RS5-0,6/K1	43-10965
					1,5	SAL-12-RKW5-RS5-1,5/K1	43-10966
					3	SAL-12-RKW5-RS5-3/K1	43-10967
6	A	30	2	0,25	0,3	SAL-12-RKW6-RS6-0,3/K1	43-11086
					0,6	SAL-12-RKW6-RS6-0,6/K1	43-11087
					1,5	SAL-12-RKW6-RS6-1,5/K1	43-11088
					3	SAL-12-RKW6-RS6-3/K1	43-11089
8	A	30	2	0,25	0,3	SAL-12-RKW8-RS8-0,3/K1	43-11106
					0,6	SAL-12-RKW8-RS8-0,6/K1	43-11107
					1,5	SAL-12-RKW8-RS8-1,5/K1	43-11108
					3	SAL-12-RKW8-RS8-3/K1	43-11109



Pin 1 
Pin 3 
Pin 4 

Pin 1 
Pin 2 
Pin 3 
Pin 4 

Pin 1 
Pin 2 
Pin 3 
Pin 4 
Pin 5 

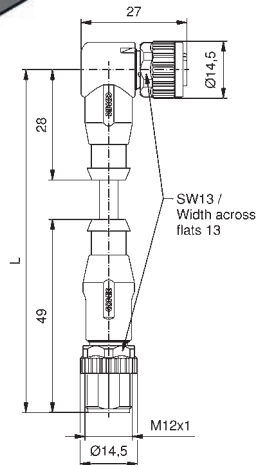
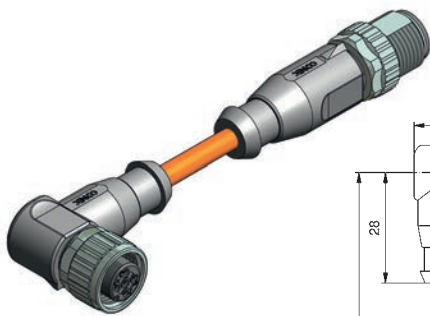
Pin 1 
Pin 2 
Pin 3 

Pin 4 
Pin 6 
Pin 7 

Pin 1 
Pin 2 
Pin 3 
Pin 4 

Pin 5 
Pin 6 
Pin 7 
Pin 8 

TPU, UL, irradiated, orange, Li12Y11X



Pin 1 
Pin 3 
Pin 4 

Pin 1 
Pin 2 
Pin 3 
Pin 4 

Pin 1 
Pin 2 
Pin 3 
Pin 4 
Pin 5 

3	A	250	4	0,34	0,3	SAL-12-RKW3-RS3-0,3/J1	43-10704
					0,6	SAL-12-RKW3-RS3-0,6/J1	43-10705
					1,5	SAL-12-RKW3-RS3-1,5/J1	43-10706
					3	SAL-12-RKW3-RS3-3/J1	43-10707
4	A	250	4	0,34	0,3	SAL-12-RKW4-RS4-0,3/J1	43-10724
					0,6	SAL-12-RKW4-RS4-0,6/J1	43-10725
					1,5	SAL-12-RKW4-RS4-1,5/J1	43-10726
					3	SAL-12-RKW4-RS4-3/J1	43-10727
5	A	60	4	0,34	0,3	SAL-12-RKW5-RS5-0,3/J1	43-10968
					0,6	SAL-12-RKW5-RS5-0,6/J1	43-10969
					1,5	SAL-12-RKW5-RS5-1,5/J1	43-10970
					3	SAL-12-RKW5-RS5-3/J1	43-10971

M12x1 CONNECTORS OVERMOULDED

Connecting cable with 2-LED

Female connector angled with 2-LED
Male connector axial

PVC, grey, LiYY

Contact assignment

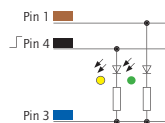
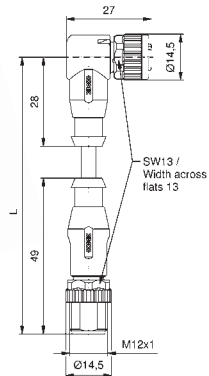
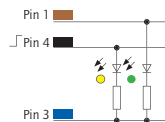
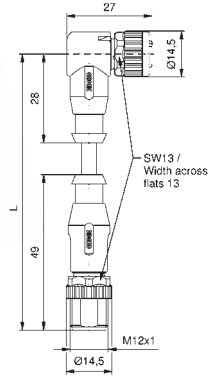
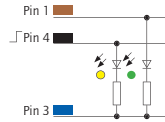
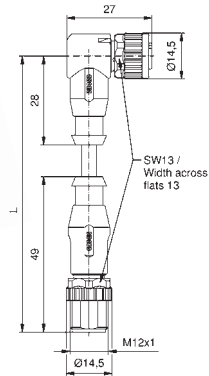
Number of poles	Coding	Rated voltage [V]	Current rating [A]	Cable length = L [m]	Wire cross section [mm ²]	Description	Part No.
3	A	30	4	0,3	0,34	SAL-12-RKW3-RS3-2L-0,3/A1	43-10392
						SAL-12-RKW3-RS3-2L-0,6/A1	43-10393
						SAL-12-RKW3-RS3-2L-1,5/A1	43-10394
						SAL-12-RKW3-RS3-2L-3/A1	43-10395

TPU, UL, halogenfree, black, Li9Y11Y

3	A	30	4	0,3	0,34	SAL-12-RKW3-RS3-2L-0,3/K1	43-10884
						SAL-12-RKW3-RS3-2L-0,6/K1	43-10885
						SAL-12-RKW3-RS3-2L-1,5/K1	43-10886
						SAL-12-RKW3-RS3-2L-3/K1	43-10887

TPU, UL, irradiated, orange, Li12Y11X

3	A	30	4	0,3	0,34	SAL-12-RKW3-RS3-2L-0,3/J1	43-10888
						SAL-12-RKW3-RS3-2L-0,6/J1	43-10889
						SAL-12-RKW3-RS3-2L-1,5/J1	43-10890
						SAL-12-RKW3-RS3-2L-3/J1	43-10891



M12x1 CONNECTORS OVERMOULDED

Connecting cable with 3-LED

Female connector angled with 3-LED
Male connector axial

PVC, grey, LiYY

Contact assignment

Number of poles

Coding

Rated voltage [V]


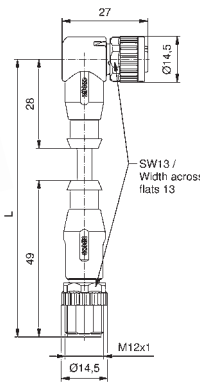
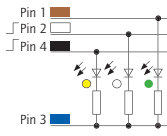
Current rating [A]

Cable length = L [m]


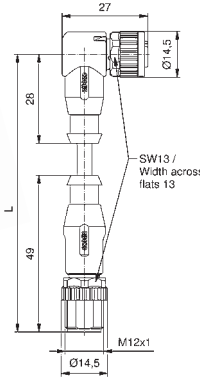
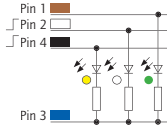
Wire cross section [mm²]

Description


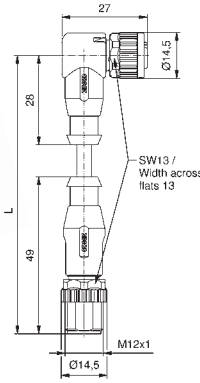
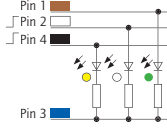
Part No.

			4	A	30	4	0,34	0,3	SAL-12-RKW4-RS4-3L-0,3 / A1	43-10416
								0,6	SAL-12-RKW4-RS4-3L-0,6 / A1	43-10417
								1,5	SAL-12-RKW4-RS4-3L-1,5 / A1	43-10418
								3	SAL-12-RKW4-RS4-3L-3 / A1	43-10419
			5	A	30	4	0,34	0,3	SAL-12-RKW5-RS5-3L-0,3 / A1	43-10848
								0,6	SAL-12-RKW5-RS5-3L-0,6 / A1	43-10849
								1,5	SAL-12-RKW5-RS5-3L-1,5 / A1	43-10850
								3	SAL-12-RKW5-RS5-3L-3 / A1	43-10851

TPU, UL, halogenfree, black, Li9Y11Y

			4	A	30	4	0,34	0,3	SAL-12-RKW4-RS4-3L-0,3 / K1	43-10840
								0,6	SAL-12-RKW4-RS4-3L-0,6 / K1	43-10841
								1,5	SAL-12-RKW4-RS4-3L-1,5 / K1	43-10842
								3	SAL-12-RKW4-RS4-3L-3 / K1	43-10843
			5	A	30	4	0,34	0,3	SAL-12-RKW5-RS5-3L-0,3 / K1	43-10860
								0,6	SAL-12-RKW5-RS5-3L-0,6 / K1	43-10861
								1,5	SAL-12-RKW5-RS5-3L-1,5 / K1	43-10862
								3	SAL-12-RKW5-RS5-3L-3 / K1	43-10863

TPU, UL, irradiated, orange, Li12Y11X

			4	A	30	4	0,34	0,3	SAL-12-RKW4-RS4-3L-0,3 / J1	43-10844
								0,6	SAL-12-RKW4-RS4-3L-0,6 / J1	43-10845
								1,5	SAL-12-RKW4-RS4-3L-1,5 / J1	43-10846
								3	SAL-12-RKW4-RS4-3L-3 / J1	43-10847
			5	A	30	4	0,34	0,3	SAL-12-RKW5-RS5-3L-0,3 / J1	43-10864
								0,6	SAL-12-RKW5-RS5-3L-0,6 / J1	43-10865
								1,5	SAL-12-RKW5-RS5-3L-1,5 / J1	43-10866
								3	SAL-12-RKW5-RS5-3L-3 / J1	43-10867

M12x1 – M8x1 CONNECTORS OVERMOULDED

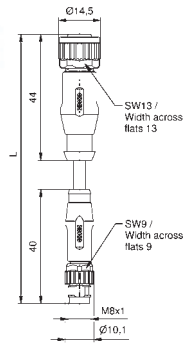
Connecting cable

Female connector M12x1, axial
Male connector M8x1, axial

PVC, grey, LiYY

Contact assignment

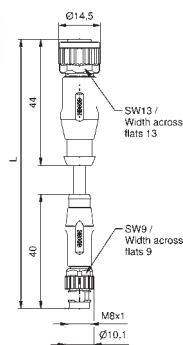
Number of poles	Coding	Rated voltage [V]	Current rating [A]	Cable length = L [m]	Wire cross section [mm ²]	Description	Part No.
3	A	50 V AC / 60 V DC	3	0,3	0,25	SAL-12-RK3-8-RS3-0,3/A1	43-11430
						SAL-12-RK3-8-RS3-0,6/A1	43-11431
						SAL-12-RK3-8-RS3-1,5/A1	43-11432
						SAL-12-RK3-8-RS3-3/A1	43-11433



Pin 1 ■
Pin 3 ■
Pin 4 ■

TPU, UL, halogenfree, black, Li9Y11Y

3	A	50 V AC / 60 V DC	3	0,3	0,25	SAL-12-RK3-8-RS3-0,3/K1	43-11434
						SAL-12-RK3-8-RS3-0,6/K1	43-11435
						SAL-12-RK3-8-RS3-1,5/K1	43-11436
						SAL-12-RK3-8-RS3-3/K1	43-11437

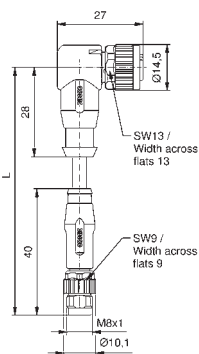


Pin 1 ■
Pin 3 ■
Pin 4 ■

Female connector M12x1, angled
Male connector M8x1, axial

PVC, grey, LiYY

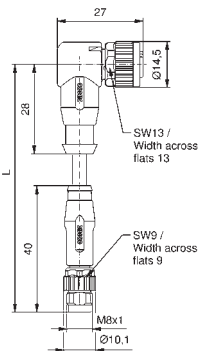
3	A	50 V AC / 60 V DC	3	0,3	0,25	SAL-12-RKW3-8-RS3-0,3/A1	43-11438
						SAL-12-RKW3-8-RS3-0,6/A1	43-11439
						SAL-12-RKW3-8-RS3-1,5/A1	43-11440
						SAL-12-RKW3-8-RS3-3/A1	43-11441



Pin 1 ■
Pin 3 ■
Pin 4 ■

TPU, UL, halogenfree, black, Li9Y11Y

3	A	50 V AC / 60 V DC	3	0,3	0,25	SAL-12-RKW3-8-RS3-0,3/K1	43-11442
						SAL-12-RKW3-8-RS3-0,6/K1	43-11443
						SAL-12-RKW3-8-RS3-1,5/K1	43-11444
						SAL-12-RKW3-8-RS3-3/K1	43-11445



Pin 1 ■
Pin 3 ■
Pin 4 ■

M12x1 – M8x1 CONNECTORS OVERMOULDED

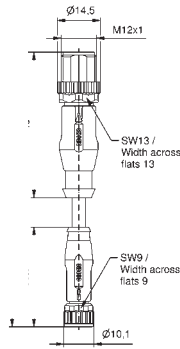
Connecting cable

Male connector M12x1, axial
Female connector M8x1, axial

PVC, grey, LiYY

Contact assignment

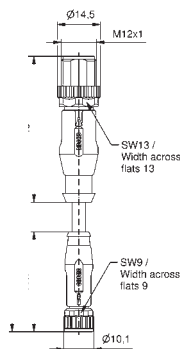
Number of poles	Coding	Rated voltage [V]	Current rating [A]	Cable length = L [m]	Wire cross section [mm ²]	Description	Part No.
3	A	50 V AC / 60 V DC	3	0,3	0,25	SAL-12-RS3-8-RK3-0,3/A1	43-11446
						SAL-12-RS3-8-RK3-0,6/A1	43-11447
						SAL-12-RS3-8-RK3-1,5/A1	43-11448
						SAL-12-RS3-8-RK3-3/A1	43-11449



Pin 1 ■
Pin 3 ■
Pin 4 ■

TPU, UL, halogenfree, black, Li9Y11Y

3	A	50 V AC / 60 V DC	3	0,3	0,25	SAL-12-RS3-8-RK3-0,3/K1	43-11450
						SAL-12-RS3-8-RK3-0,6/K1	43-11451
						SAL-12-RS3-8-RK3-1,5/K1	43-11452
						SAL-12-RS3-8-RK3-3/K1	43-11453

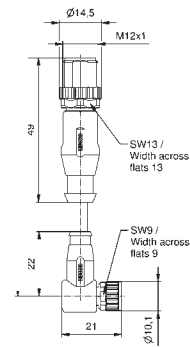


Pin 1 ■
Pin 3 ■
Pin 4 ■

Male connector M12x1, axial
Female connector M8x1, angled

PVC, grey, LiYY

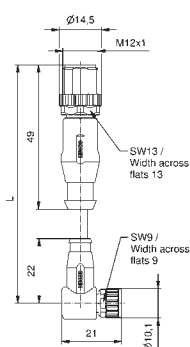
3	A	50 V AC / 60 V DC	3	0,3	0,25	SAL-12-RS3-8-RKW3-0,3/A1	43-11454
						SAL-12-RS3-8-RKW3-0,6/A1	43-11455
						SAL-12-RS3-8-RKW3-1,5/A1	43-11456
						SAL-12-RS3-8-RKW3-3/A1	43-11457



Pin 1 ■
Pin 3 ■
Pin 4 ■

TPU, UL, halogenfree, black, Li9Y11Y

3	A	50 V AC / 60 V DC	3	0,3	0,25	SAL-12-RS3-8-RKW3-0,3/K1	43-11458
						SAL-12-RS3-8-RKW3-0,6/K1	43-11459
						SAL-12-RS3-8-RKW3-1,5/K1	43-11460
						SAL-12-RS3-8-RKW3-3/K1	43-11461



Pin 1 ■
Pin 3 ■
Pin 4 ■

M12x1 CONNECTORS OVERMOULDED

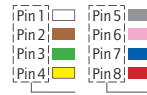
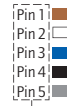
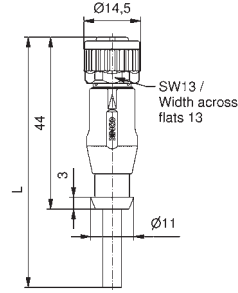
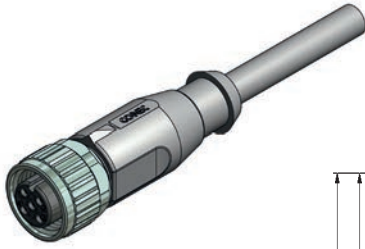
360° shielding

Female connector axial

PVC, UL, grey, LiYCY

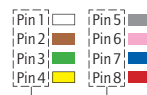
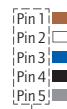
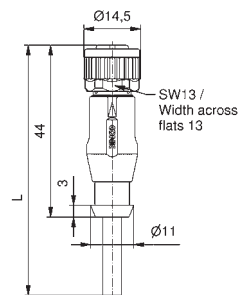
Contact assignment

Number of poles	Coding	Rated voltage [V]	Current rating [A]	Cable length = L [m]	Wire cross section [mm ²]	Description	Part No.
4	A	160	4	0,34	2	SAL-12S-RK4-2/G3	43-10336
					3	SAL-12S-RK4-3/G3	43-10337
					5	SAL-12S-RK4-5/G3	43-10338
					10	SAL-12S-RK4-10/G3	43-10339
5	A	60	4	0,25	2	SAL-12S-RK5.1-2/G3	43-10344
					3	SAL-12S-RK5.1-3/G3	43-10345
					5	SAL-12S-RK5.1-5/G3	43-10346
					10	SAL-12S-RK5.1-10/G3	43-10347
8	A	30	2	0,25	2	SAL-12S-RK8-2/G3	43-10972
					3	SAL-12S-RK8-3/G3	43-10973
					5	SAL-12S-RK8-5/G3	43-10974
					10	SAL-12S-RK8-10/G3	43-10975
12	A	30	1,5	0,14	2	SAL-12S-RK12-2/G3	43-11280
					3	SAL-12S-RK12-3/G3	43-11281
					5	SAL-12S-RK12-5/G3	43-11282
					10	SAL-12S-RK12-10/G3	43-11283



TPU, UL, halogenfree, black, Li9YC11Y

4	A	160	4	0,34	2	SAL-12S-RK4-2/G2	43-10340
					3	SAL-12S-RK4-3/G2	43-10341
					5	SAL-12S-RK4-5/G2	43-10342
					10	SAL-12S-RK4-10/G2	43-10343
5	A	60	4	0,25	2	SAL-12S-RK5.1-2/G2	43-10348
					3	SAL-12S-RK5.1-3/G2	43-10349
					5	SAL-12S-RK5.1-5/G2	43-10350
					10	SAL-12S-RK5.1-10/G2	43-10351
8	A	30	2	0,25	2	SAL-12S-RK8-2/G2	43-10976
					3	SAL-12S-RK8-3/G2	43-10977
					5	SAL-12S-RK8-5/G2	43-10978
					10	SAL-12S-RK8-10/G2	43-10979
12	A	30	1,5	0,14	2	SAL-12S-RK12-2/G2	43-11284
					3	SAL-12S-RK12-3/G2	43-11285
					5	SAL-12S-RK12-5/G2	43-11286
					10	SAL-12S-RK12-10/G2	43-11287

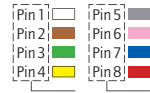
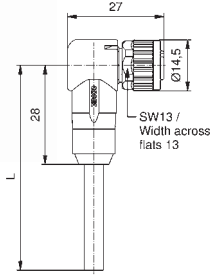


M12x1 CONNECTORS OVERMOULDED 360° shielding

Female connector angled

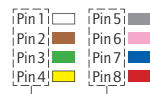
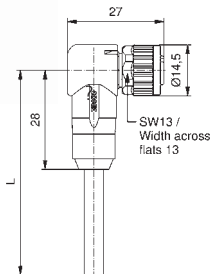
PVC, UL, grey, LiYCY

Contact assignment



Number of poles	Coding	Rated voltage [V]	Current rating [A]	Cable length = L [m]	Wire cross section [mm ²]	Description	Part No.
4	A	160	4	0,34	2	SAL-12S-RKW4-2/G3	43-12415
					3	SAL-12S-RKW4-3/G3	43-12416
					5	SAL-12S-RKW4-5/G3	43-12417
					10	SAL-12S-RKW4-10/G3	43-12418
5	A	60	4	0,25	2	SAL-12S-RKW5.1-2/G3	43-12423
					3	SAL-12S-RKW5.1-3/G3	43-12424
					5	SAL-12S-RKW5.1-5/G3	43-12425
					10	SAL-12S-RKW5.1-10/G3	43-12426
8	A	30	2	0,25	2	SAL-12S-RKW8-2/G3	43-12431
					3	SAL-12S-RKW8-3/G3	43-12432
					5	SAL-12S-RKW8-5/G3	43-12433
					10	SAL-12S-RKW8-10/G3	43-12434

TPU, UL, halogenfree, black, Li9YC11Y



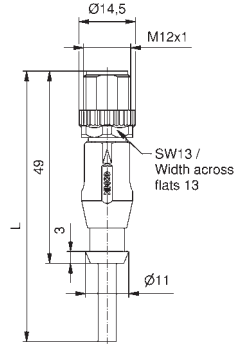
4	A	160	4	0,34	2	SAL-12S-RKW4-2/G2	43-12419
					3	SAL-12S-RKW4-3/G2	43-12420
					5	SAL-12S-RKW4-5/G2	43-12421
					10	SAL-12S-RKW4-10/G2	43-12422
5	A	60	4	0,25	2	SAL-12S-RKW5.1-2/G2	43-12427
					3	SAL-12S-RKW5.1-3/G2	43-12428
					5	SAL-12S-RKW5.1-5/G2	43-12429
					10	SAL-12S-RKW5.1-10/G2	43-12430
8	A	30	2	0,25	2	SAL-12S-RKW8-2/G2	43-12435
					3	SAL-12S-RKW8-3/G2	43-12436
					5	SAL-12S-RKW8-5/G2	43-12437
					10	SAL-12S-RKW8-10/G2	43-12438

M12x1 CONNECTORS OVERMOULDED

360° shielding

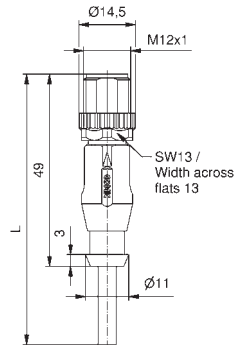
Male connector axial

PVC, UL, grey, LiYCY



Contact assignment	Number of poles	Coding	Rated voltage [V]	Current rating [A]	Cable length = L [m]	Wire cross section [mm ²]	Description	Part No.
	4	A	160	4	0,34	2	SAL-12S-RS4-2 / G3	43-10352
						3	SAL-12S-RS4-3 / G3	43-10353
						5	SAL-12S-RS4-5 / G3	43-10354
						10	SAL-12S-RS4-10 / G3	43-10355
	5	A	60	4	0,25	2	SAL-12S-RS5.1-2 / G3	43-10360
						3	SAL-12S-RS5.1-3 / G3	43-10361
						5	SAL-12S-RS5.1-5 / G3	43-10362
						10	SAL-12S-RS5.1-10 / G3	43-10363
	8	A	30	2	0,25	2	SAL-12S-RS8-2 / G3	43-10980
						3	SAL-12S-RS8-3 / G3	43-10981
						5	SAL-12S-RS8-5 / G3	43-10982
						10	SAL-12S-RS8-10 / G3	43-10983
	12	A	30	1,5	0,14	2	SAL-12S-RS12-2 / G3	43-11288
						3	SAL-12S-RS12-3 / G3	43-11289
						5	SAL-12S-RS12-5 / G3	43-11290
						10	SAL-12S-RS12-10 / G3	43-11291

TPU, UL, halogenfree, black, Li9YC11Y



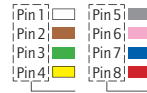
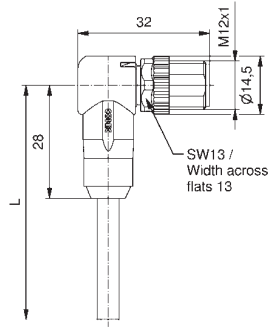
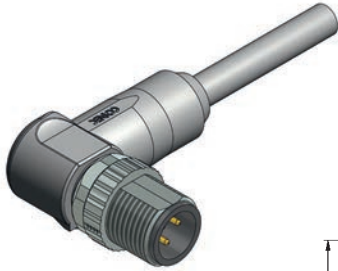
	4	A	160	4	0,34	2	SAL-12S-RS4-2 / G2	43-10356
						3	SAL-12S-RS4-3 / G2	43-10357
						5	SAL-12S-RS4-5 / G2	43-10358
						10	SAL-12S-RS4-10 / G2	43-10359
	5	A	60	4	0,25	2	SAL-12S-RS5.1-2 / G2	43-10364
						3	SAL-12S-RS5.1-3 / G2	43-10365
						5	SAL-12S-RS5.1-5 / G2	43-10366
						10	SAL-12S-RS5.1-10 / G2	43-10367
	8	A	30	2	0,25	2	SAL-12S-RS8-2 / G2	43-10984
						3	SAL-12S-RS8-3 / G2	43-10985
						5	SAL-12S-RS8-5 / G2	43-10986
						10	SAL-12S-RS8-10 / G2	43-10987
	12	A	30	1,5	0,14	2	SAL-12S-RS12-2 / G2	43-11292
						3	SAL-12S-RS12-3 / G2	43-11293
						5	SAL-12S-RS12-5 / G2	43-11294
						10	SAL-12S-RS12-10 / G2	43-11295

M12x1 CONNECTORS OVERMOULDED 360° shielding

Male connector angled

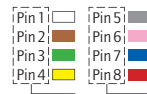
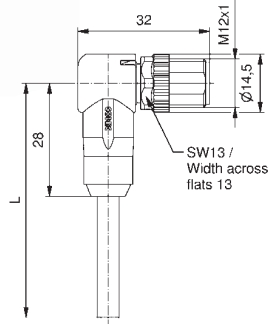
PVC, UL, grey, LiYCY

Contact assignment



Number of poles	Coding	Rated voltage [V]	Current rating [A]	Cable length = L [m]	Wire cross section [mm ²]	Description	Part No.
4	A	160	4	0,34	2	SAL-12S-RSW4-2/G3/A1090	43-14852
					3	SAL-12S-RSW4-3/G3/A1090	43-14853
					5	SAL-12S-RSW4-5/G3/A1090	43-14854
					10	SAL-12S-RSW4-10/G3/A1090	43-14855
5	A	60	4	0,25	2	SAL-12S-RSW5.1-2/G3/A1090	43-14860
					3	SAL-12S-RSW5.1-3/G3/A1090	43-14861
					5	SAL-12S-RSW5.1-5/G3/A1090	43-14862
					10	SAL-12S-RSW5.1-10/G3/A1090	43-14863
8	A	30	2	0,25	2	SAL-12S-RSW8-2/G3/A1090	43-14868
					3	SAL-12S-RSW8-3/G3/A1090	43-14869
					5	SAL-12S-RSW8-5/G3/A1090	43-14870
					10	SAL-12S-RSW8-10/G3/A1090	43-14871

TPU, UL, halogenfree, black, Li9YC11Y



4	A	160	4	0,34	2	SAL-12S-RSW4-2/G2/A1090	43-14856
					3	SAL-12S-RSW4-3/G2/A1090	43-14857
					5	SAL-12S-RSW4-5/G2/A1090	43-14858
					10	SAL-12S-RSW4-10/G2/A1090	43-14859
5	A	60	4	0,25	2	SAL-12S-RSW5.1-2/G2/A1090	43-14864
					3	SAL-12S-RSW5.1-3/G2/A1090	43-14865
					5	SAL-12S-RSW5.1-5/G2/A1090	43-14866
					10	SAL-12S-RSW5.1-10/G2/A1090	43-14867
8	A	30	2	0,25	2	SAL-12S-RSW8-2/G2/A1090	43-14872
					3	SAL-12S-RSW8-3/G2/A1090	43-14873
					5	SAL-12S-RSW8-5/G2/A1090	43-14874
					10	SAL-12S-RSW8-10/G2/A1090	43-14875

M12x1 CONNECTORS OVERMOULDED

Connecting cable with 360° shielding

Female connector axial
Male connector axial

PVC, UL, grey, LiYCY

Contact assignment

		Number of poles	Coding	Rated voltage [V]	Current rating [A]	Cable length = L [m]	Wire cross section [mm ²]	Description	Part No.
		4	A	160	4	0,34	0,3	SAL-12S-RK4-RS4-0,3/G3	43-10812
							0,6	SAL-12S-RK4-RS4-0,6/G3	43-10813
							1,5	SAL-12S-RK4-RS4-1,5/G3	43-10814
							3	SAL-12S-RK4-RS4-3/G3	43-10815
		5	A	60	4	0,25	0,3	SAL-12S-RK5.1-RS5.1-0,3/G3	43-10824
							0,6	SAL-12S-RK5.1-RS5.1-0,6/G3	43-10825
							1,5	SAL-12S-RK5.1-RS5.1-1,5/G3	43-10826
							3	SAL-12S-RK5.1-RS5.1-3/G3	43-10827
		8	A	30	2	0,25	0,3	SAL-12S-RK8-RS8-0,3/G3	43-10988
							0,6	SAL-12S-RK8-RS8-0,6/G3	43-10989
							1,5	SAL-12S-RK8-RS8-1,5/G3	43-10990
							3	SAL-12S-RK8-RS8-3/G3	43-10991
	12	A	30	1,5	0,14	0,3	SAL-12S-RK12-RS12-0,3/G3	43-15284	
						0,6	SAL-12S-RK12-RS12-0,6/G3	43-15285	
						1,5	SAL-12S-RK12-RS12-1,5/G3	43-15286	
						3	SAL-12S-RK12-RS12-3/G3	43-15287	

TPU, UL, halogenfree, black, Li9YC11Y

		4	A	160	4	0,34	0,3	SAL-12S-RK4-RS4-0,3/G2	43-10820
							0,6	SAL-12S-RK4-RS4-0,6/G2	43-10821
							1,5	SAL-12S-RK4-RS4-1,5/G2	43-10822
							3	SAL-12S-RK4-RS4-3/G2	43-10823
		5	A	60	4	0,25	0,3	SAL-12S-RK5.1-RS5.1-0,3/G2	43-10832
							0,6	SAL-12S-RK5.1-RS5.1-0,6/G2	43-10833
							1,5	SAL-12S-RK5.1-RS5.1-1,5/G2	43-10834
							3	SAL-12S-RK5.1-RS5.1-3/G2	43-10835
		8	A	30	2	0,25	0,3	SAL-12S-RK8-RS8-0,3/G2	43-10992
							0,6	SAL-12S-RK8-RS8-0,6/G2	43-10993
							1,5	SAL-12S-RK8-RS8-1,5/G2	43-10994
							3	SAL-12S-RK8-RS8-3/G2	43-10995
	12	A	30	1,5	0,14	0,3	SAL-12S-RK12-RS12-0,3/G2	43-15288	
						0,6	SAL-12S-RK12-RS12-0,6/G2	43-15289	
						1,5	SAL-12S-RK12-RS12-1,5/G2	43-15290	
						3	SAL-12S-RK12-RS12-3/G2	43-15031	

M12x1 CONNECTORS OVERMOULDED C-coding

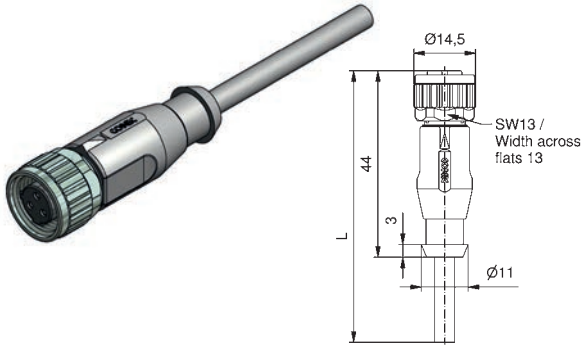
Female connector axial

PVC, grey, LiYY

Contact assignment

Number of poles	Coding	Rated voltage [V]	Current rating [A]	Cable length = L [m]	Wire cross section [mm ²]
2+PE	C	250	4	0,34	2
					3
					5
					10
3+PE	C	250	4	0,34	2
					3
					5
					10

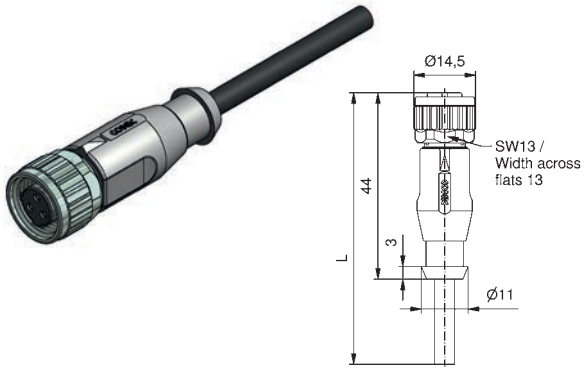
Description	Part No.
SAL-12C-RK2PE-2 / A1	43-15297
SAL-12C-RK2PE-3 / A1	43-15298
SAL-12C-RK2PE-5 / A1	43-15299
SAL-12C-RK2PE-10 / A1	43-15300
SAL-12C-RK3PE-2 / A1	43-15305
SAL-12C-RK3PE-3 / A1	43-15306
SAL-12C-RK3PE-5 / A1	43-15307
SAL-12C-RK3PE-10 / A1	43-15308



PE
Pin 2
Pin 3

Pin 1
Pin 2
Pin 3
PE

TPU, UL, halogenfree, black, Li9Y11Y

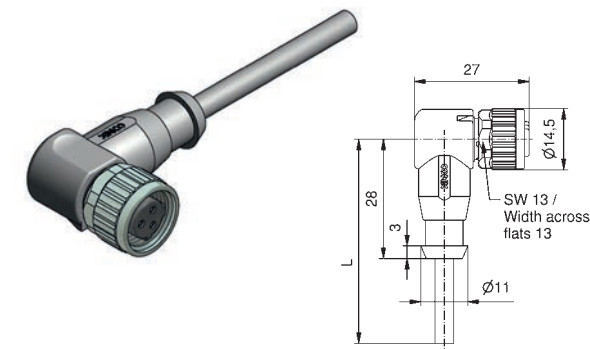


PE
Pin 2
Pin 3

Pin 1
Pin 2
Pin 3
PE

Female connector angled

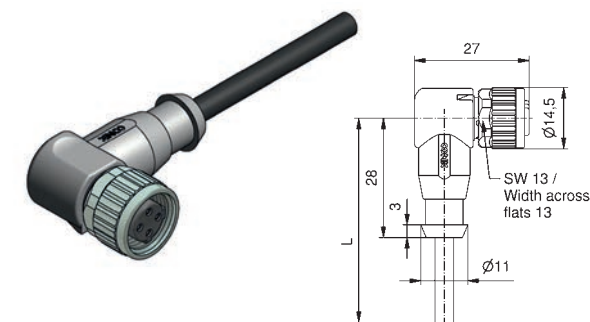
PVC, grey, LiYY



PE
Pin 2
Pin 3

Pin 1
Pin 2
Pin 3
PE

TPU, UL, halogenfree, black, Li9Y11Y



PE
Pin 2
Pin 3

Pin 1
Pin 2
Pin 3
PE

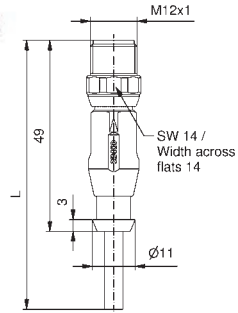
M12x1 CONNECTORS OVERMOULDED C-coding

Male connector axial

PVC, grey, LiYY

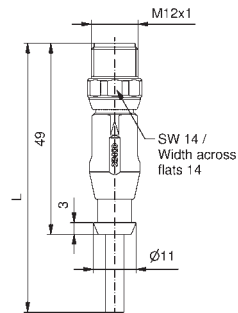
Contact assignment

Number of poles	Coding	Rated voltage [V]	Current rating [A]	Cable length = L [m]	Wire cross section [mm ²]	Description	Part No.
2+PE	C	250	4	0,34	2	SAL-12C-RS2PE-2 / A1	43-15261
					3	SAL-12C-RS2PE-3 / A1	43-15262
					5	SAL-12C-RS2PE-5 / A1	43-15263
					10	SAL-12C-RS2PE-10 / A1	43-15264



PE ■
Pin 2 ■
Pin 3 ■

TPU, UL, halogenfree, black, Li9Y11Y

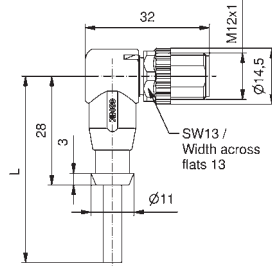
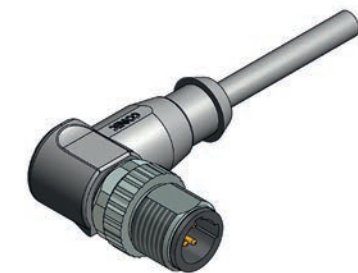


PE ■
Pin 2 ■
Pin 3 ■

2+PE	C	250	4	0,34	2	SAL-12C-RS2PE-2 / K1	43-15265
					3	SAL-12C-RS2PE-3 / K1	43-15266
					5	SAL-12C-RS2PE-5 / K1	43-15267
					10	SAL-12C-RS2PE-10 / K1	43-15268

Male connector angled

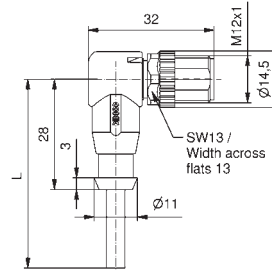
PVC, grey, LiYY



PE ■
Pin 2 ■
Pin 3 ■

2+PE	C	250	4	0,34	2	SAL-12C-RWS2PE-2 / A1 / A1090	43-15269
					3	SAL-12C-RWS2PE-3 / A1 / A1090	43-15270
					5	SAL-12C-RWS2PE-5 / A1 / A1090	43-15271
					10	SAL-12C-RWS2PE-10 / A1 / A1090	43-15272

TPU, UL, halogenfree, black, Li9Y11Y



PE ■
Pin 2 ■
Pin 3 ■

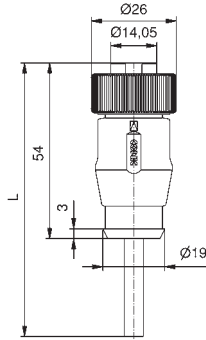
2+PE	C	250	4	0,34	2	SAL-12C-RWS2PE-2 / K1 / A1090	43-15273
					3	SAL-12C-RWS2PE-3 / K1 / A1090	43-15274
					5	SAL-12C-RWS2PE-5 / K1 / A1090	43-15275
					10	SAL-12C-RWS2PE-10 / K1 / A1090	43-15276

7/8" CONNECTORS OVERMOULDED
Wire cross section 0.75 mm²

Female connector axial

PVC, UL, grey, LiYY

Contact assignment



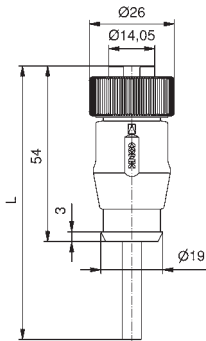
PE
Pin 2
Pin 3

Pin 1
Pin 2
Pin 3
Pin 4

Pin 1
Pin 2
Pin 3
Pin 4
Pin 5

Number of poles	Coding	Rated voltage [V]	Current rating [A]	Cable length = L [m]	Wire cross section [mm ²]	Description	Part No.
2+PE	A	300	8	0,75	2	SAL-7/8-RK2PE-2/A6	41-01000
					3	SAL-7/8-RK2PE-3/A6	41-01001
					5	SAL-7/8-RK2PE-5/A6	41-01002
					10	SAL-7/8-RK2PE-10/A6	41-01003
4	A	300	8	0,75	2	SAL-7/8-RK4-2/A3	41-01032
					3	SAL-7/8-RK4-3/A3	41-01033
					5	SAL-7/8-RK4-5/A3	41-01034
					10	SAL-7/8-RK4-10/A3	41-01035
4+PE	A	300	8	0,75	2	SAL-7/8-RK4PE-2/A3	41-01064
					3	SAL-7/8-RK4PE-3/A3	41-01065
					5	SAL-7/8-RK4PE-5/A3	41-01066
					10	SAL-7/8-RK4PE-10/A3	41-01067

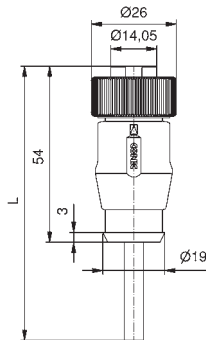
TPU, UL, halogenfree, highflexible, black, Li9Y11Y



PE
Pin 2
Pin 3

2+PE	A	300	8	0,75	2	SAL-7/8-RK2PE-2/K0	41-01004
					3	SAL-7/8-RK2PE-3/K0	41-01005
					5	SAL-7/8-RK2PE-5/K0	41-01006
					10	SAL-7/8-RK2PE-10/K0	41-01007

TPU, UL, halogenfree, black, Li9Y11Y



Pin 1
Pin 2
Pin 3
Pin 4

Pin 1
Pin 2
PE
Pin 4
Pin 5

4	A	300	8	0,75	2	SAL-7/8-RK4-2/K1	41-01036
					3	SAL-7/8-RK4-3/K1	41-01037
					5	SAL-7/8-RK4-5/K1	41-01038
					10	SAL-7/8-RK4-10/K1	41-01039
4+PE	A	300	8	0,75	2	SAL-7/8-RK4PE-2/K1	41-01068
					3	SAL-7/8-RK4PE-3/K1	41-01069
					5	SAL-7/8-RK4PE-5/K1	41-01070
					10	SAL-7/8-RK4PE-10/K1	41-01071

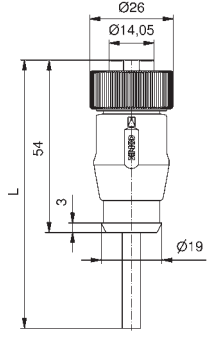
7/8" CONNECTORS OVERMOULDED
Wire cross section 1.5 mm²

Female connector axial

PVC, UL, grey, LiYY

Contact assignment

Number of poles	Coding	Rated voltage [V]	Current rating [A]	Cable length = L [m]	Wire cross section [mm ²]	Description	Part No.
2+PE	A	300	10	2	1,5	SAL-7/8-RK2PE-2/A6/150	41-01097
						SAL-7/8-RK2PE-3/A6/150	41-01098
						SAL-7/8-RK2PE-5/A6/150	41-01099
						SAL-7/8-RK2PE-10/A6/150	41-01100
4	A	300	10	2	1,5	SAL-7/8-RK4-2/A3/150	41-01129
						SAL-7/8-RK4-3/A3/150	41-01130
						SAL-7/8-RK4-5/A3/150	41-01131
						SAL-7/8-RK4-10/A3/150	41-01132
4+PE	A	300	10	2	1,5	SAL-7/8-RK4PE-2/A3/150	41-01161
						SAL-7/8-RK4PE-3/A3/150	41-01162
						SAL-7/8-RK4PE-5/A3/150	41-01163
						SAL-7/8-RK4PE-10/A3/150	41-01164

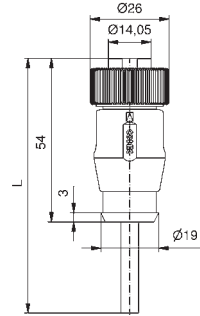


PE
Pin 2
Pin 3

Pin 1
Pin 2
Pin 3
Pin 4

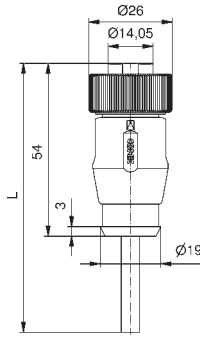
Pin 1
Pin 2
PE
Pin 4
Pin 5

TPU, UL, halogenfree, highflexible, black, Li9Y11Y



PE
Pin 2
Pin 3

TPU, UL, halogenfree, black, Li9Y11Y



Pin 1
Pin 2
Pin 3
Pin 4

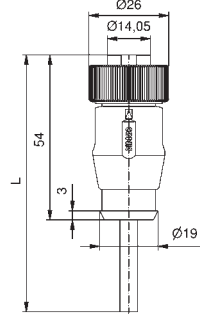
Pin 1
Pin 2
PE
Pin 4
Pin 5

7/8" CONNECTORS OVERMOULDED
Wire cross section 2.5 mm²




Female connector axial

PVC, UL, grey, LiYY

Contact assignment

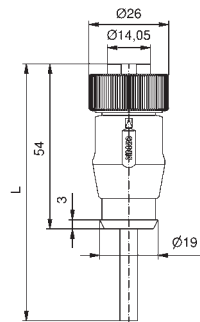


PE 
Pin 2 
Pin 3 

Pin 1 
Pin 2 
PE 
Pin 4 
Pin 5 

Number of poles	Coding	Rated voltage [V]	Current rating [A]	Cable length = L [m]	Wire cross section [mm ²]	Description	Part No.
2+PE	A	300	16	2	2,5	SAL-7/8-RK2PE-2/A6/250	41-01628
						SAL-7/8-RK2PE-3/A6/250	41-01629
						SAL-7/8-RK2PE-5/A6/250	41-01630
						SAL-7/8-RK2PE-10/A6/250	41-01631
4+PE	A	300	16	2	2,5	SAL-7/8-RK4PE-2/A6/250	41-01660
						SAL-7/8-RK4PE-3/A6/250	41-01661
						SAL-7/8-RK4PE-5/A6/250	41-01662
						SAL-7/8-RK4PE-10/A6/250	41-01663

TPU, UL, halogenfree, highflexible, black, Li9Y11Y



PE 
Pin 2 
Pin 3 

Pin 1 
Pin 2 
PE 
Pin 4 
Pin 5 

2+PE	A	300	16	2	2,5	SAL-7/8-RK2PE-2/KO/250	41-01632
						SAL-7/8-RK2PE-3/KO/250	41-01633
						SAL-7/8-RK2PE-5/KO/250	41-01634
						SAL-7/8-RK2PE-10/KO/250	41-01635
4+PE	A	300	16	2	2,5	SAL-7/8-RK4PE-2/KO/250	41-01664
						SAL-7/8-RK4PE-3/KO/250	41-01665
						SAL-7/8-RK4PE-5/KO/250	41-01666
						SAL-7/8-RK4PE-10/KO/250	41-01667

7/8" CONNECTORS OVERMOULDED

Wire cross section 0.75 mm²

Female connector angled

PVC, UL, grey, LiYY

Contact assignment	Number of poles	Coding	Rated voltage [V]	Current rating [A]	Cable length = L [m]	Wire cross section [mm ²]	Description	Part No.
<p>PE </p> <p>Pin 2 </p> <p>Pin 3 </p> <p>Pin 1 </p> <p>Pin 2 </p> <p>Pin 3 </p> <p>Pin 4 </p> <p>Pin 1 </p> <p>Pin 2 </p> <p>Pin 3 </p> <p>Pin 4 </p> <p>Pin 5 </p>	2+PE	A	300	8	0,75	SAL-7/8-RKW2PE-2/A6	41-01016	
						SAL-7/8-RKW2PE-3/A6	41-01017	
						SAL-7/8-RKW2PE-5/A6	41-01018	
						SAL-7/8-RKW2PE-10/A6	41-01019	
	4	A	300	8	0,75	SAL-7/8-RKW4-2/A3	41-01048	
						SAL-7/8-RKW4-3/A3	41-01049	
						SAL-7/8-RKW4-5/A3	41-01050	
						SAL-7/8-RKW4-10/A3	41-01051	
	4+PE	A	300	8	0,75	SAL-7/8-RKW4PE-2/A3	41-01080	
						SAL-7/8-RKW4PE-3/A3	41-01081	
SAL-7/8-RKW4PE-5/A3						41-01082		
SAL-7/8-RKW4PE-10/A3						41-01083		

TPU, UL, halogenfree, highflexible, black, Li9Y11Y

<p>PE </p> <p>Pin 2 </p> <p>Pin 3 </p>	2+PE	A	300	8	0,75	SAL-7/8-RKW2PE-2/K0	41-01020
						SAL-7/8-RKW2PE-3/K0	41-01021
						SAL-7/8-RKW2PE-5/K0	41-01022
						SAL-7/8-RKW2PE-10/K0	41-01023

TPU, UL, halogenfree, black, Li9Y11Y

<p>Pin 1 </p> <p>Pin 2 </p> <p>Pin 3 </p> <p>Pin 4 </p> <p>Pin 1 </p> <p>Pin 2 </p> <p>Pin 3 </p> <p>Pin 4 </p> <p>Pin 5 </p>	4	A	300	8	0,75	SAL-7/8-RKW4-2/K1	41-01052
						SAL-7/8-RKW4-3/K1	41-01053
						SAL-7/8-RKW4-5/K1	41-01054
						SAL-7/8-RKW4-10/K1	41-01055
4+PE	A	300	8	0,75	SAL-7/8-RKW4PE-2/K1	41-01084	
					SAL-7/8-RKW4PE-3/K1	41-01085	
					SAL-7/8-RKW4PE-5/K1	41-01086	
					SAL-7/8-RKW4PE-10/K1	41-01087	

7/8" CONNECTORS OVERMOULDED

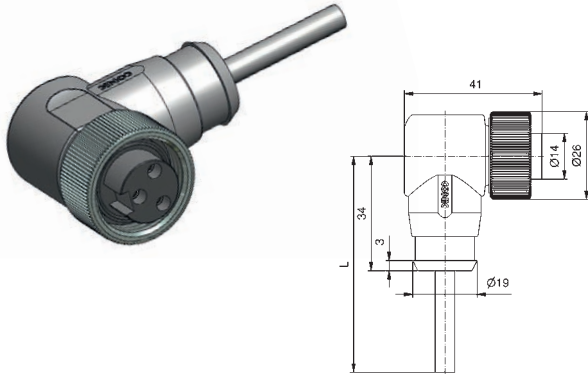
Wire cross section 1.5 mm²

Female connector angled

PVC, UL, grey, LiYY

Contact assignment

Number of poles	Coding	Rated voltage [V]	Current rating [A]	Cable length = L [m]	Wire cross section [mm ²]	Description	Part No.
2+PE	A	300	10	2	1,5	SAL-7/8-RKW2PE-2/A6/150	41-01113
						SAL-7/8-RKW2PE-3/A6/150	41-01114
						SAL-7/8-RKW2PE-5/A6/150	41-01115
						SAL-7/8-RKW2PE-10/A6/150	41-01116
4	A	300	10	2	1,5	SAL-7/8-RKW4-2/A3/150	41-01145
						SAL-7/8-RKW4-3/A3/150	41-01146
						SAL-7/8-RKW4-5/A3/150	41-01147
						SAL-7/8-RKW4-10/A3/150	41-01148
4+PE	A	300	10	2	1,5	SAL-7/8-RKW4PE-2/A3/150	41-01177
						SAL-7/8-RKW4PE-3/A3/150	41-01178
						SAL-7/8-RKW4PE-5/A3/150	41-01179
						SAL-7/8-RKW4PE-10/A3/150	41-01180

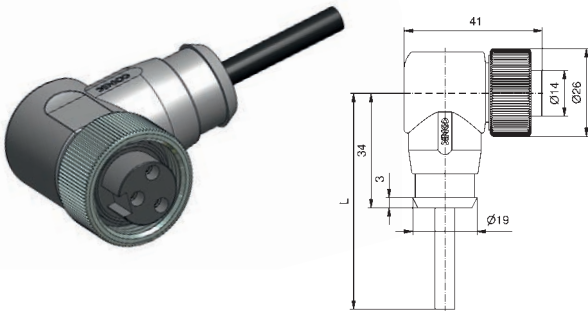


PE
 Pin 2
 Pin 3

Pin 1
 Pin 2
 Pin 3
 Pin 4

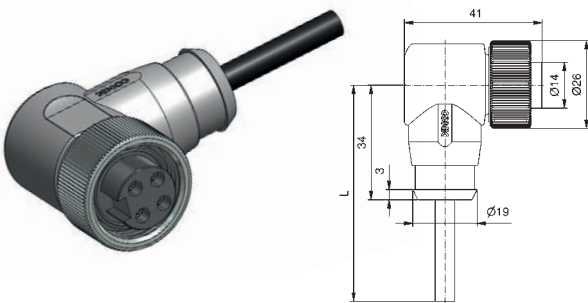
Pin 1
 Pin 2
 PE
 Pin 4
 Pin 5

TPU, UL, halogenfree, highflexible, black, Li9Y11Y



PE
 Pin 2
 Pin 3

TPU, UL, halogenfree, black, Li9Y11Y



Pin 1
 Pin 2
 Pin 3
 Pin 4

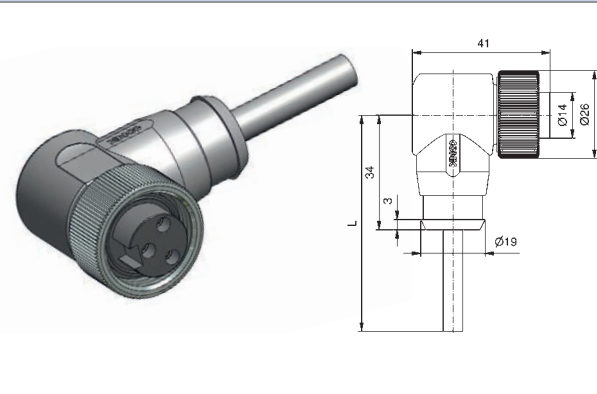
Pin 1
 Pin 2
 PE
 Pin 4
 Pin 5

7/8" CONNECTORS OVERMOULDED
Wire cross section 2.5 mm²

Female connector angled

PVC, UL, grey, LiYY

Contact assignment

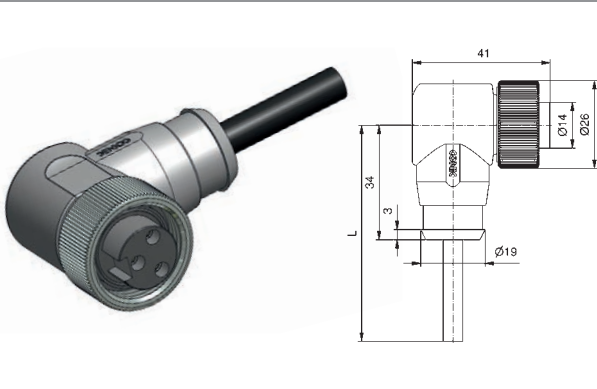


- PE ■ ■
- Pin 2 ■
- Pin 3 ■

- Pin 1 ■
- Pin 2 ■
- PE ■ ■
- Pin 4 ■
- Pin 5 ■

Number of poles	Coding	Rated voltage [V]	Current rating [A]	Cable length = L [m]	Wire cross section [mm ²]	Description	Part No.
2+PE	A	300	16	2,5	2	SAL-7/8-RKW2PE-2/A6/250	41-01644
					3	SAL-7/8-RKW2PE-3/A6/250	41-01645
					5	SAL-7/8-RKW2PE-5/A6/250	41-01646
					10	SAL-7/8-RKW2PE-10/A6/250	41-01647
4+PE	A	300	16	2,5	2	SAL-7/8-RKW4PE-2/A6/250	41-01676
					3	SAL-7/8-RKW4PE-3/A6/250	41-01677
					5	SAL-7/8-RKW4PE-5/A6/250	41-01678
					10	SAL-7/8-RKW4PE-10/A6/250	41-01679

TPU, UL, halogenfree, highflexible, black, Li9Y11Y



- PE ■ ■
- Pin 2 ■
- Pin 3 ■

- Pin 1 ■
- Pin 2 ■
- PE ■ ■
- Pin 4 ■
- Pin 5 ■

2+PE	A	300	16	2,5	2	SAL-7/8-RKW2PE-2/K0/250	41-01648
					3	SAL-7/8-RKW2PE-3/K0/250	41-01649
					5	SAL-7/8-RKW2PE-5/K0/250	41-01650
					10	SAL-7/8-RKW2PE-10/K0/250	41-01651
4+PE	A	300	16	2,5	2	SAL-7/8-RKW4PE-2/K0/250	41-01680
					3	SAL-7/8-RKW4PE-3/K0/250	41-01681
					5	SAL-7/8-RKW4PE-5/K0/250	41-01682
					10	SAL-7/8-RKW4PE-10/K0/250	41-01683

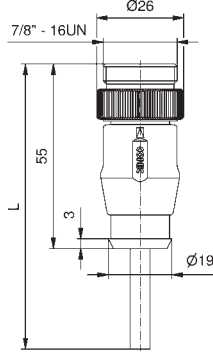
7/8" CONNECTORS OVERMOULDED
Wire cross section 0.75 mm²

Male connector axial

PVC, UL, grey, LiYY

Contact assignment

Number of poles	Coding	Rated voltage [V]	Current rating [A]	Cable length = L [m]	Wire cross section [mm ²]	Description	Part No.
2+PE	A	300	8	0,75	2	SAL-7/8-RS2PE-2/A6	41-01008
					3	SAL-7/8-RS2PE-3/A6	41-01009
					5	SAL-7/8-RS2PE-5/A6	41-01010
					10	SAL-7/8-RS2PE-10/A6	41-01011
4	A	300	8	0,75	2	SAL-7/8-RS4-2/A3	41-01040
					3	SAL-7/8-RS4-3/A3	41-01041
					5	SAL-7/8-RS4-5/A3	41-01042
					10	SAL-7/8-RS4-10/A3	41-01043
4+PE	A	300	8	0,75	2	SAL-7/8-RS4PE-2/A3	41-01072
					3	SAL-7/8-RS4PE-3/A3	41-01073
					5	SAL-7/8-RS4PE-5/A3	41-01074
					10	SAL-7/8-RS4PE-10/A3	41-01075

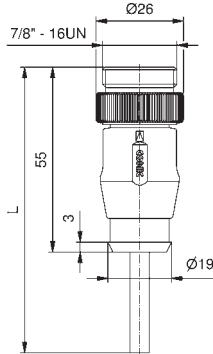


- PE ■
- Pin 2 ■
- Pin 3 ■

- Pin 1 ■
- Pin 2 ■
- Pin 3 ■
- Pin 4 ■

- Pin 1 ■
- Pin 2 ■
- PE ■
- Pin 4 ■
- Pin 5 ■

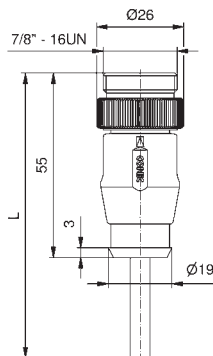
TPU, UL, halogenfree, highflexible, black, Li9Y11Y



- PE ■
- Pin 2 ■
- Pin 3 ■

2+PE	A	300	8	0,75	2	SAL-7/8-RS2PE-2/K0	41-01012
					3	SAL-7/8-RS2PE-3/K0	41-01013
					5	SAL-7/8-RS2PE-5/K0	41-01014
					10	SAL-7/8-RS2PE-10/K0	41-01015

TPU, UL, halogenfree, black, Li9Y11Y



- Pin 1 ■
- Pin 2 ■
- Pin 3 ■
- Pin 4 ■

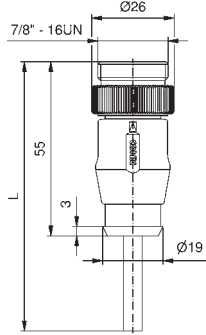
- Pin 1 ■
- Pin 2 ■
- PE ■
- Pin 4 ■
- Pin 5 ■

4	A	300	8	0,75	2	SAL-7/8-RS4-2/K1	41-01044
					3	SAL-7/8-RS4-3/K1	41-01045
					5	SAL-7/8-RS4-5/K1	41-01046
					10	SAL-7/8-RS4-10/K1	41-01047
4+PE	A	300	8	0,75	2	SAL-7/8-RS4PE-2/K1	41-01076
					3	SAL-7/8-RS4PE-3/K1	41-01077
					5	SAL-7/8-RS4PE-5/K1	41-01078
					10	SAL-7/8-RS4PE-10/K1	41-01079

7/8" CONNECTORS OVERMOULDED
Wire cross section 1.5 mm²

Male connector axial

PVC, UL, grey, LiYY



PE ■
Pin 2 ■
Pin 3 ■

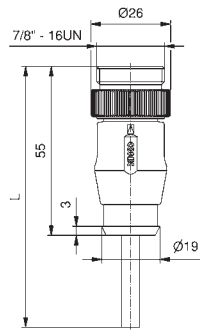
Pin 1 ■
Pin 2 ■
Pin 3 ■
Pin 4 ■

Pin 1 ■
Pin 2 ■
Pin 3 ■
Pin 4 ■
Pin 5 ■

Contact assignment

Number of poles	Coding	Rated voltage [V]	Current rating [A]	Cable length = L [m]	Wire cross section [mm ²]	Description	Part No.
2+PE	A	300	10	2	1,5	SAL-7/8-RS2PE-2/A6/150	41-01105
						SAL-7/8-RS2PE-3/A6/150	41-01106
						SAL-7/8-RS2PE-5/A6/150	41-01107
						SAL-7/8-RS2PE-10/A6/150	41-01108
4	A	300	10	2	1,5	SAL-7/8-RS4-2/A3/150	41-01137
						SAL-7/8-RS4-3/A3/150	41-01138
						SAL-7/8-RS4-5/A3/150	41-01139
						SAL-7/8-RS4-10/A3/150	41-01140
4+PE	A	300	10	2	1,5	SAL-7/8-RS4PE-2/A3/150	41-01169
						SAL-7/8-RS4PE-3/A3/150	41-01170
						SAL-7/8-RS4PE-5/A3/150	41-01171
						SAL-7/8-RS4PE-10/A3/150	41-01172

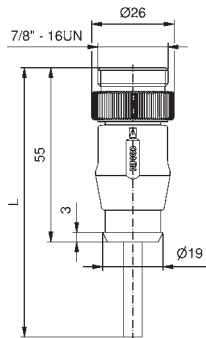
TPU, UL, halogenfree, highflexible, black, Li9Y11Y



PE ■
Pin 2 ■
Pin 3 ■

2+PE	A	300	10	2	1,5	SAL-7/8-RS2PE-2/K0/150	41-01109
						SAL-7/8-RS2PE-3/K0/150	41-01110
						SAL-7/8-RS2PE-5/K0/150	41-01111
						SAL-7/8-RS2PE-10/K0/150	41-01112

TPU, UL, halogenfree, black, Li9Y11Y



Pin 1 ■
Pin 2 ■
Pin 3 ■
Pin 4 ■

Pin 1 ■
Pin 2 ■
PE ■
Pin 4 ■
Pin 5 ■

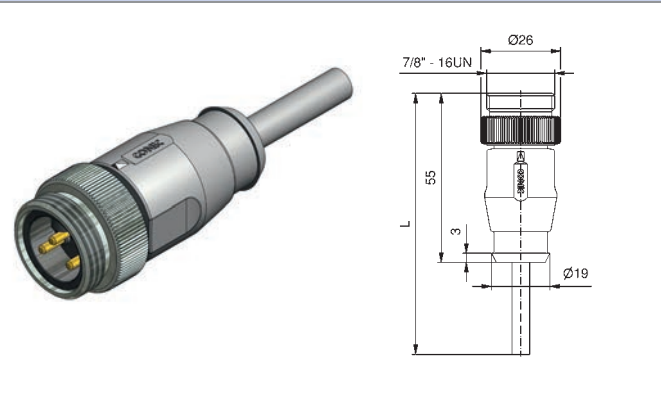
4	A	300	10	2	1,5	SAL-7/8-RS4-2/K1/150	41-01141
						SAL-7/8-RS4-3/K1/150	41-01142
						SAL-7/8-RS4-5/K1/150	41-01143
						SAL-7/8-RS4-10/K1/150	41-01144
4+PE	A	300	10	2	1,5	SAL-7/8-RS4PE-2/K1/150	41-01173
						SAL-7/8-RS4PE-3/K1/150	41-01174
						SAL-7/8-RS4PE-5/K1/150	41-01175
						SAL-7/8-RS4PE-10/K1/150	41-01176

7/8" CONNECTORS OVERMOULDED
Wire cross section 2.5 mm²

Male connector axial

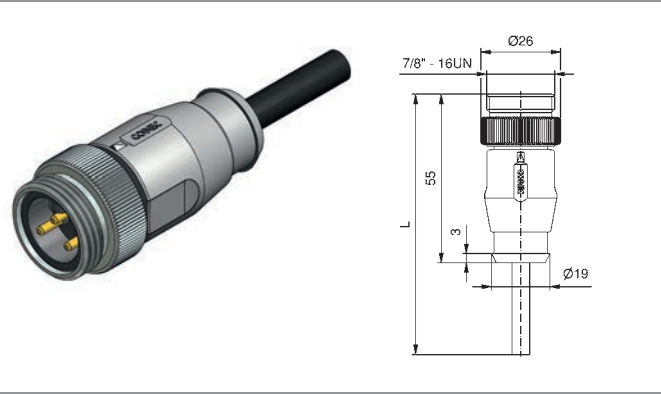
PVC, UL, grey, LiYY

Contact assignment



Number of poles	Coding	Rated voltage [V]	Current rating [A]	Cable length = L [m]	Wire cross section [mm ²]	Description	Part No.
2+PE	A	300	16	2	2,5	SAL-7/8-RS2PE-2/A6/250	41-01636
						SAL-7/8-RS2PE-3/A6/250	41-01637
						SAL-7/8-RS2PE-5/A6/250	41-01638
						SAL-7/8-RS2PE-10/A6/250	41-01639
4+PE	A	300	16	2	2,5	SAL-7/8-RS4PE-2/A6/250	41-01668
						SAL-7/8-RS4PE-3/A6/250	41-01669
						SAL-7/8-RS4PE-5/A6/250	41-01670
						SAL-7/8-RS4PE-10/A6/250	41-01671

TPU, UL, halogenfree, highflexible, black, Li9Y11Y



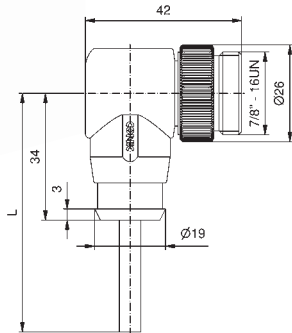
2+PE	A	300	16	2	2,5	SAL-7/8-RS2PE-2/K0/250	41-01640
						SAL-7/8-RS2PE-3/K0/250	41-01641
						SAL-7/8-RS2PE-5/K0/250	41-01642
						SAL-7/8-RS2PE-10/K0/250	41-01643
4+PE	A	300	16	2	2,5	SAL-7/8-RS4PE-2/K0/250	41-01672
						SAL-7/8-RS4PE-3/K0/250	41-01673
						SAL-7/8-RS4PE-5/K0/250	41-01674
						SAL-7/8-RS4PE-10/K0/250	41-01675

7/8" CONNECTORS OVERMOULDED

Wire cross section 0.75 mm²

Male connector angled


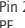
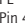


PVC, UL, grey, LiYY



Contact assignment

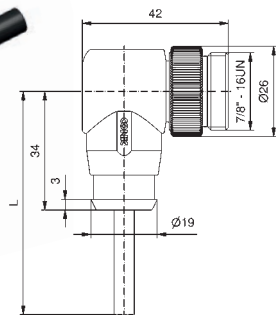
PE 
Pin 2 
Pin 3 

Pin 1 
Pin 2 
Pin 3 
Pin 4 

Pin 1 
Pin 2 
PE 
Pin 4 
Pin 5 

Number of poles	Coding	Rated voltage [V]	Current rating [A]	Cable length = L [m]	Wire cross section [mm ²]	Description	Part No.
2+PE	A	300	8	0,75	2	SAL-7/8-RSW2PE-2/A6	41-01024
					3	SAL-7/8-RSW2PE-3/A6	41-01025
					5	SAL-7/8-RSW2PE-5/A6	41-01026
					10	SAL-7/8-RSW2PE-10/A6	41-01027
4	A	300	8	0,75	2	SAL-7/8-RSW4-2/A3	41-01056
					3	SAL-7/8-RSW4-3/A3	41-01057
					5	SAL-7/8-RSW4-5/A3	41-01058
					10	SAL-7/8-RSW4-10/A3	41-01059
4+PE	A	300	8	0,75	2	SAL-7/8-RSW4PE-2/A3	41-01088
					3	SAL-7/8-RSW4PE-3/A3	41-01089
					5	SAL-7/8-RSW4PE-5/A3	41-01090
					10	SAL-7/8-RSW4PE-10/A3	41-01091

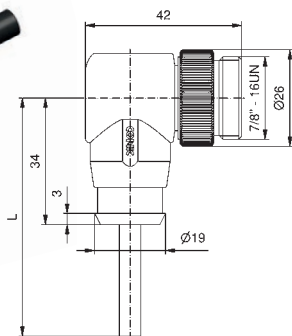
TPU, UL, halogenfree, highflexible, black, Li9Y11Y




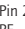
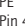


PE 
Pin 2 
Pin 3 

2+PE	A	300	8	0,75	2	SAL-7/8-RSW2PE-2/K0	41-01028
					3	SAL-7/8-RSW2PE-3/K0	41-01029
					5	SAL-7/8-RSW2PE-5/K0	41-01030
					10	SAL-7/8-RSW2PE-10/K0	41-01031

TPU, UL, halogenfree, black, Li9Y11Y



Pin 1 
Pin 2 
Pin 3 
Pin 4 

Pin 1 
Pin 2 
PE 
Pin 4 
Pin 5 

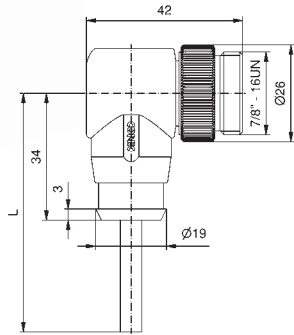
4	A	300	8	0,75	2	SAL-7/8-RSW4-2/K1	41-01060
					3	SAL-7/8-RSW4-3/K1	41-01061
					5	SAL-7/8-RSW4-5/K1	41-01062
					10	SAL-7/8-RSW4-10/K1	41-01063
4+PE	A	300	8	0,75	2	SAL-7/8-RSW4PE-2/K1	41-01092
					3	SAL-7/8-RSW4PE-3/K1	41-01093
					5	SAL-7/8-RSW4PE-5/K1	41-01094
					10	SAL-7/8-RSW4PE-10/K1	41-01095

7/8" CONNECTORS OVERMOULDED

Wire cross section 1.5 mm²

Male connector angled






PVC, UL, grey, LiYY



Contact assignment

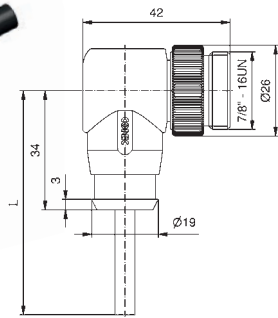
PE 
Pin 2 
Pin 3 

Pin 1 
Pin 2 
Pin 3 
Pin 4 

Pin 1 
Pin 2 
PE 
Pin 4 
Pin 5 

Number of poles	Coding	Rated voltage [V]	Current rating [A]	Cable length = L [m]	Wire cross section [mm ²]	Description	Part No.
2+PE	A	300	10	2	1,5	SAL-7/8-RSW2PE-2/A6/150	41-01121
						SAL-7/8-RSW2PE-3/A6/150	41-01122
						SAL-7/8-RSW2PE-5/A6/150	41-01123
						SAL-7/8-RSW2PE-10/A6/150	41-01124
4	A	300	10	2	1,5	SAL-7/8-RSW4-2/A3/150	41-01153
						SAL-7/8-RSW4-3/A3/150	41-01154
						SAL-7/8-RSW4-5/A3/150	41-01155
						SAL-7/8-RSW4-10/A3/150	41-01156
4+PE	A	300	10	2	1,5	SAL-7/8-RSW4PE-2/A3/150	41-01185
						SAL-7/8-RSW4PE-3/A3/150	41-01186
						SAL-7/8-RSW4PE-5/A3/150	41-01187
						SAL-7/8-RSW4PE-10/A3/150	41-01188

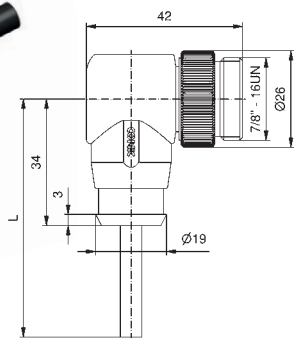
TPU, UL, halogenfree, highflexible, black, Li9Y11Y








PE 
Pin 2 
Pin 3 

2+PE	A	300	10	2	1,5	SAL-7/8-RSW2PE-2/K0/150	41-01125
						SAL-7/8-RSW2PE-3/K0/150	41-01126
						SAL-7/8-RSW2PE-5/K0/150	41-01127
						SAL-7/8-RSW2PE-10/K0/150	41-01128

TPU, UL, halogenfree, black, Li9Y11Y



Pin 1 
Pin 2 
Pin 3 
Pin 4 

Pin 1 
Pin 2 
PE 
Pin 4 
Pin 5 

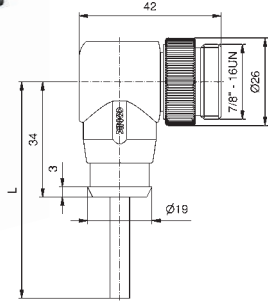
4	A	300	10	2	1,5	SAL-7/8-RSW4-2/K1/150	41-01157
						SAL-7/8-RSW4-3/K1/150	41-01158
						SAL-7/8-RSW4-5/K1/150	41-01159
						SAL-7/8-RSW4-10/K1/150	41-01160
4+PE	A	300	10	2	1,5	SAL-7/8-RSW4PE-2/K1/150	41-01189
						SAL-7/8-RSW4PE-3/K1/150	41-01190
						SAL-7/8-RSW4PE-5/K1/150	41-01191
						SAL-7/8-RSW4PE-10/K1/150	41-01192

7/8" CONNECTORS OVERMOULDED
Wire cross section 2.5 mm²

Male connector angled

PVC, UL, grey, LiYY

Contact assignment

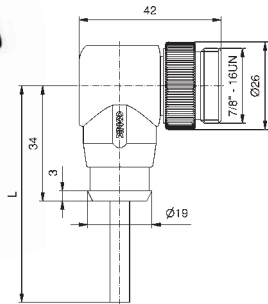


PE
Pin 2
Pin 3

Pin 1
Pin 2
PE
Pin 4
Pin 5

Number of poles	Coding	Rated voltage [V]	Current rating [A]	Cable length = L [m]	Wire cross section [mm ²]	Description	Part No.
2+PE	A	300	16	2	2,5	SAL-7/8-RSW2PE-2/A6/250	41-01652
						SAL-7/8-RSW2PE-3/A6/250	41-01653
						SAL-7/8-RSW2PE-5/A6/250	41-01654
						SAL-7/8-RSW2PE-10/A6/250	41-01655
4+PE	A	300	16	2	2,5	SAL-7/8-RSW4PE-2/A6/250	41-01684
						SAL-7/8-RSW4PE-3/A6/250	41-01685
						SAL-7/8-RSW4PE-5/A6/250	41-01686
						SAL-7/8-RSW4PE-10/A6/250	41-01687

TPU, UL, halogenfree, highflexible, black, Li9Y11Y



PE
Pin 2
Pin 3


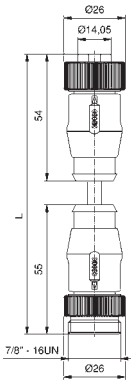




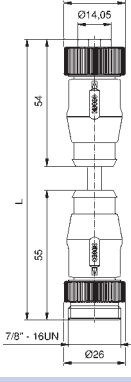
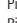




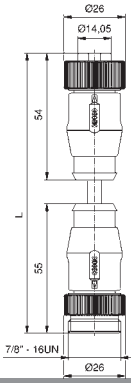




Pin 1
Pin 2
PE
Pin 4
Pin 5

2+PE	A	300	16	2	2,5	SAL-7/8-RSW2PE-2/K0/250	41-01656
						SAL-7/8-RSW2PE-3/K0/250	41-01657
						SAL-7/8-RSW2PE-5/K0/250	41-01658
						SAL-7/8-RSW2PE-10/K0/250	41-01659
4+PE	A	300	16	2	2,5	SAL-7/8-RSW4PE-2/K0/250	41-01688
						SAL-7/8-RSW4PE-3/K0/250	41-01689
						SAL-7/8-RSW4PE-5/K0/250	41-01690
						SAL-7/8-RSW4PE-10/K0/250	41-01691


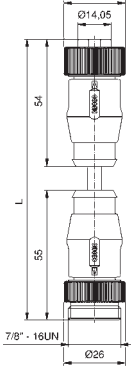
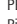


7/8" CONNECTORS OVERMOULDED
Connecting cable, wire cross section 0.75 mm²

Female connector axial
Male connector axial


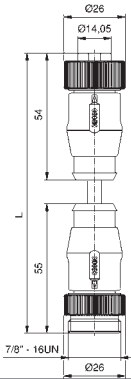








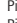


PVC, UL, grey, LiYY

Contact assignment		Number of poles	Coding	Rated voltage [V]	Current rating [A]	Cable length = L [m]	Wire cross section [mm ²]	Description	Part No.
 	PE  Pin 2  Pin 3 	2+PE	A	300	8	0,75	0,6	SAL-7 / 8-RK2PE-RS2PE-0,6 / A6	41-01193
							1	SAL-7 / 8-RK2PE-RS2PE-1 / A6	41-01194
							1,5	SAL-7 / 8-RK2PE-RS2PE-1,5 / A6	41-01195
							2	SAL-7 / 8-RK2PE-RS2PE-2 / A6	41-01196
 	Pin 1  Pin 2  Pin 3  Pin 4 	4	A	300	8	0,75	0,6	SAL-7 / 8-RK4-RS4-0,6 / A3	41-01209
							1	SAL-7 / 8-RK4-RS4-1 / A3	41-01210
							1,5	SAL-7 / 8-RK4-RS4-1,5 / A3	41-01211
							2	SAL-7 / 8-RK4-RS4-2 / A3	41-01212
 	Pin 1  Pin 2  Pin 4  Pin 5 	4+PE	A	300	8	0,75	0,6	SAL-7 / 8-RK4PE-RS4PE-0,6 / A3	41-01225
							1	SAL-7 / 8-RK4PE-RS4PE-1 / A3	41-01226
							1,5	SAL-7 / 8-RK4PE-RS4PE-1,5 / A3	41-01227
							2	SAL-7 / 8-RK4PE-RS4PE-2 / A3	41-01228

TPU, UL, halogenfree, highflexible, black, Li9Y11Y

 	PE  Pin 2  Pin 3 	2+PE	A	300	8	0,75	0,6	SAL-7 / 8-RK2PE-RS2PE-0,6 / K0	41-01197	
								1	SAL-7 / 8-RK2PE-RS2PE-1 / K0	41-01198
								1,5	SAL-7 / 8-RK2PE-RS2PE-1,5 / K0	41-01199
								2	SAL-7 / 8-RK2PE-RS2PE-2 / K0	41-01200

TPU, UL, halogenfree, black, Li9Y11Y

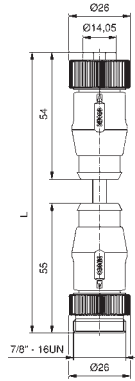
 	Pin 1  Pin 2  Pin 3  Pin 4 	4	A	300	8	0,75	0,6	SAL-7 / 8-RK4-RS4-0,6 / K1	41-01213	
								1	SAL-7 / 8-RK4-RS4-1 / K1	41-01214
								1,5	SAL-7 / 8-RK4-RS4-1,5 / K1	41-01215
								2	SAL-7 / 8-RK4-RS4-2 / K1	41-01216
 	Pin 1  Pin 2  PE  Pin 4  Pin 5 	4+PE	A	300	8	0,75	0,6	SAL-7 / 8-RK4PE-RS4PE-0,6 / K1	41-01229	
								1	SAL-7 / 8-RK4PE-RS4PE-1 / K1	41-01230
								1,5	SAL-7 / 8-RK4PE-RS4PE-1,5 / K1	41-01231
								2	SAL-7 / 8-RK4PE-RS4PE-2 / K1	41-01232

7/8" CONNECTORS OVERMOULDED

Connecting cable, wire cross section 1.5 mm²

Female connector axial
Male connector axial

PVC, UL, grey, LiYY



Contact assignment

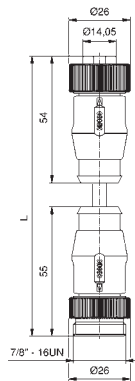
PE
Pin 2
Pin 3

Pin 1
Pin 2
Pin 3
Pin 4

Pin 1
Pin 2
PE
Pin 4
Pin 5

Number of poles	Coding	Rated voltage [V]	Current rating [A]	Cable length = L [m]	Wire cross section [mm ²]	Description	Part No.
2+PE	A	300	10	0,6	1,5	SAL-78-RK2PE-RS2PE-0,6/A6/150	41-01241
						SAL-78-RK2PE-RS2PE-1/A6/150	41-01242
						SAL-78-RK2PE-RS2PE-1,5/A6/150	41-01243
						SAL-78-RK2PE-RS2PE-2/A6/150	41-01244
4	A	300	10	0,6	1,5	SAL-78-RK4-RS4-0,6/A3/150	41-01257
						SAL-78-RK4-RS4-1/A3/150	41-01258
						SAL-78-RK4-RS4-1,5/A3/150	41-01259
						SAL-78-RK4-RS4-2/A3/150	41-01260
4+PE	A	300	10	0,6	1,5	SAL-78-RK4PE-RS4PE-0,6/A3/150	41-01273
						SAL-78-RK4PE-RS4PE-1/A3/150	41-01274
						SAL-78-RK4PE-RS4PE-1,5/A3/150	41-01275
						SAL-78-RK4PE-RS4PE-2/A3/150	41-01276

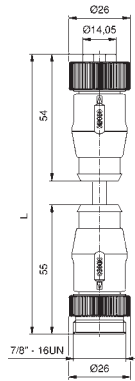
TPU, UL, halogenfree, highflexible, black, LiY11Y



PE
Pin 2
Pin 3

2+PE	A	300	10	0,6	1,5	SAL-78-RK2PE-RS2PE-0,6/K0/150	41-01245
						SAL-78-RK2PE-RS2PE-1/K0/150	41-01246
						SAL-78-RK2PE-RS2PE-1,5/K0/150	41-01247
						SAL-78-RK2PE-RS2PE-2/K0/150	41-01248

TPU, UL, halogenfree, black, LiY11Y



Pin 1
Pin 2
Pin 3
Pin 4

Pin 1
Pin 2
PE
Pin 4
Pin 5

4	A	300	10	0,6	1,5	SAL-78-RK4-RS4-0,6/K1/150	41-01261
						SAL-78-RK4-RS4-1/K1/150	41-01262
						SAL-78-RK4-RS4-1,5/K1/150	41-01263
						SAL-78-RK4-RS4-2/K1/150	41-01264
4+PE	A	300	10	0,6	1,5	SAL-78-RK4PE-RS4PE-0,6/K1/150	41-01277
						SAL-78-RK4PE-RS4PE-1/K1/150	41-01278
						SAL-78-RK4PE-RS4PE-1,5/K1/150	41-01279
						SAL-78-RK4PE-RS4PE-2/K1/150	41-01280

7/8" CONNECTORS OVERMOULDED
Connecting cable, wire cross section 2.5 mm²

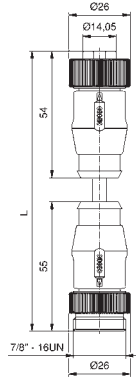
Female connector axial
Male connector axial

PVC, UL, grey, LiYY

Contact assignment

Number of poles	Coding	Rated voltage [V]	Current rating [A]	Cable length = L [m]	Wire cross section [mm ²]
2+PE	A	300	16	0,6	2,5
				1	
				1,5	
				2	
4+PE	A	300	16	0,6	2,5
				1	
				1,5	
				2	

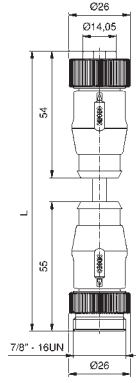
Description	Part No.
SAL-78-RK2PE-RS2PE-0,6/A6/250	41-01692
SAL-78-RK2PE-RS2PE-1/A6/250	41-01693
SAL-78-RK2PE-RS2PE-1,5/A6/250	41-01694
SAL-78-RK2PE-RS2PE-2/A6/250	41-01695
SAL-78-RK4PE-RS4PE-0,6/A6/250	41-01708
SAL-78-RK4PE-RS4PE-1/A6/250	41-01709
SAL-78-RK4PE-RS4PE-1,5/A6/250	41-01710
SAL-78-RK4PE-RS4PE-2/A6/250	41-01711



PE
Pin 2
Pin 3

Pin 1
Pin 2
PE
Pin 4
Pin 5

TPU, UL, halogenfree, highflexible, black, Li9Y11Y



PE
Pin 2
Pin 3

Pin 1
Pin 2
PE
Pin 4
Pin 5

2+PE	A	300	16	0,6	2,5
				1	
				1,5	
				2	
4+PE	A	300	16	0,6	2,5
				1	
				1,5	
				2	

SAL-78-RK2PE-RS2PE-0,6/K0/250	41-01696
SAL-78-RK2PE-RS2PE-1/K0/250	41-01697
SAL-78-RK2PE-RS2PE-1,5/K0/250	41-01698
SAL-78-RK2PE-RS2PE-2/K0/250	41-01699
SAL-78-RK4PE-RS4PE-0,6/K0/250	41-01712
SAL-78-RK4PE-RS4PE-1/K0/250	41-01713
SAL-78-RK4PE-RS4PE-1,5/K0/250	41-01714
SAL-78-RK4PE-RS4PE-2/K0/250	41-01715

7/8" CONNECTORS OVERMOULDED

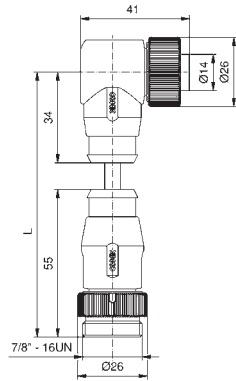
Connecting cable, wire cross section 0.75 mm²

Female connector angled
Male connector axial

PVC, UL, grey, LiYY


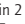

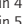

Contact assignment

Number of poles	Coding	Rated voltage [V]	Current rating [A]	Cable length = L [m]	Wire cross section [mm ²]	Description	Part No.
2+PE	A	300	8	0,6	0,75	SAL-78-RKW2PE-RS2PE-0,6 / A6	41-01201
						SAL-78-RKW2PE-RS2PE-1 / A6	41-01202
						SAL-78-RKW2PE-RS2PE-1,5 / A6	41-01203
						SAL-78-RKW2PE-RS2PE-2 / A6	41-01204
4	A	300	8	0,6	0,75	SAL-78-RKW4-RS4-0,6 / A3	41-01217
						SAL-78-RKW4-RS4-1 / A3	41-01218
						SAL-78-RKW4-RS4-1,5 / A3	41-01219
						SAL-78-RKW4-RS4-2 / A3	41-01220
4+PE	A	300	8	0,6	0,75	SAL-78-RKW4PE-RS4PE-0,6 / A3	41-01233
						SAL-78-RKW4PE-RS4PE-1 / A3	41-01234
						SAL-78-RKW4PE-RS4PE-1,5 / A3	41-01235
						SAL-78-RKW4PE-RS4PE-2 / A3	41-01236

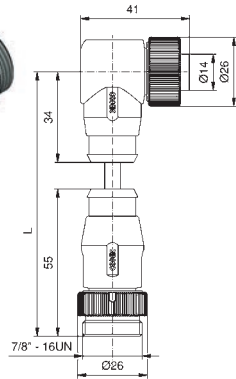


PE 
Pin 2 
Pin 3 

Pin 1 
Pin 2 
Pin 3 
Pin 4 

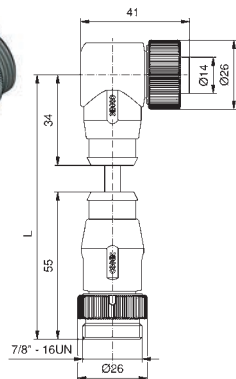
Pin 1 
Pin 2 
PE 
Pin 4 
Pin 5 

TPU, UL, halogenfree, highflexible, black, LiY11Y



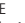
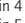



PE 
Pin 2 
Pin 3 

TPU, UL, halogenfree, black, LiY11Y



Pin 1 
Pin 2 
Pin 3 
Pin 4 

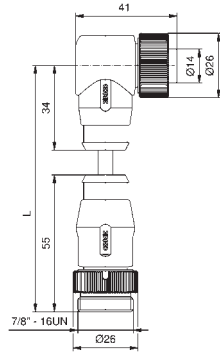
Pin 1 
Pin 2 
PE 
Pin 4 
Pin 5 

7/8" CONNECTORS OVERMOULDED

Connecting cable, wire cross section 1.5 mm²

Female connector angled
Male connector axial






PVC, UL, grey, LiYY



Contact assignment

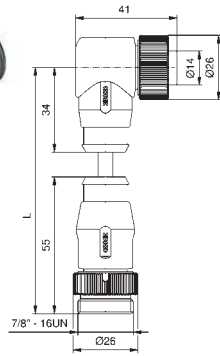
PE 
Pin 2 
Pin 3 

Pin 1 
Pin 2 
Pin 3 
Pin 4 

Pin 1 
Pin 2 
Pin 3 
Pin 4 
Pin 5 

Number of poles	Coding	Rated voltage [V]	Current rating [A]	Cable length = L [m]	Wire cross section [mm ²]	Description	Part No.
2+PE	A	300	10	0,6	1,5	SAL-7/8-RKW2PE-RS2PE-0,6/A6/150	41-01249
						SAL-7/8-RKW2PE-RS2PE-1/A6/150	41-01250
						SAL-7/8-RKW2PE-RS2PE-1,5/A6/150	41-01251
						SAL-7/8-RKW2PE-RS2PE-2/A6/150	41-01252
4	A	300	10	0,6	1,5	SAL-7/8-RKW4-RS4-0,6/A3/150	41-01265
						SAL-7/8-RKW4-RS4-1/A3/150	41-01266
						SAL-7/8-RKW4-RS4-1,5/A3/150	41-01267
						SAL-7/8-RKW4-RS4-2/A3/150	41-01268
4+PE	A	300	10	0,6	1,5	SAL-7/8-RKW4PE-RS4PE-0,6/A3/150	41-01281
						SAL-7/8-RKW4PE-RS4PE-1/A3/150	41-01282
						SAL-7/8-RKW4PE-RS4PE-1,5/A3/150	41-01283
						SAL-7/8-RKW4PE-RS4PE-2/A3/150	41-01284

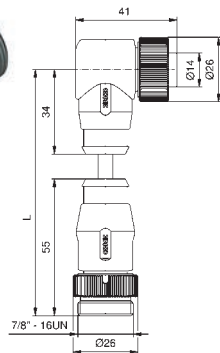
TPU, UL, halogenfree, highflexible, black, Li9Y11Y








PE 
Pin 2 
Pin 3 

2+PE	A	300	10	0,6	1,5	SAL-7/8-RKW2PE-RS2PE-0,6/K0/150	41-01253
						SAL-7/8-RKW2PE-RS2PE-1/K0/150	41-01254
						SAL-7/8-RKW2PE-RS2PE-1,5/K0/150	41-01255
						SAL-7/8-RKW2PE-RS2PE-2/K0/150	41-01256

TPU, UL, halogenfree, black, Li9Y11Y



Pin 1 
Pin 2 
Pin 3 
Pin 4 

Pin 1 
Pin 2 
PE 
Pin 4 
Pin 5 

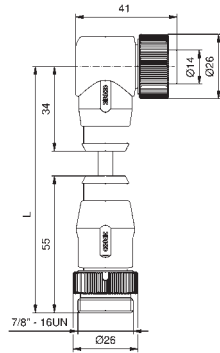
4	A	300	10	0,6	1,5	SAL-7/8-RKW4-RS4-0,6/K1/150	41-01269
						SAL-7/8-RKW4-RS4-1/K1/150	41-01270
						SAL-7/8-RKW4-RS4-1,5/K1/150	41-01271
						SAL-7/8-RKW4-RS4-2/K1/150	41-01272
4+PE	A	300	10	0,6	1,5	SAL-7/8-RKW4PE-RS4PE-0,6/K1/150	41-01285
						SAL-7/8-RKW4PE-RS4PE-1/K1/150	41-01286
						SAL-7/8-RKW4PE-RS4PE-1,5/K1/150	41-01287
						SAL-7/8-RKW4PE-RS4PE-2/K1/150	41-01288

7/8" CONNECTORS OVERMOULDED
Connecting cable, wire cross section 2.5 mm²

Female connector angled
Male connector axial

PVC, UL, grey, LiYY

Contact assignment

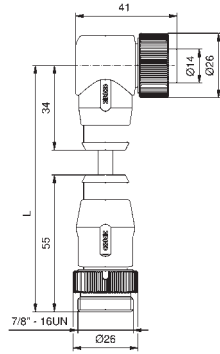


PE
Pin 2
Pin 3

Pin 1
Pin 2
PE
Pin 4
Pin 5

Number of poles	Coding	Rated voltage [V]	Current rating [A]	Cable length = L [m]	Wire cross section [mm ²]	Description	Part No.
2+PE	A	300	16	0,6	2,5	SAL-7/8-RKW2PE-RS2PE-0,6/A6/250	41-01700
						SAL-7/8-RKW2PE-RS2PE-1/A6/250	41-01701
						SAL-7/8-RKW2PE-RS2PE-1,5/A6/250	41-01702
						SAL-7/8-RKW2PE-RS2PE-2/A6/250	41-01703
4+PE	A	300	16	0,6	2,5	SAL-7/8-RKW4PE-RS4PE-0,6/A6/250	41-01716
						SAL-7/8-RKW4PE-RS4PE-1/A6/250	41-01717
						SAL-7/8-RKW4PE-RS4PE-1,5/A6/250	41-01718
						SAL-7/8-RKW4PE-RS4PE-2/A6/250	41-01719

TPU, UL, halogenfree, black, Li9Y11Y



PE
Pin 2
Pin 3

Pin 1
Pin 2
PE
Pin 4
Pin 5

2+PE	A	300	16	0,6	2,5	SAL-7/8-RKW2PE-RS2PE-0,6/K0/250	41-01704
						SAL-7/8-RKW2PE-RS2PE-1/K0/250	41-01705
						SAL-7/8-RKW2PE-RS2PE-1,5/K0/250	41-01706
						SAL-7/8-RKW2PE-RS2PE-2/K0/250	41-01707
4+PE	A	300	16	0,6	2,5	SAL-7/8-RKW4PE-RS4PE-0,6/K0/250	41-01720
						SAL-7/8-RKW4PE-RS4PE-1/K0/250	41-01721
						SAL-7/8-RKW4PE-RS4PE-1,5/K0/250	41-01722
						SAL-7/8-RKW4PE-RS4PE-2/K0/250	41-01723

RUND24 CONNECTORS OVERMOULDED

Female connector axial

PVC, UL, grey, LiYY

Contact assignment

Number of poles

Coding

Rated voltage [V]

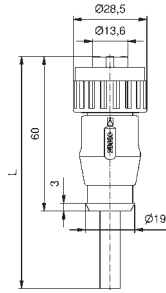
Current rating [A]

Cable length = L [m]

Wire cross section [mm²]

Description

Part No.



Pin 1 ■
 Pin 2 ■
 Pin 3 ■
 PE ■

3+PE

A

300

13

2

SAL-24-RK3PE-2/A3

41-51000

3

SAL-24-RK3PE-3/A3

41-51001

5

SAL-24-RK3PE-5/A3

41-51002

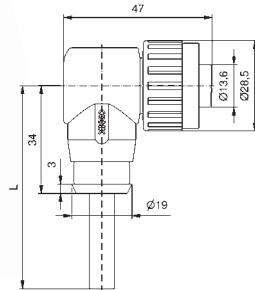
10

SAL-24-RK3PE-10/A3

41-51003

Female connector angled

PVC, UL, grey, LiYY



Pin 1 ■
 Pin 2 ■
 Pin 3 ■
 PE ■

3+PE

A

300

13

2

SAL-24-RKW3PE-2/A3

41-51008

3

SAL-24-RKW3PE-3/A3

41-51009

5

SAL-24-RKW3PE-5/A3

41-51010

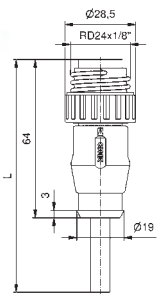
10

SAL-24-RKW3PE-10/A3

41-51011

Male connector axial

PVC, UL, grey, LiYY



Pin 1 ■
 Pin 2 ■
 Pin 3 ■
 PE ■

3+PE

A

300

13

2

SAL-24-RS3PE-2/A3

41-51004

3

SAL-24-RS3PE-3/A3

41-51005

5

SAL-24-RS3PE-5/A3

41-51006

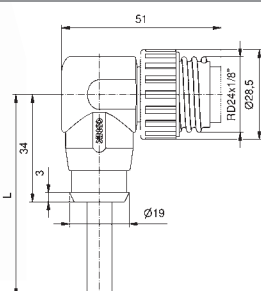
10

SAL-24-RS3PE-10/A3

41-51007

Male connector angled

PVC, UL, grey, LiYY



Pin 1 ■
 Pin 2 ■
 Pin 3 ■
 PE ■

3+PE

A

300

13

2

SAL-24-RSW3PE-2/A3

41-51012

3

SAL-24-RSW3PE-3/A3

41-51013

5

SAL-24-RSW3PE-5/A3

41-51014

10

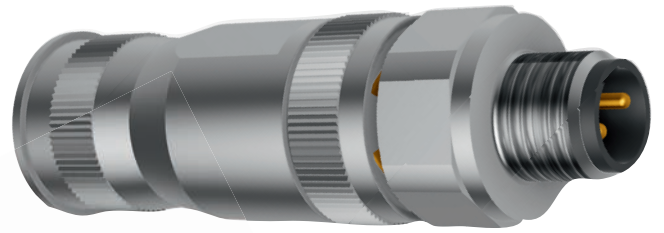
SAL-24-RSW3PE-10/A3

41-51015

SECTION 2

CONNECTORS FIELD ATTACHABLE

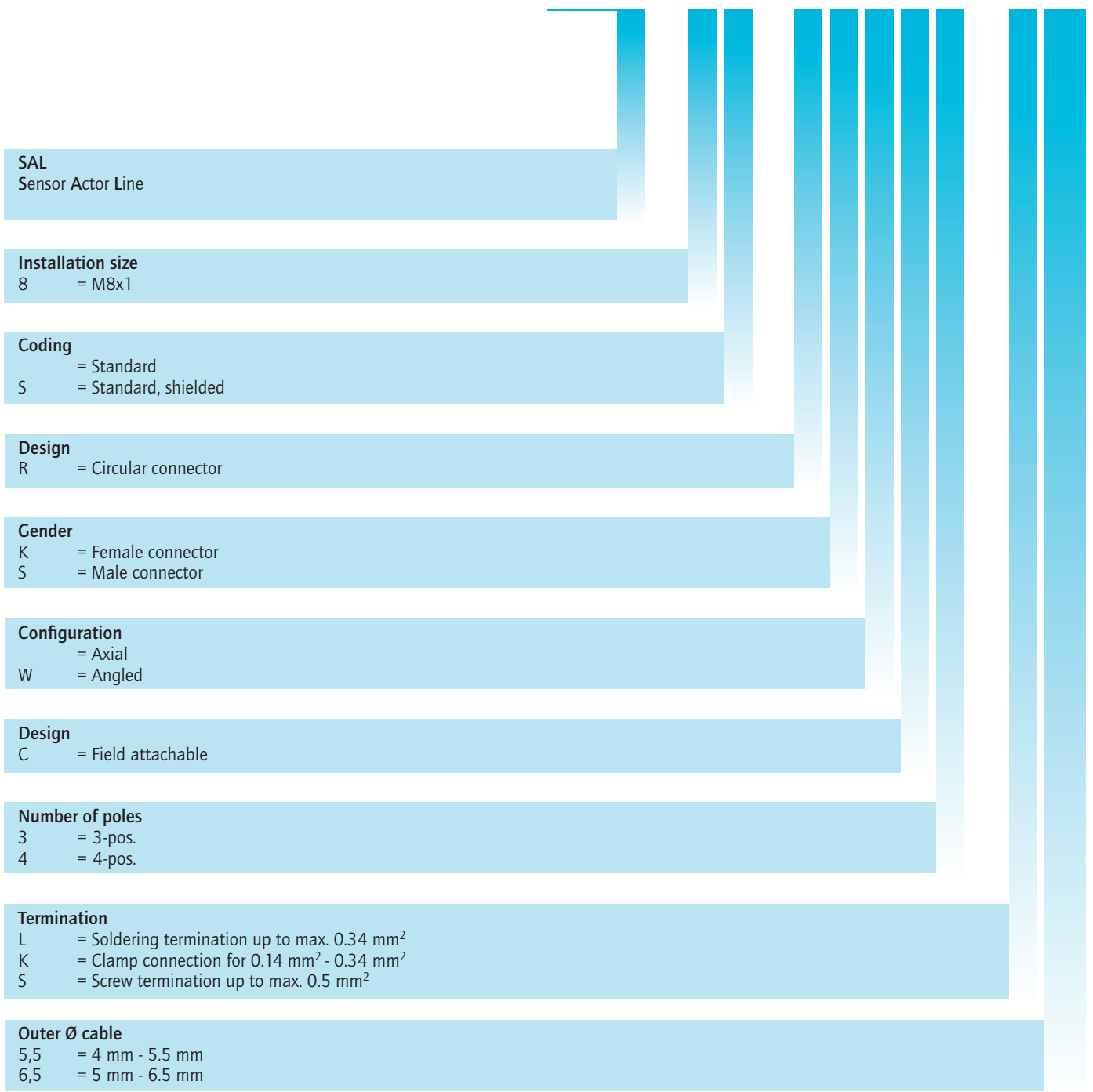




SAL M8x1 CONNECTORS FIELD ATTACHABLE

Nomenclature

S A L - 8 - R K W C 4 - L 55



SAL M8x1 CONNECTORS FIELD ATTACHABLE

Product specification

Basic material	
Contact	CuZn
Contact plating	Nickel plated, gold plated
Contact carrier	PA6 GF, UL 94 / PA6, UL 94
Housing	PA6 GF, UL 94
Cable sealing	NBR
Sealing	FPM
Coupling nut/-screw	GD-Zn, Ni / CuZn, Ni

Technical Data	
Information on the following pages are basing on below mentioned IEC-standards.	
Rated voltage	IEC 61076-2-104
Current rating	IEC 61076-2-104
Insulation resistance	IEC 60512
Degree of pollution	IEC 60664-1
Degree of protection	IEC 60529
Mating cycles	IEC 60512-9a

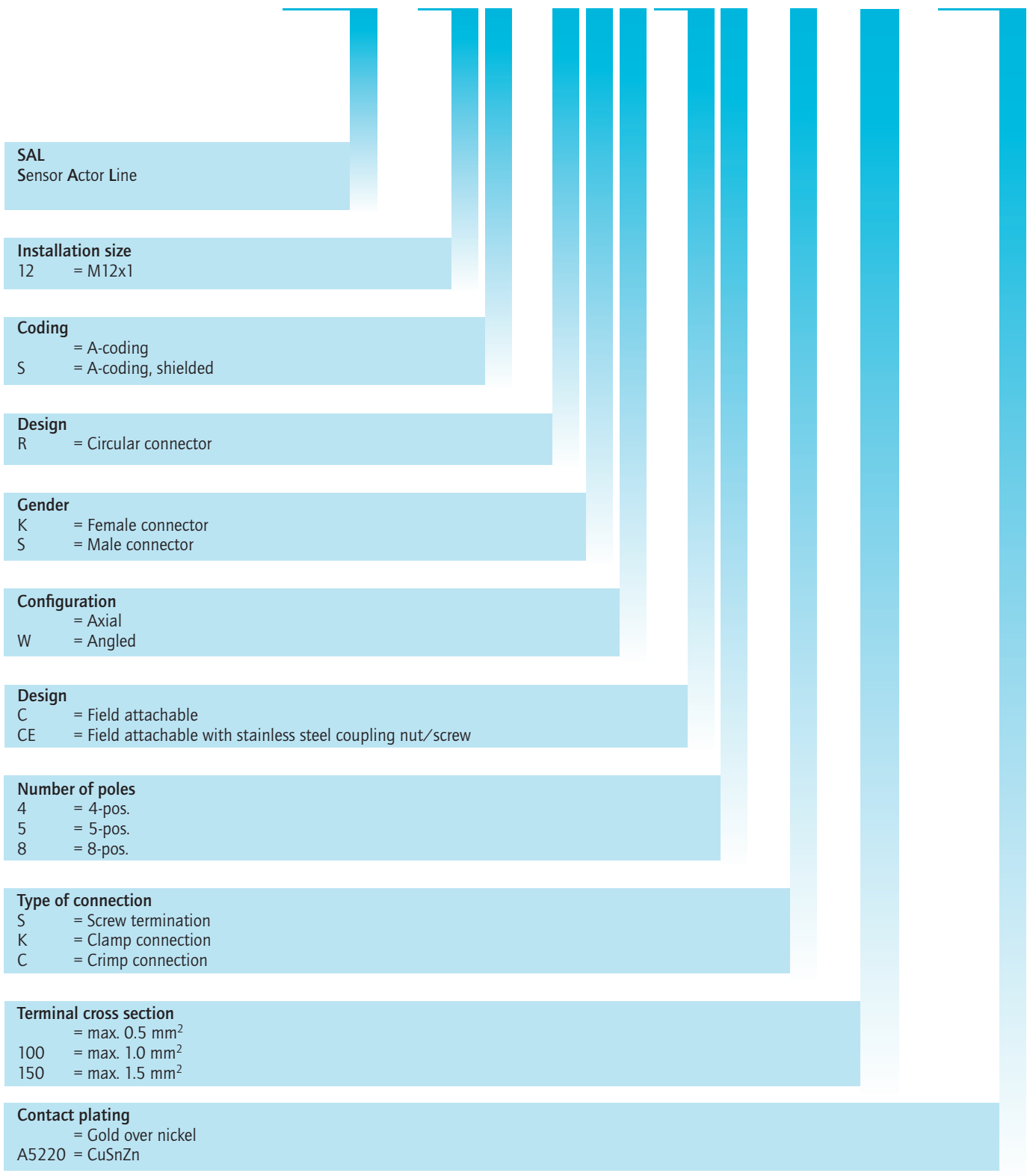
Recommended torquet: 0.4 Nm

Technical subject to change without notice.

SAL M12x1 CONNECTORS FIELD ATTACHABLE

Nomenclature

S A L - 1 2 - R K W C E 4 - S / 150 / A5220



SAL
Sensor Actor Line

Installation size
12 = M12x1

Coding
= A-coding
S = A-coding, shielded

Design
R = Circular connector

Gender
K = Female connector
S = Male connector

Configuration
= Axial
W = Angled

Design
C = Field attachable
CE = Field attachable with stainless steel coupling nut/screw

Number of poles
4 = 4-pos.
5 = 5-pos.
8 = 8-pos.

Type of connection
S = Screw termination
K = Clamp connection
C = Crimp connection

Terminal cross section
= max. 0.5 mm²
100 = max. 1.0 mm²
150 = max. 1.5 mm²

Contact plating
= Gold over nickel
A5220 = CuSnZn

SAL M12x1 CONNECTORS FIELD ATTACHABLE

Product specification

Basic material	
Contact	CuZn
Contact plating	Nickel plated, gold plated / CuSnZn
Contact carrier	PA6, UL 94
Housing	Standard: PA6 GF, UL 94 / Shielded: Die Cast, nickel plated
Clamp-/screw contact	Stainless steel nickel plated
Screw termination	CuZn/Ni, Sn gal.
Cable sealing	Elastomere
Sealing	FPM
Coupling nut/-screw	GD-Zn, Ni / stainless steel

Technical Data

Information on the following pages are basing on below mentioned IEC-standards.

Rated voltage	IEC 61076-2-101
Current rating	IEC 61076-2-101
Insulation resistance	IEC 60512
Degree of pollution	IEC 60664-1
Degree of protection	IEC 60529
Mating cycles	IEC 60512-9a

Recommended torquet: 0.6 Nm

Technical subject to change without notice.

SAL 7/8" CONNECTORS FIELD ATTACHABLE

Nomenclature

S A L - 7 / 8 - R K C 4 - S

SAL
Sensor Actor Line

Installation size
7/8 = 7/8"

Design
R = Circular connector

Gender
K = Female connector
S = Male connector

Design
C = Field attachable

Number of poles
2PE = 2-pos. + PE
4 = 4-pos.
4PE = 4-pos. + PE

Type of connection
S = Screw termination

SAL 7/8" CONNECTORS FIELD ATTACHABLE

Product specification

Basic material	
Contact	CuZn
Contact plating	Nickel plated, gold plated
Contact carrier	TPU, UL 94
Housing	PA6 GF, UL 94
Cable sealing	Elastomere
Coupling nut/-screw	CuZn, nickel plated

Technical Data

Information on the following pages are basing on below mentioned IEC-standards.

Rated voltage	IEC 60664-1
Overtoltage category	IEC 60664-1 2
Overtoltage impulse	IEC 60664-1 2,7kV
Current rating	IEC 60512-3
Insulation resistance	IEC 60512
Degree of pollution	IEC 60664-1
Degree of protection	IEC 60529
Mating cycles	IEC 60512-9a

Technical subject to change without notice.

SAL M23 CONNECTORS FIELD ATTACHABLE

Nomenclature

S A L - 2 3 - R K C 16+3 - C

SAL
Sensor Actor Line

Installation size
23 = M23

Design
R = Circular connector

Gender
K = Female connector
S = Male connector

Design
C = Field attachable

Number of poles
16+3 = 16x Signal- + 3x Power contacts
16.8+3 = 8x Signal- + 3x Power contacts

Type of termination
C = Crimp termination
L = Soldering termination

SAL M23 CONNECTORS FIELD ATTACHABLE

Product specification

Basic material	
Contact	CuZn
Contact plating	Nickel plated, gold plated
Contact carrier	PA6, UL 94 / PBT, UL 94
Housing	GD-Zn, Ni
Cable sealing	Elastomere
Coupling nut/-screw	GD-Zn, Ni

Technical Data	
Information on the following pages are basing on below mentioned IEC-standards.	
Rated voltage	IEC 60664-1
Current rating	IEC 60512-3
Insulation resistance	IEC 60512
Degree of pollution	IEC 60664-1
Degree of protection	IEC 60529
Mating cycles	IEC 60512-9a

Technical subject to change without notice.

SAL M23 CONNECTORS FIELD ATTACHABLE WITH CABLE

Nomenclature

S A L - 2 3 - R K C 16+3 / 5 / K 1

SAL
Sensor Actor Line

Installation size
23 = M23

Design
R = Circular connector

Gender
K = Female connector
S = Male connector

Design
C = Field attachable

Number of poles
16+3 = 16x Signal- + 3x Power contacts
16.8+3 = 8x Signal- + 3x Power contacts

Cable length
xx = Length [m]

Cable quality
K1 = TPU, black, high flexible, halogenfree, UL

SAL M23 CONNECTORS FIELD ATTACHABLE WITH CABLE

Product specification

Basic material	
Contact	CuZn
Contact plating	Nickel plated, gold plated
Contact carrier	PA6, UL 94 / PBT, UL 94
Housing	GD-Zn, Ni
Cable sealing	Elastomere
Coupling nut/-screw	GD-Zn, Ni

Technical Data	
Information on the following pages are basing on below mentioned IEC-standards.	
Rated voltage	IEC 60664-1
Current rating	IEC 60512-3
Insulation resistance	IEC 60512
Degree of pollution	IEC 60664-1
Degree of protection	IEC 60529
Mating cycles	IEC 60512-9a

Technical subject to change without notice.

SAL RUND24 CONNECTORS FIELD ATTACHABLE

Nomenclature

S A L - 2 4 - R K C 3 P E - S

SAL
Sensor Actor Line

Installation size
24 = Rund24

Design
R = Circular connector

Gender
K = Female connector
S = Male connector

Design
C = Field attachable

Number of poles
3PE = 3-pos. + PE
6PE = 6-pos. + PE

Type of connection
S = Screw termination

SAL RUND24 CONNECTORS FIELD ATTACHABLE

Product specification

Basic material	
Contact	CuZn
Contact plating	Ni, Ag gal.
Contact carrier	PA6 GF, UL 94
Housing	PA6 GF, UL 94
Cable sealing	Elastomere
Sealing	FPM
Coupling nut/-screw	PA GF, UL 94

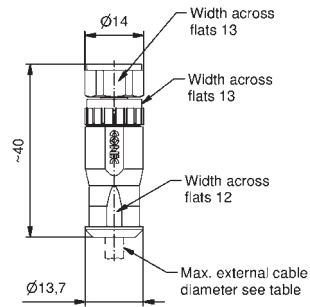
Technical Data	
Information on the following pages are basing on below mentioned IEC-standards.	
Rated voltage	IEC 60664-1
Current rating	IEC 60512-3
Insulation resistance	IEC 60512
Degree of pollution	IEC 60664-1
Degree of protection	IEC 60529
Mating cycles	IEC 60512-9a

Technical subject to change without notice.

M8x1 CONNECTORS FIELD ATTACHABLE

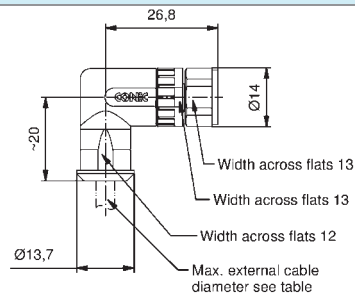
Screw termination

Female connector axial



Number of poles	Coding	Rated voltage [V]	Current rating [A]	Outer ø cable [mm]	Wire cross section min-max [mm ²]	Description	Part No.
3		60 V DC 50 V AC	4	4-5,5	0,14 - 0,5	SAL-8-RKC3-S5,5	42-00010
4		60 V DC 50 V AC	4	4-5,5	0,14 - 0,5	SAL-8-RKC4-S5,5	42-00012

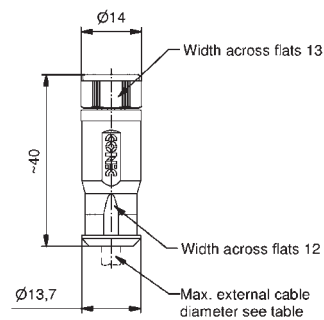
Female connector angled



3		60 V DC 50 V AC	4	4-5,5	0,14 - 0,5	SAL-8-RKWC3-S5,5	42-00026
4		60 V DC 50 V AC	4	4-5,5	0,14 - 0,5	SAL-8-RKWC4-S5,5	42-00028

Clamp termination

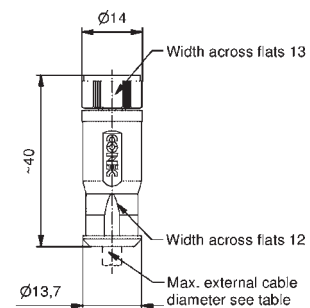
Female connector axial



3		60 V DC 50 V AC	3	4-5,5	0,14 - 0,34	SAL-8-RKC3-K5,5	42-00002
4		60 V DC 50 V AC	3	4-5,5	0,14 - 0,34	SAL-8-RKC4-K5,5	42-00004

Solder termination

Female connector axial

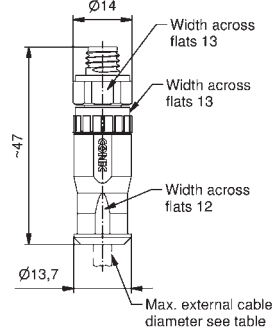


3		60 V DC 50 V AC	3	4-5,5	0,14 - 0,34	SAL-8-RKC3-L5,5	42-00006
4		60 V DC 50 V AC	3	4-5,5	0,14 - 0,34	SAL-8-RKC4-L5,5	42-00008

M8x1 CONNECTORS FIELD ATTACHABLE

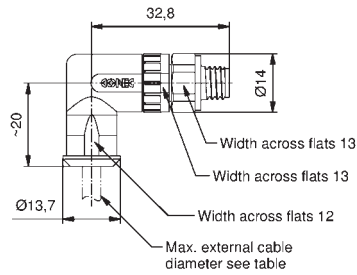
Screw termination

Male connector axial



Number of poles	Coding	Rated voltage [V]	Current rating [A]	Outer ø cable [mm]	Wire cross section min-max [mm ²]	Description	Part No.
3		60 V DC 50 V AC	4	4-5,5	0,14 - 0,5	SAL-8-RSC3-S5,5	42-00009
4		60 V DC 50 V AC	4	4-5,5	0,14 - 0,5	SAL-8-RSC4-S5,5	42-00011

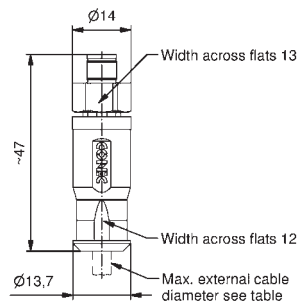
Male connector angled



3		60 V DC 50 V AC	4	4-5,5	0,14 - 0,5	SAL-8-RSWC3-S5,5	42-00025
4		60 V DC 50 V AC	4	4-5,5	0,14 - 0,5	SAL-8-RSWC4-S5,5	42-00027

Clamp termination

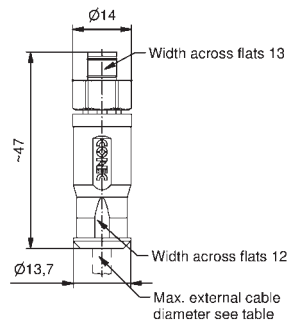
Male connector axial



3		60 V DC 50 V AC	3	4-5,5	0,14 - 0,34	SAL-8-RSC3-K5,5	42-00001
4		60 V DC 50 V AC	3	4-5,5	0,14 - 0,34	SAL-8-RSC4-K5,5	42-00003

Solder termination

Male connector axial

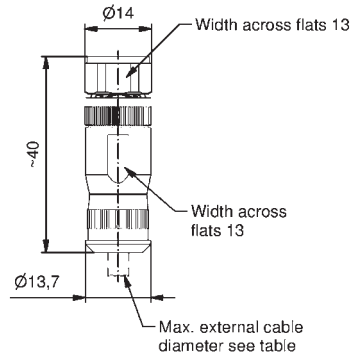


3		60 V DC 50 V AC	3	4-5,5	0,14 - 0,34	SAL-8-RSC3-L5,5	42-00005
4		60 V DC 50 V AC	3	4-5,5	0,14 - 0,34	SAL-8-RSC4-L5,5	42-00007

M8x1 CONNECTORS FIELD ATTACHABLE 360° Shielding

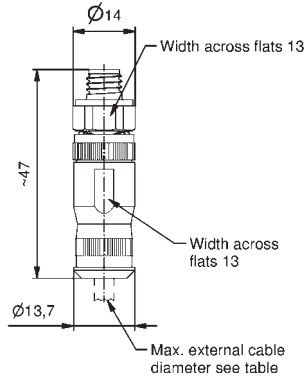
Screw termination

Female connector axial



Number of poles	Coding	Rated voltage [V]	Current rating [A]	Outer ø cable [mm]	Wire cross section min-max [mm ²]	Description	Part No.
3		50 V AC / 60 V DC	4	5-6,5	0,14 - 0,5	SAL-8S-RKC3-S6,5	42-00034
4		50 V AC / 60 V DC	4	5-6,5	0,14 - 0,5	SAL-8S-RKC4-S6,5	42-00036

Male connector axial

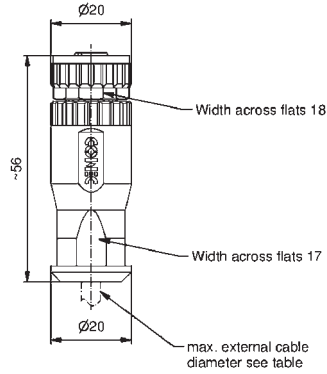


3		50 V AC / 60 V DC	4	5-6,5	0,14 - 0,5	SAL-8S-RSC3-S6,5	42-00033
4		50 V AC / 60 V DC	4	5-6,5	0,14 - 0,5	SAL-8S-RSC4-S6,5	42-00035

M12x1 CONNECTORS FIELD ATTACHABLE

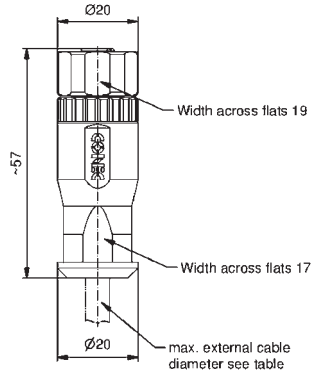
Screw termination

Female connector axial



Number of poles	Coding	Rated voltage [V]	Current rating [A]	Outer \varnothing cable [mm]	Wire cross section min-max [mm ²]	Contact plating	Description	Part No.
4	A	250	7,5	4-8	0,25 - 1,5	Au	SAL-12-RKC4-S/150	43-00092
4	A	250	7,5	4-8	0,25 - 1,5	CuSnZn	SAL-12-RKC4-S/150/A5220	43-00268
5	A	60	7,5	4-8	0,25 - 1,5	Au	SAL-12-RKC5-S/150	43-00094
5	A	60	7,5	4-8	0,25 - 1,5	CuSnZn	SAL-12-RKC5-S/150/A5220	43-00269
8	A	30	2	4-8	0,14 - 0,5	Au	SAL-12-RKC8-S	43-00130

Female connector axial with stainless steel coupling nut

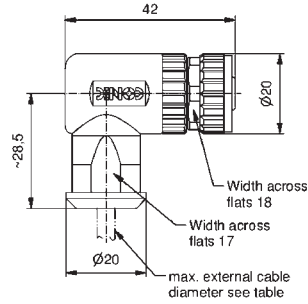


4	A	250	7,5	4-8	0,25 - 1,5	Au	SAL-12-RKCE4-S/150	43-00338
5	A	60	7,5	4-8	0,25 - 1,5	Au	SAL-12-RKCE5-S/150	43-00339
8	A	30	2	4-8	0,14 - 0,5	Au	SAL-12-RKCE8-S	43-00340

M12x1 CONNECTORS FIELD ATTACHABLE

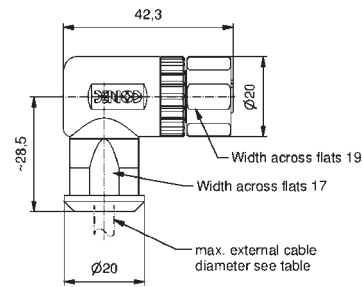
Screw termination

Female connector angled



Number of poles	Coding	Rated voltage [V]	Current rating [A]	Outer ø cable [mm]	Wire cross section min-max [mm²]	Contact plating	Description	Part No.
4	A	250	7,5	4-8	0,25 - 1,5	Au	SAL-12-RKWCE4-S/150	43-00096
4	A	250	7,5	4-8	0,25 - 1,5	CuSnZn	SAL-12-RKWCE4-S/150A5220	43-00276
5	A	60	7,5	4-8	0,25 - 1,5	Au	SAL-12-RKWCE5-S/150	43-00098
5	A	60	7,5	4-8	0,25 - 1,5	CuSnZn	SAL-12-RKWCE5-S/150/A5220	43-00277
8	A	30	2	4-8	0,14 - 0,5	Au	SAL-12-RKWCE8-S	43-00131

Female connector angled with stainless steel coupling nut

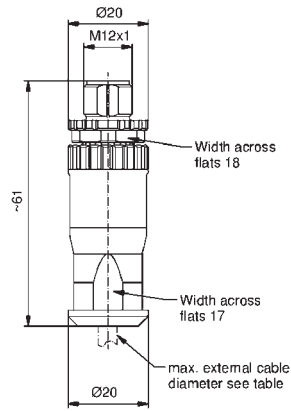


4	A	250	7,5	4-8	0,25 - 1,5	Au	SAL-12-RKWCE4-S/150	43-00349
5	A	60	7,5	4-8	0,25 - 1,5	Au	SAL-12-RKWCE5-S/150	43-00350
8	A	30	2	4-8	0,14 - 0,5	Au	SAL-12-RKWCE8-S	43-00351

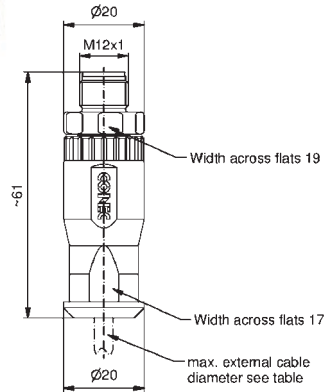
M12x1 CONNECTORS FIELD ATTACHABLE

Screw termination

Male connector axial



Male connector axial with stainless steel coupling screw

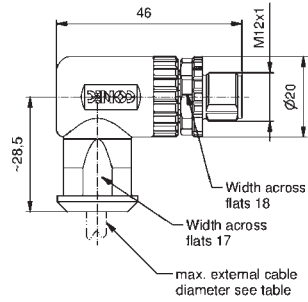


Number of poles	Coding	Rated voltage [V]	Current rating [A]	Outer ø cable [mm]	Wire cross section min-max [mm ²]	Contact plating	Description	Part No.
4	A	250	7,5	4-8	0,25 - 1,5	Au	SAL-12-RSC4-S/150	43-00100
4	A	250	7,5	4-8	0,25 - 1,5	CuSnZn	SAL-12-RSC4-S/150/A5220	43-00272
5	A	60	7,5	4-8	0,25 - 1,5	Au	SAL-12-RSC5-S/150	43-00102
5	A	60	7,5	4-8	0,25 - 1,5	CuSnZn	SAL-12-RSC5-S/150/A5220	43-00273
8	A	30	2	4-8	0,14 - 0,5	Au	SAL-12-RSC8-S	43-00132
4	A	250	7,5	4-8	0,25 - 1,5	Au	SAL-12-RSCE4-S/150	43-00341
5	A	60	7,5	4-8	0,25 - 1,5	Au	SAL-12-RSCE5-S/150	43-00342
8	A	30	2	4-8	0,14 - 0,5	Au	SAL-12-RSCE8-S	43-00343

M12x1 CONNECTORS FIELD ATTACHABLE

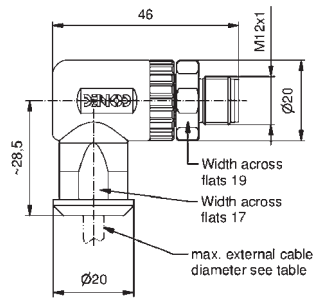
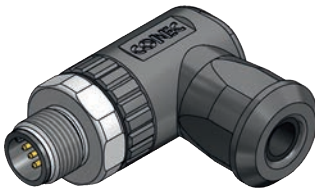
Screw termination

Male connector angled



Number of poles	Coding	Rated voltage [V]	Current rating [A]	Outer ø cable [mm]	Wire cross section min-max [mm²]	Contact plating	Description	Part No.
4	A	250	7,5	4-8	0,25 - 1,5	Au	SAL-12-RSWC4-S/ 150	43-00104
4	A	250	7,5	4-8	0,25 - 1,5	CuSnZn	SAL-12-RSWCE4-S/ 150/A5220	43-00278
5	A	60	7,5	4-8	0,25 - 1,5	Au	SAL-12-RSWC5-S/ 150	43-00106
5	A	60	7,5	4-8	0,25 - 1,5	CuSnZn	SAL-12-RSWC5-S/ 150/A5220	43-00279
8	A	30	2	4-8	0,14 - 0,5	Au	SAL-12-RSWC8-S	43-00133

Male connector angled with stainless steel coupling screw

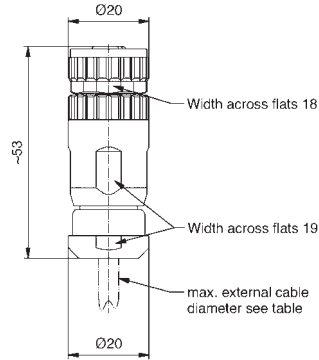
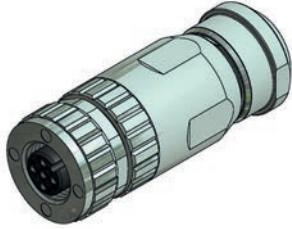


4	A	250	7,5	4-8	0,25 - 1,5	Au	SAL-12-RSWCE4-S/ 150	43-00352
5	A	60	7,5	4-8	0,25 - 1,5	Au	SAL-12-RSWCE5-S/ 150	43-00353
8	A	30	2	4-8	0,14 - 0,5	Au	SAL-12-RSWCE8-S	43-00354

M12x1 CONNECTORS FIELD ATTACHABLE 360° Shielding

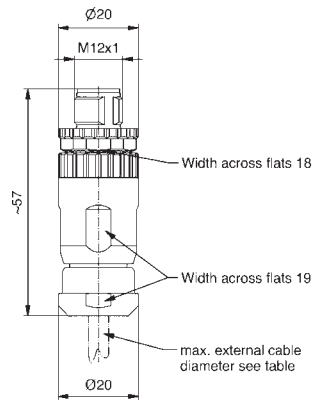
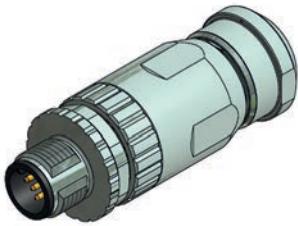
Screw termination

Female connector axial



Number of poles	Coding	Rated voltage [V]	Current rating [A]	Outer ø cable [mm]	Wire cross section min-max [mm²]	Contact plating	Description	Part No.
4	A	250	7,5	4-8	0,25 - 1,5	Au	SAL-12S-RKC4-S/ 150	43-00113
4	A	250	7,5	4-8	0,25 - 1,5	CuSnZn	SAL-12S-RKC4-S/ 150/A5220	43-00326
5	A	60	7,5	4-8	0,25 - 1,5	Au	SAL-12S-RKC5-S/ 150	43-00114
5	A	60	7,5	4-8	0,25 - 1,5	CuSnZn	SAL-12S-RKC5-S/ 150/A5220	43-00356
8	A	30	2	4-8	0,14 - 0,5	Au	SAL-12S-RKC8-S	43-00128

Male connector axial

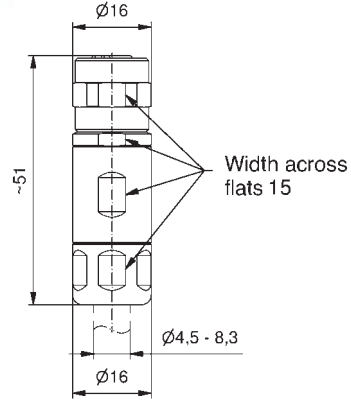


4	A	250	7,5	4-8	0,25 - 1,5	Au	SAL-12S-RSC4-S/ 150	43-00115
5	A	60	7,5	4-8	0,25 - 1,5	Au	SAL-12S-RSC5-S/ 150	43-00116
8	A	30	2	4-8	0,14 - 0,5	Au	SAL-12S-RSC8-S	43-00129

M12x1 CONNECTORS FIELD ATTACHABLE
360° Shielding

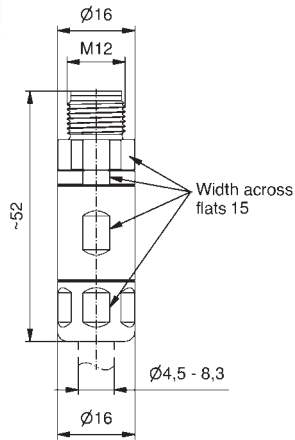
Crimp termination

Female connector axial



Number of poles	Coding	Rated voltage [V]	Current rating [A]	Outer ø cable [mm]	Wire cross section min-max [mm ²]	Description	Part No.
4	A	250	4	4,5 - 8,3	0,25 - 0,5	SAL-12S-RKC4-C	43-00419
4	A	250	4	4,5 - 8,3	0,34 - 1,0	SAL-12S-RKC4-C/100	43-00421

Male connector axial

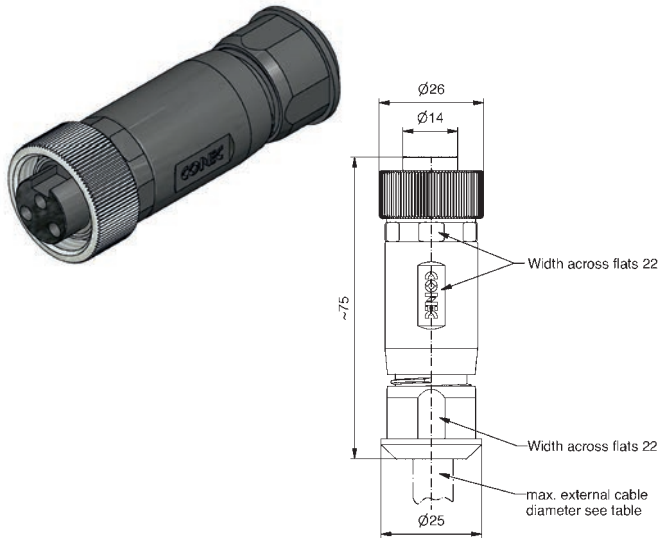


4	A	250	4	4,5 - 8,3	0,25 - 0,5	SAL-12S-RSC4-C	43-00420
4	A	250	4	4,5 - 8,3	0,34 - 1,0	SAL-12S-RSC4-C/100	43-00424

7/8" CONNECTORS FIELD ATTACHABLE

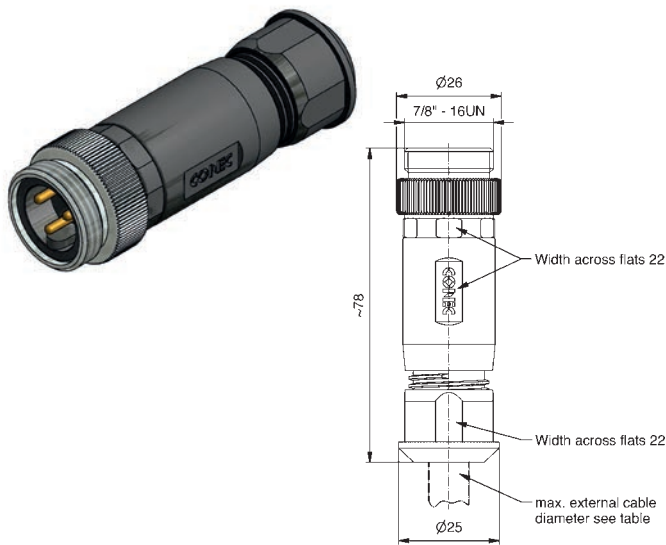
Screw termination

Female connector axial



Number of poles	Coding	Rated voltage [V]	Current rating [A]	Outer ø cable [mm]	Wire cross section min-max [mm ²]	Description	Part No.
2+PE		250	12	6-12	0,5 - 1,5	SAL-7/8-RKC2PE-S	41-00001
4		250	9	6-12	0,5 - 1,5	SAL-7/8-RKC4-S	41-00002
4+PE		250	9	6-12	0,5 - 1,5	SAL-7/8-RKC4PE-S	41-00003

Male connector axial

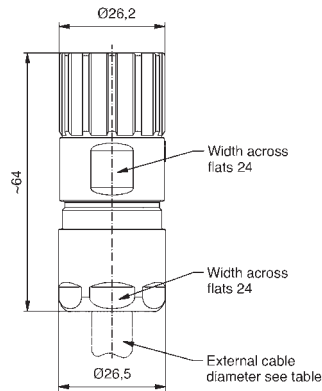
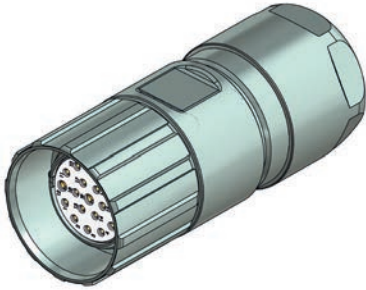


2+PE		250	12	6-12	0,5 - 1,5	SAL-7/8-RSC2PE-S	41-00004
4		250	9	6-12	0,5 - 1,5	SAL-7/8-RSC4-S	41-00005
4+PE		250	9	6-12	0,5 - 1,5	SAL-7/8-RSC4PE-S	41-00006

M23 CONNECTORS FIELD ATTACHABLE

Solder termination

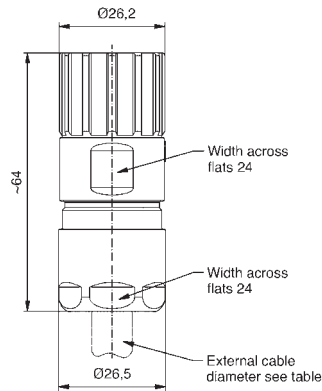
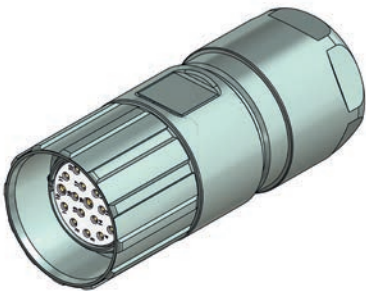
Female connector axial



Number of poles	Coding	Rated voltage [V]	Current rating [A]	Outer ø cable [mm]	Wire cross section min-max [mm ²]	Cable length [m]	Description	Part No.
16+3		100	10/8	3-17	Signal max. 0,5 mm ² Power max. 1,0 mm ²		SAL-23-RKC16+3-L	41-90001

Crimp termination

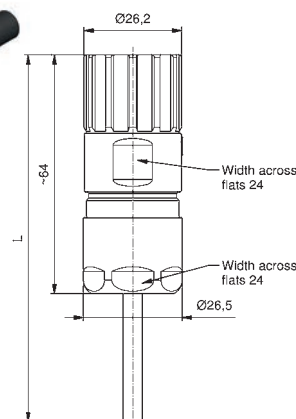
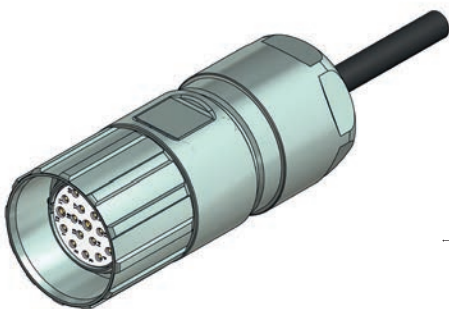
Female connector axial



8+3		100	10/8	3-17	Signal max. 0,5 mm ² Power max. 1,0 mm ²		SAL-23-RKC16.8+3-C	41-90002
16+3		100	10/8	3-17	Signal max. 0,5 mm ² Power max. 1,0 mm ²		SAL-23-RKC16+3-C	41-90000

With cable

Female connector axial, TPU UL, halogenfree, black, Li9Y11Y

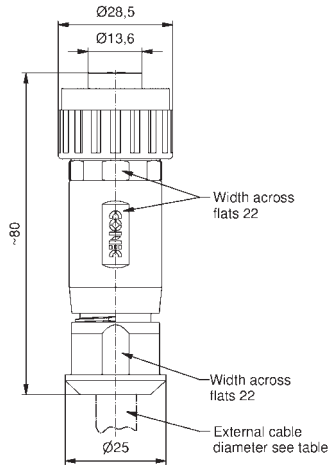


8+3		100	10/8	3 x 1 ² + 8 x 0,34 ²	5	SAL-23-RKC16.8+3-5/K1	41-90005
					10	SAL-23-RKC16.8+3-10/K1	41-90006
16+3		100	10/8	3 x 1 ² + 16 x 0,34 ²	5	SAL-23-RKC16+3-5/K1	41-90003
					10	SAL-23-RKC16+3-10/K1	41-90004

Rund24 CONNECTORS FIELD ATTACHABLE

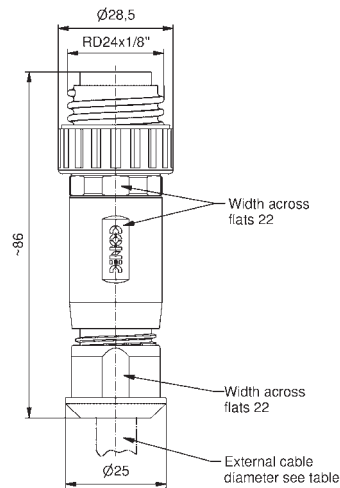
Screw termination

Female connector axial



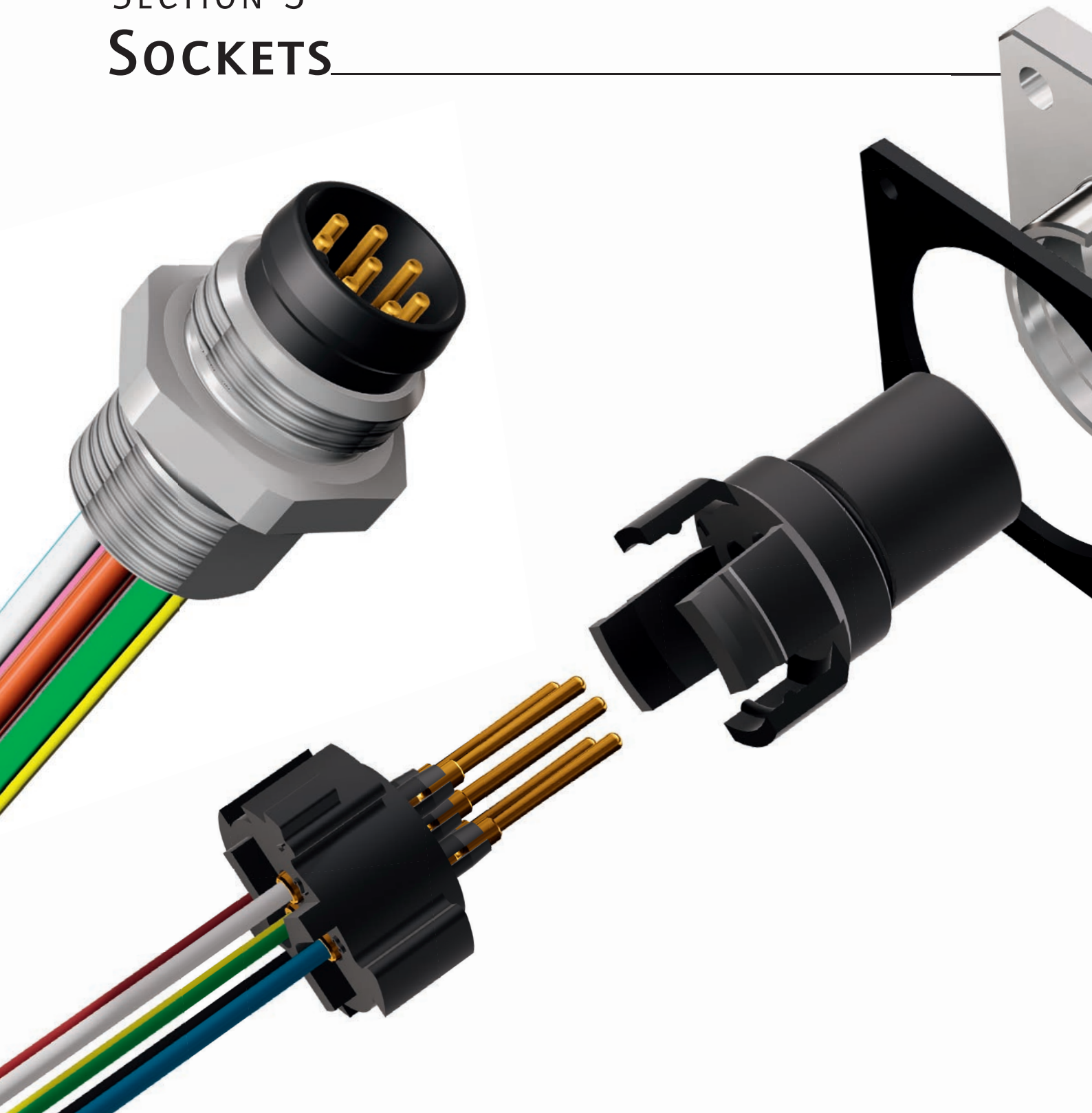
Number of poles	Coding	Rated voltage [V]	Current rating [A]	Outer ø cable [mm]	Wire cross section min-max [mm ²]	Description	Part No.
3+PE		400	16	6-12	0,5 - 1,5	SAL-24-RKC3PE-S	41-50000
6+PE		250	10	6-12	0,5 - 1,5	SAL-24-RKC6PE-S	41-50001

Male connector axial



3+PE		400	16	6-12	0,5 - 1,5	SAL-24-RSC3PE-S	41-50002
6+PE		250	10	6-12	0,5 - 1,5	SAK-24-RSC6PE-S	41-50003

SECTION 3
SOCKETS





SAL M8x1/M12x1 SOCKETS

Nomenclature

S A L - - 8 S - F K P D A 3 - - XX - 9 / G4

SAL
Sensor Actor Line

Type
= Standard

Installation size
8 = M8x1
12 = M12x1

Coding
= A-coding (M12x1), Standard (M8x1)
B = B-coding
BS = B-coding shielded (M8x1)
S = A-coding shielded (M12x1)

Design
F = Socket
I = Insolation body

Gender
K = Female connector
S = Male connector

Assembly
= Front panel mounting
P = Positioning possible, frontmounting
H = Back panel mounting

Type
D = Coupling nut turnable
V = Square flange
VO = Square flange with o-ring sealing

Configuration
= Axial
W = Angled

Number of poles
3 = 3-pos. 8 = 8-pos.
4 = 4-pos. 12 = 12-pos.
5 = 5-pos.

LED-Display
= Without LEDs
4L = 4 LEDs

Type of Connection/Installation height

X5 = Dip solder 5.5 mm	X11 = Dip solder 11.2 mm	P5,5 = Dip solder 5.5 mm
X6 = Dip solder 6 mm	X12 = Dip solder 12.2 mm	P6.75 = Dip solder 6.75 mm
X8 = Dip solder 8.2 mm	X13 = Dip solder 13 mm	P12 = Dip solder 12 mm
X9 = Dip solder 9 mm	X15 = Dip solder 15.2 mm	L = Solder termination
X10 = Dip solder 10 mm		XX = Wire/Cable lenght [m]

Pxx = Installation height one-piece socket
Xxx = Installation height two-piece socket

Screw connection

= M8x0.5	9 = PG9	20 = Square flange 20 x 20
= M8x1	11 = PG11	26 = Square flange 26 x 26
= M12x1	12 = M12x1	
= M16x1.5		

Cable quality

G2 = TPU, black, UL
G3 = PVC, grey, UL

SAL M8x1 / M12x1 SOCKETS

Product specification

Basic material	
Contact	CuZn
Contact plating	Nickel plated. gold plated
Contact carrier	PBT GF. UL 94 / PA. UL 94 / TPU GF. UL 94
Sealing	FPM / NBR
Counter nut	CuZn. nickel plated
Socket housing	CuZn. nickel plated
Sealing compound	Polyurethane-resin. UL 94
Shielding	Spring steel
Shielding plated	Sn plated
Coupling nut turnable	GD-Zn. nickel plated
Light conductor	PA 12

Technical Data

Information on the following pages are basing on below mentioned IEC-standards.

Rated voltage	IEC 61076-2-104 / IEC 61076-2-101
Current rating	IEC 61076-2-104 / IEC 61076-2-101
Insulation resistance	IEC 60512
Degree of pollution	IEC 60664-1
Degree of protection	IEC 60529
Mating cycles	IEC 60512-9a

Recommended torque for housing: 0.8-1.2 Nm

Technical subject to change without notice.

SAL 7/8" SOCKETS

Nomenclature

S A L - 7 / 8 - F K 4 - 0,5 / -

SAL Sensor Actor Line	
Installation size 7/8 = 7/8"	
Design F = Socket	
Gender K = Female connector S = Male connector	
Assembly = Front panel mounting H = Back panel mounting	
Number of poles 2 PE = 2-pos. + PE 4 = 4-pos. 4 PE = 4-pos. + PE	
Type of Connection/Installation height P10 = Dip solder 10 mm XX = Wire length [m] X10 = Dip solder 10 mm Pxx = Installation height one-piece socket Xxx = Installation height two-piece socket	
Wire cross-section = 0.75 mm ² 150 = 1.50 mm ² 250 = 2.50 mm ²	
Screw connection = PG13.5 11 = PG11	

SAL 7/8" SOCKETS

Product specification

Basic material	
Contact	CuZn
Contact plating	Nickel plated. gold plated
Contact carrier	TPU. UL 94
Sealing	FPM
Counter nut	CuZn. nickel plated
Socket housing	CuZn. nickel plated
Sealing compound	Polyurethane-resin. UL 94

Technical Data

Information on the following pages are basing on below mentioned IEC-standards.

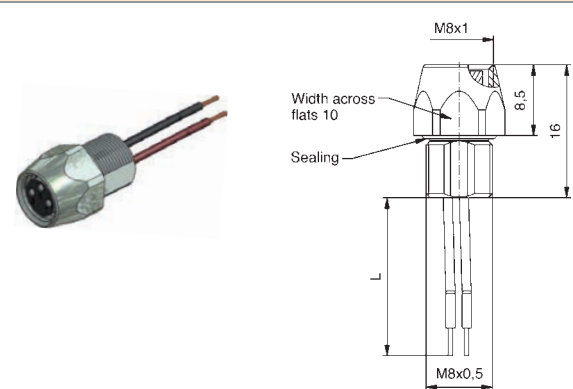
Rated voltage	IEC 60664-1
Overvoltage category	IEC 60664-1 2
Overvoltage impulse	IEC 60664-1 2.7kV
Current rating	IEC 60512-3
Insulation resistance	IEC 60512
Degree of pollution	IEC 60664-1
Degree of protection	IEC 60529
Mating cycles	IEC 60512-9a

Technical subject to change without notice.

M8x1 SOCKETS

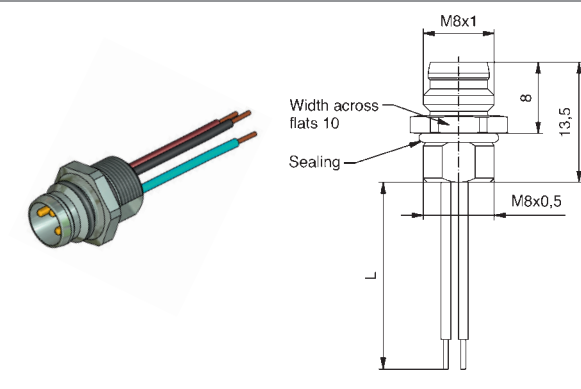
Front panel mounting, wire termination

Female connector, M8x0.5 thread



Contact assignment	Number of poles	Coding	Rated voltage [V]	Current rating [A]	Wire material	Wire cross section [AWG]	Installation height [mm]	Description	Part No.
Pin 1 Pin 3 Pin 4	3		50 V AC/ 60 V DC	3	PVC	24	0,2	SAL-8-FK3-0,2	42-01000
Pin 1 Pin 2 Pin 3 Pin 4	4		50 V AC/ 60 V DC	3	PVC	24	0,2	SAL-8-FK4-0,2	42-01001
Pin 1 Pin 2 Pin 3 Pin 4 Pin 5	5	B	30	3	PVC	24	0,2	SAL-8B-FK5.1-0,2	42-01069
Pin 1 Pin 2 Pin 3 Pin 4 Pin 5 Pin 6 Pin 7 Pin 8	8	A	30	1,5	PVC	26	0,2	SAL-8-FK8-0,2	42-01070

Male connector, M8x0.5 thread

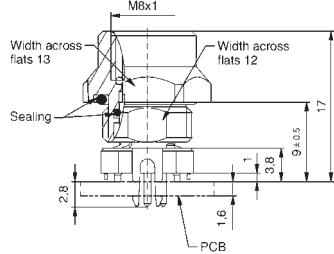


Pin 1 Pin 3 Pin 4	3		50 V AC/ 60 V DC	3	PVC	24	0,2	SAL-8-FS3-0,2	42-01032
Pin 1 Pin 2 Pin 3 Pin 4	4		50 V AC/ 60 V DC	3	PVC	24	0,2	SAL-8-FS4-0,2	42-01033
Pin 1 Pin 2 Pin 3 Pin 4 Pin 5 Pin 6 Pin 7 Pin 8	8	A	30	1,5	PVC	26	0,2	SAL-8-FS8-0,2	42-01165
Pin 1 Pin 2 Pin 3 Pin 4 Pin 5 Pin 6 Pin 7 Pin 8	8	A	30	1,5	PVC	26	0,2	SAL-8-FS8U-0,2	42-01164

M8x1 SOCKETS

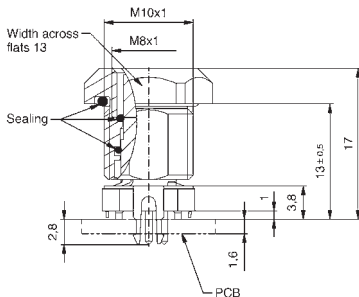
Front panel mounting, dip solder termination, shielded

Female connector axial, installation height 9 mm



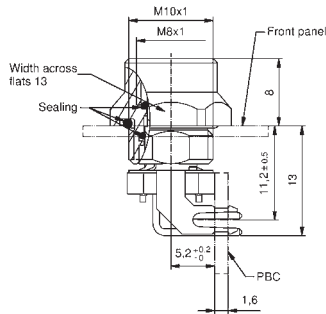
Number of poles	Coding	Rated voltage [V]	Current rating [A]	Installation height [mm]	Description	Part No.
3		50 V AC/ 60 V DC	4	9	SAL-8S-FK3-X9	42-01357
4		50 V AC/ 60 V DC	4	9	SAL-8S-FK4-X9	42-01365
5	B	30	4	9	SAL-8S-FK5-X9	42-01373
8	A	30	1,5	9	SAL-8S-FK8-X9	42-01385

Female connector axial, installation height 13 mm



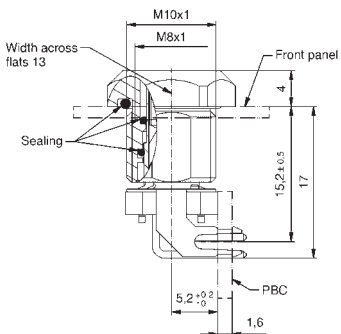
3		50 V AC/ 60 V DC	4	13	SAL-8S-FK3-X13	42-01358
4		50 V AC/ 60 V DC	4	13	SAL-8S-FK4-X13	42-01366
5	B	30	4	13	SAL-8S-FK5-X13	42-01374
8	A	30	1,5	13	SAL-8S-FK8-X13	42-01386

Female connector angled, installation height 11.2 mm



3		50 V AC/ 60 V DC	4	11,2	SAL-8S-FKW3-X11	42-01417
4		50 V AC/ 60 V DC	4	11,2	SAL-8S-FKW4-X11	42-01425

Female connector angled, installation height 15.2 mm

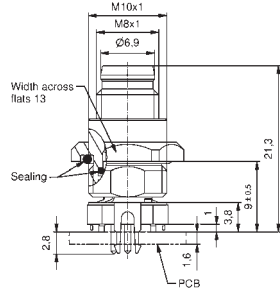


3		50 V AC/ 60 V DC	4	15,2	SAL-8S-FKW3-X15	42-01418
4		50 V AC/ 60 V DC	4	15,2	SAL-8S-FKW4-X15	42-01426

M8x1 SOCKETS

Front panel mounting, dip solder termination, shielded

Male connector axial, installation height 9 mm



Number of poles

Coding

Rated voltage [V]

Current rating [A]

Installation height [mm]

Description

Part No.

3

50 V AC/
60 V DC

4

9

SAL-8S-FS3-X9

42-01361

4

50 V AC/
60 V DC

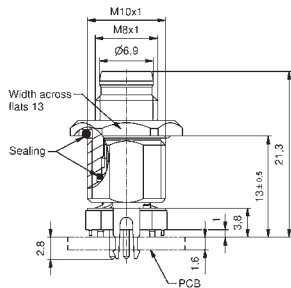
4

9

SAL-8S-FS4-X9

42-01369

Male connector axial, installation height 13 mm



3

50 V AC/
60 V DC

4

13

SAL-8S-FS3-X13

42-01362

4

50 V AC/
60 V DC

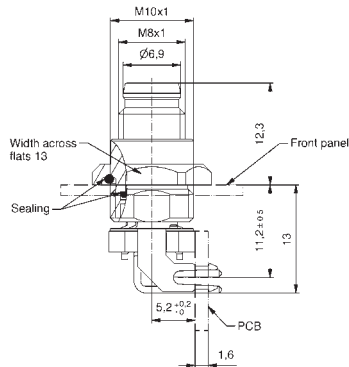
4

13

SAL-8S-FS4-X13

42-01370

Male connector angled, installation height 11.2 mm



3

50 V AC/
60 V DC

4

11,2

SAL-8S-FSW3-X11

42-01421

4

50 V AC/
60 V DC

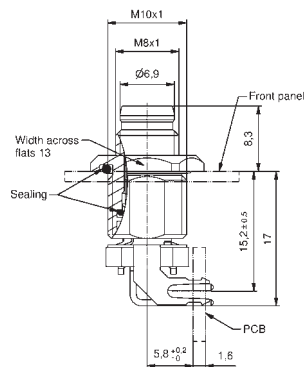
4

11,2

SAL-8S-FSW4-X11

42-01429

Male connector angled, installation height 15.2 mm



3

50 V AC/
60 V DC

4

15,2

SAL-8S-FSW3-X15

42-01422

4

50 V AC/
60 V DC

4

15,2

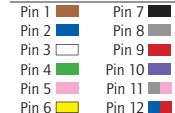
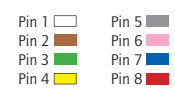
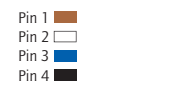
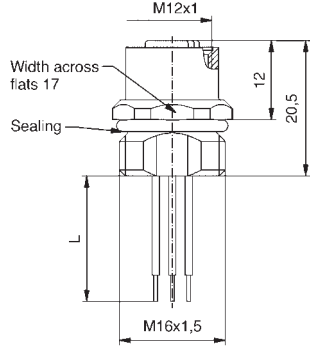
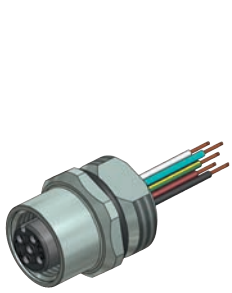
SAL-8S-FSW4-X15

42-01430

M12x1 SOCKETS

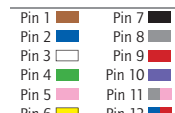
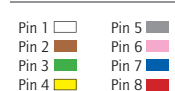
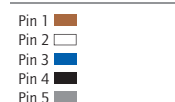
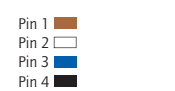
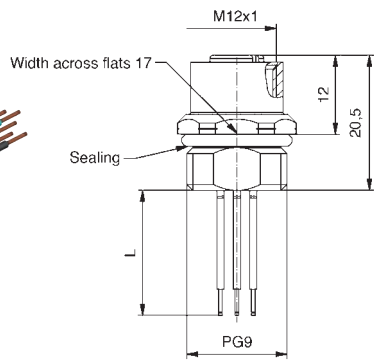
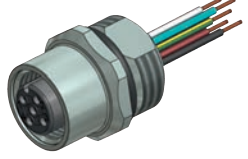
Front panel mounting, wire termination

Female connector, M16x1.5 thread



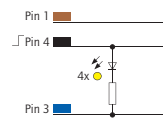
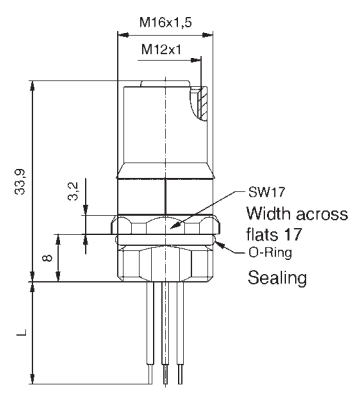
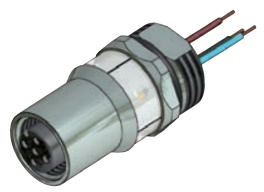
Number of poles	Coding	Rated voltage [V]	Current rating [A]	Wire material	Wire cross section [AWG]	Wire length = L [m]	Description	Part No.
4	A	250	4	PVC	24	0,5	SAL-12-FK4-0,5	43-01000
5	A	60	4	PVC	24	0,5	SAL-12-FK5-0,5	43-01001
5	A	60	4	PVC	24	0,5	SAL-12-FK5.1-0,5	43-01045
8	A	30	2	PVC	24	0,5	SAL-12-FK8-0,5	43-01002
12	A	30	1,5	PVC	26	0,5	SAL-12-FK12-0,5	43-01331

Female connector, PG9 thread



4	A	250	4	PVC	24	0,5	SAL-12-FK4-0,5-9	43-01073
5	A	60	4	PVC	24	0,5	SAL-12-FK5-0,5-9	43-01075
5	A	60	4	PVC	24	0,5	SAL-12-FK5.1-0,5-9	43-01074
8	A	30	2	PVC	24	0,5	SAL-12-FK8-0,5-9	43-01097
12	A	30	1,5	PVC	26	0,5	SAL-12-FK12-0,5-9	43-01345

Female connector with LED, M16x1.5 thread

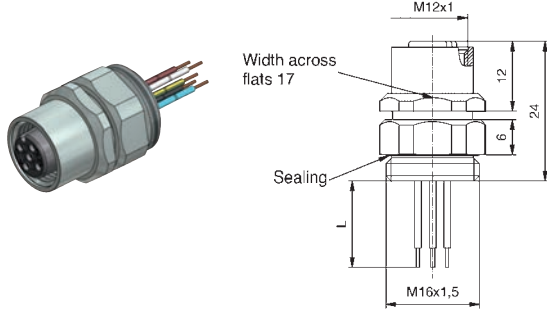


3	A	10-30	4	PVC	22	0,5	SAL-12-FK3-4L-0,5	43-01867
---	---	-------	---	-----	----	-----	-------------------	----------

M12x1 SOCKETS

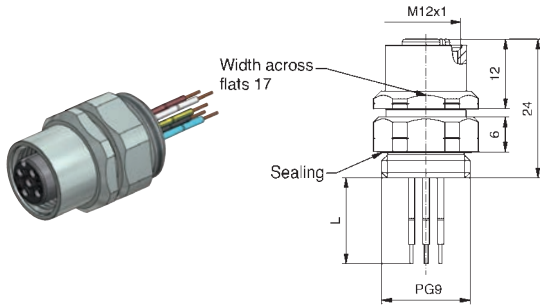
Front panel mounting, wire termination

Female connector positioning possible, M16x1.5 thread



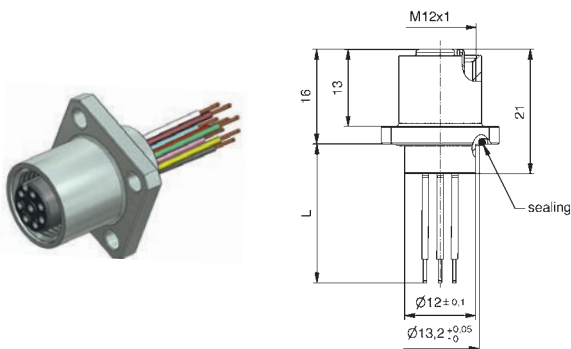
Contact assignment	Number of poles	Coding	Rated voltage [V]	Current rating [A]	Wire material	Wire cross section [AWG]	Wire length = L [m]	Description	Part No.
Pin 1 Pin 2 Pin 3 Pin 4	4	A	250	4	PVC	24	0,5	SAL-12-FKP4-0,5	43-01006
Pin 1 Pin 2 Pin 3 Pin 4 Pin 5	5	A	60	4	PVC	24	0,5	SAL-12-FKP5-0,5	43-01007
Pin 1 Pin 2 Pin 3 Pin 4 Pin 5	5	A	60	4	PVC	24	0,5	SAL-12-FKP5.1-0,5	43-01053
Pin 1 Pin 2 Pin 3 Pin 4 Pin 5 Pin 6 Pin 7 Pin 8	8	A	30	2	PVC	24	0,5	SAL-12-FKP8-0,5	43-01008
Pin 1 Pin 2 Pin 3 Pin 4 Pin 5 Pin 6 Pin 7 Pin 8 Pin 9 Pin 10 Pin 11 Pin 12	12	A	30	1,5	PVC	26	0,5	SAL-12-FKP12-0,5	43-01341

Female connector positioning possible, PG9 thread



Pin 1 Pin 2 Pin 3 Pin 4	4	A	250	4	PVC	24	0,5	SAL-12-FKP4-0,5-9	43-01091
Pin 1 Pin 2 Pin 3 Pin 4 Pin 5	5	A	60	4	PVC	24	0,5	SAL-12-FKP5-0,5-9	43-01093
Pin 1 Pin 2 Pin 3 Pin 4 Pin 5	5	A	60	4	PVC	24	0,5	SAL-12-FKP5.1-0,5-9	43-01092
Pin 1 Pin 2 Pin 3 Pin 4 Pin 5 Pin 6 Pin 7 Pin 8	8	A	30	2	PVC	24	0,5	SAL-12-FKP8-0,5-9	43-01101
Pin 1 Pin 2 Pin 3 Pin 4 Pin 5 Pin 6 Pin 7 Pin 8 Pin 9 Pin 10 Pin 11 Pin 12	12	A	30	1,5	PVC	26	0,5	SAL-12-FKP12-0,5-9	43-01347

Female connector, square flange 20 mm



Pin 1 Pin 2 Pin 3 Pin 4	4	A	250	4	PVC	24	0,5	SAL-12-FKV04-0,5-20	43-02084
Pin 1 Pin 2 Pin 3 Pin 4 Pin 5	5	A	60	4	PVC	24	0,5	SAL-12-FKV05-0,5-20	43-02085
Pin 1 Pin 2 Pin 3 Pin 4 Pin 5	5	A	60	4	PVC	24	0,5	SAL-12-FKV05.1-0,5-20	43-02087
Pin 1 Pin 2 Pin 3 Pin 4 Pin 5 Pin 6 Pin 7 Pin 8	8	A	30	2	PVC	24	0,5	SAL-12-FKV08-0,5-20	43-02086
Pin 1 Pin 2 Pin 3 Pin 4 Pin 5 Pin 6 Pin 7 Pin 8 Pin 9 Pin 10 Pin 11 Pin 12	12	A	30	1,5	PVC	26	0,5	SAL-12-FKV12-0,5-20	43-02088

M12x1 SOCKETS

Front panel mounting, wire termination

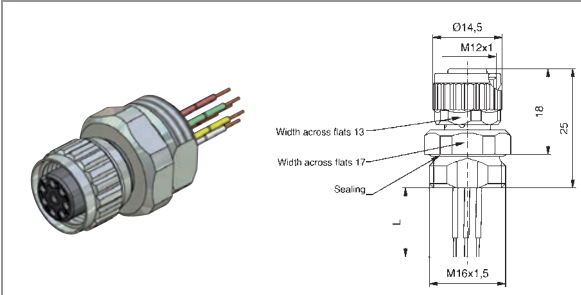
Female connector, coupling nut turnable, M16x1.5 thread

Contact assignment

Number of poles	Coding	Rated voltage [V]	Current rating [A]	Wire material	Wire cross section [AWG]	Wire length = L [m]
4	A	250	4	PVC	24	0,05
5	A	60	4	PVC	24	0,05
8	A	30	2	PVC	24	0,05

Description

Part No.

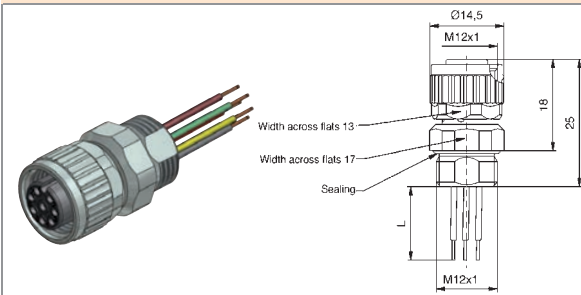


Pin 1	Pin 5
Pin 2	Pin 6
Pin 3	Pin 7
Pin 4	Pin 8

SAL-12-FKD4-0,05
SAL-12-FKD5-0,05
SAL-12-FKD8-0,05

43-01378
43-01381
43-01492

Female connector, coupling nut turnable, M12x1 thread



Pin 1	Pin 5
Pin 2	Pin 6
Pin 3	Pin 7
Pin 4	Pin 8

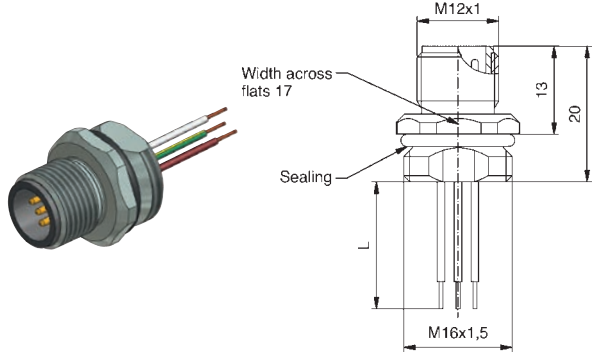
SAL-12-FKD4-0,05-12
SAL-12-FKD5-0,05-12
SAL-12-FKD8-0,05-12

43-01493
43-01494
43-01495

M12x1 SOCKETS

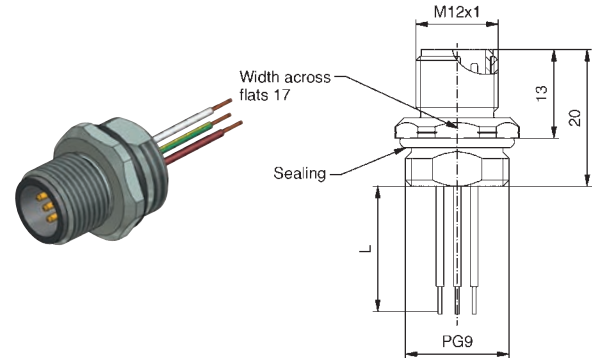
Front panel mounting, wire termination

Male connector, M16x1.5 thread



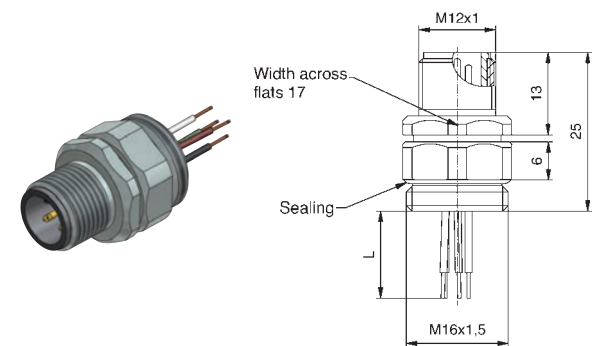
Contact assignment	Number of poles	Coding	Rated voltage [V]	Current rating [A]	Wire material	Wire cross section [AWG]	Wire length = L [m]	Description	Part No.
Pin 1 Pin 2 Pin 3 Pin 4	4	A	250	4	PVC	24	0,5	SAL-12-FS4-0,5	43-01009
Pin 1 Pin 2 Pin 3 Pin 4 Pin 5	5	A	60	4	PVC	24	0,5	SAL-12-FS5-0,5	43-01010
Pin 1 Pin 2 Pin 3 Pin 4 Pin 5	5	A	60	4	PVC	24	0,5	SAL-12-FS5.1-0,5	43-01049
Pin 1 Pin 2 Pin 3 Pin 4 Pin 5 Pin 6 Pin 7 Pin 8	8	A	30	2	PVC	24	0,5	SAL-12-FS8-0,5	43-01011
Pin 1 Pin 2 Pin 3 Pin 4 Pin 5 Pin 6 Pin 7 Pin 8 Pin 9 Pin 10 Pin 11 Pin 12	12	A	30	1,5	PVC	26	0,5	SAL-12-FS12-0,5	43-01330

Male connector, PG9 thread



Pin 1 Pin 2 Pin 3 Pin 4	4	A	250	4	PVC	24	0,5	SAL-12-FS4-0,5-9	43-01082
Pin 1 Pin 2 Pin 3 Pin 4 Pin 5	5	A	60	4	PVC	24	0,5	SAL-12-FS5-0,5-9	43-01084
Pin 1 Pin 2 Pin 3 Pin 4 Pin 5	5	A	60	4	PVC	24	0,5	SAL-12-FS5.1-0,5-9	43-01083
Pin 1 Pin 2 Pin 3 Pin 4 Pin 5 Pin 6 Pin 7 Pin 8	8	A	30	2	PVC	24	0,5	SAL-12-FS8-0,5-9	43-01099
Pin 1 Pin 2 Pin 3 Pin 4 Pin 5 Pin 6 Pin 7 Pin 8 Pin 9 Pin 10 Pin 11 Pin 12	12	A	30	1,5	PVC	26	0,5	SAL-12-FS12-0,5-9	43-01346

Male connector positioning possible, M16x1.5 thread

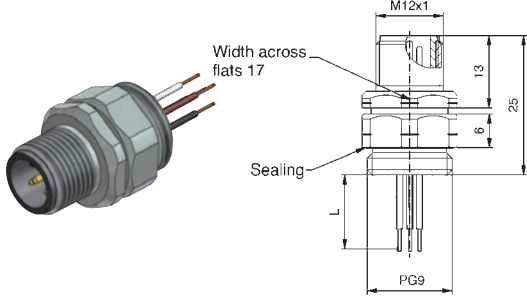


Pin 1 Pin 2 Pin 3 Pin 4	4	A	250	4	PVC	24	0,5	SAL-12-FSP4-0,5	43-01015
Pin 1 Pin 2 Pin 3 Pin 4 Pin 5	5	A	60	4	PVC	24	0,5	SAL-12-FSP5-0,5	43-01016
Pin 1 Pin 2 Pin 3 Pin 4 Pin 5	5	A	60	4	PVC	24	0,5	SAL-12-FSP5.1-0,5	43-01054
Pin 1 Pin 2 Pin 3 Pin 4 Pin 5 Pin 6 Pin 7 Pin 8	8	A	30	2	PVC	24	0,5	SAL-12-FSP8-0,5	43-01017
Pin 1 Pin 2 Pin 3 Pin 4 Pin 5 Pin 6 Pin 7 Pin 8 Pin 9 Pin 10 Pin 11 Pin 12	12	A	30	1,5	PVC	26	0,5	SAL-12-FSP12-0,5	43-01342

M12x1 SOCKETS

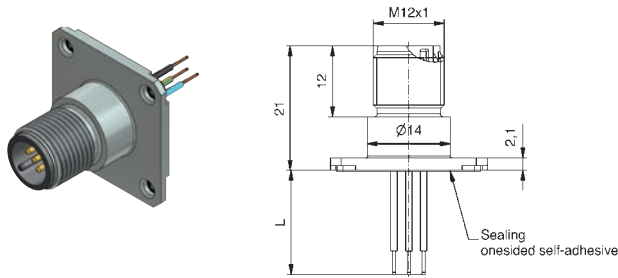
Front panel mounting, wire termination

Male connector positioning possible, PG9 thread



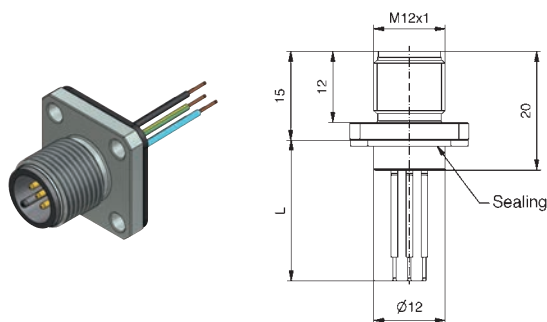
Contact assignment	Number of poles	Coding	Rated voltage [V]	Current rating [A]	Wire material	Wire cross section [AWG]	Wire length = L [m]	Description	Part No.
Pin 1 Pin 2 Pin 3 Pin 4	4	A	250	4	PVC	24	0,5	SAL-12-FSP4-0,5-9	43-01094
Pin 1 Pin 2 Pin 3 Pin 4 Pin 5	5	A	60	4	PVC	24	0,5	SAL-12-FSP5-0,5-9	43-01096
Pin 1 Pin 2 Pin 3 Pin 4 Pin 5	5	A	60	4	PVC	24	0,5	SAL-12-FSP5.1-0,5-9	43-01095
Pin 1 Pin 2 Pin 3 Pin 4 Pin 5 Pin 6 Pin 7 Pin 8	8	A	30	2	PVC	24	0,5	SAL-12-FSP8-0,5-9	43-01102
Pin 1 Pin 2 Pin 3 Pin 4 Pin 5 Pin 6 Pin 7 Pin 8 Pin 9 Pin 10 Pin 11 Pin 12	12	A	30	1,5	PVC	26	0,5	SAL-12-FSP12-0,5-9	43-01348

Male connector, square flange 26 mm



Pin 1 Pin 2 Pin 3 Pin 4	4	A	250	4	PVC	24	0,5	SAL-12-FSV4-0,5-26	43-01351
Pin 1 Pin 2 Pin 3 Pin 4 Pin 5	5	A	60	4	PVC	24	0,5	SAL-12-FSV5-0,5-26	43-01352
Pin 1 Pin 2 Pin 3 Pin 4 Pin 5 Pin 6 Pin 7 Pin 8	8	A	30	2	PVC	24	0,5	SAL-12-FSV8-0,5-26	43-01353
Pin 1 Pin 2 Pin 3 Pin 4 Pin 5 Pin 6 Pin 7 Pin 8 Pin 9 Pin 10 Pin 11 Pin 12	12	A	30	1,5	PVC	26	0,5	SAL-12-FSV12-0,5-26	43-01354

Male connector, square flange 20 mm

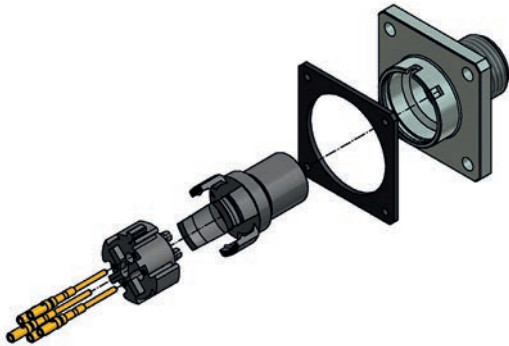
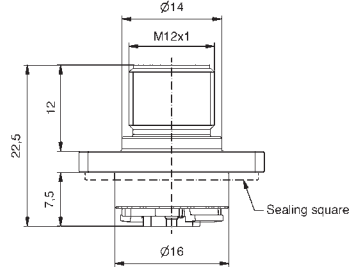


Pin 1 Pin 2 Pin 3 Pin 4	4	A	250	4	PVC	24	0,5	SAL-12-FSV4-0,5-20	43-01355
Pin 1 Pin 2 Pin 3 Pin 4 Pin 5	5	A	60	4	PVC	24	0,5	SAL-12-FSV5-0,5-20	43-01356
Pin 1 Pin 2 Pin 3 Pin 4 Pin 5 Pin 6 Pin 7 Pin 8	8	A	30	2	PVC	24	0,5	SAL-12-FSV8-0,5-20	43-01357
Pin 1 Pin 2 Pin 3 Pin 4 Pin 5 Pin 6 Pin 7 Pin 8 Pin 9 Pin 10 Pin 11 Pin 12	12	A	30	1,5	PVC	26	0,5	SAL-12-FSV12-0,5-20	43-01358

M12x1 SOCKETS FIELD ATTACHABLE

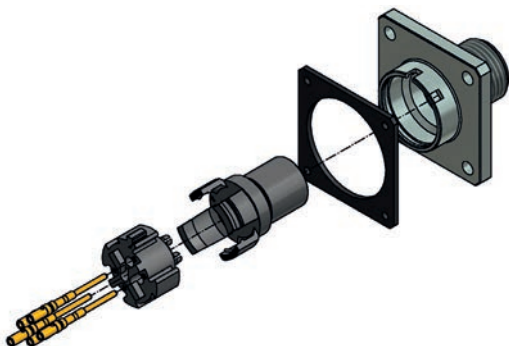
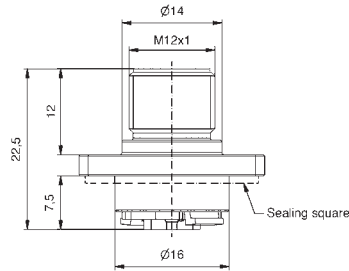
Front panel mounting, wire termination

Male connector, square flange 26 mm, IP67/IP20



Number of poles	Coding	Rated voltage [V]	Current rating [A]	Wire cross section [AWG]	Degree of protection	Description	Part No.
4	A	250	4	AWG22 up to max. AWG20	IP 67 *	SAL-12-FSVC4-26	43-02690
5	A	60	4	AWG22 up to max. AWG20	IP 67 *	SAL-12-FSVC5-26	43-02611
5	A	60	4	AWG22 up to max. AWG20	IP 67 *	SAL-12-FSVC5.1-26	43-02631
8	A	30	2	AWG24 up to max. AWG22	IP 67 *	SAL-12-FSVC8-26	43-02612

Male connector, square flange 26 mm, IP67/IP65



4	A	250	4	AWG22 up to max. AWG20	IP65/ IP67 **	SAL-12-FSVC4-26/ A1065	43-02743
5	A	60	4	AWG22 up to max. AWG20	IP65/ IP67 **	SAL-12-FSVC5-26/ A1065	43-02744
5	A	60	4	AWG22 up to max. AWG20	IP65/ IP67 **	SAL-12-FSVC5.1-26/ A1065	43-02745
8	A	30	2	AWG24 up to max. AWG22	IP65/ IP67 **	SAL-12-FSVC8-26/ A1065	43-02746

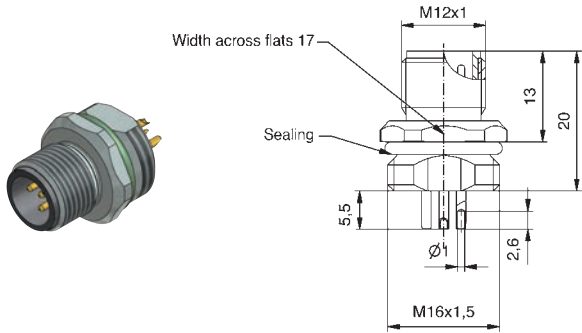
* in mated condition

** in unmated condition IP65; in mated condition IP67

M12x1 SOCKETS

Front panel mounting, solder termination/solder cup

Male connector, M16x1.5 thread



Number of poles

Coding

Rated voltage [V]

Current rating [A]

Description

Part No.

4

A

250

4

SAL-12-FS4-L

43-02294

5

A

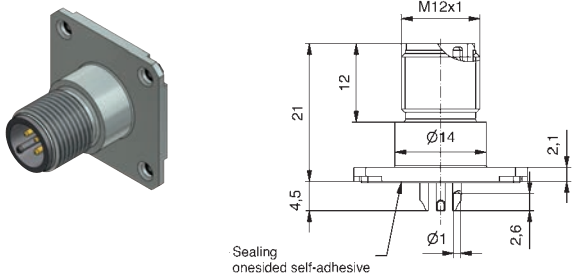
60

4

SAL-12-FS5.1-L

43-02295

Male connector, square flange 26 mm



4

A

250

4

SAL-12-FSV4L-26

43-02303

5

A

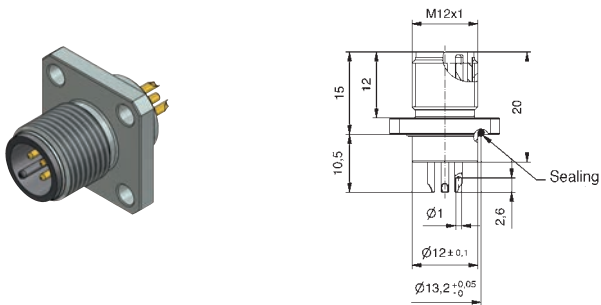
60

4

SAL-12-FSV5.1-L-26

43-02304

Male connector, square flange 20 mm



4

A

250

4

SAL-12-FSV04-L-20

43-02300

5

A

60

4

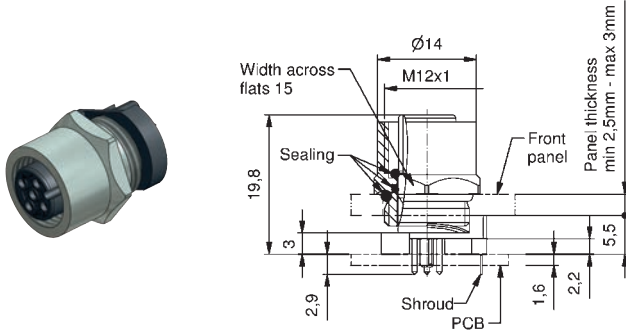
SAL-2-FSV05.1-L-20

43-02301

M12x1 SOCKETS

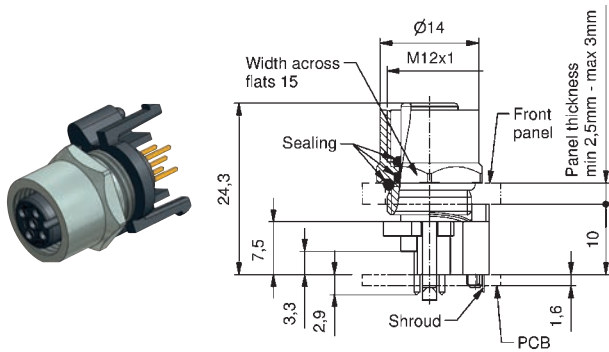
Front panel mounting, dip solder termination

Two-piece female connector, direct circuit board termination, installation height 5.5 mm



Number of poles	Coding	Rated voltage [V]	Current rating [A]	Installation height [mm]	Description	Part No.
4	A	250	4	5,5	SAL-12-FK4-X5,5	43-01178
4	A	250	4	5,5	SAL-12S-FK4-X5,5	43-01179 with shroud
5	A	60	4	5,5	SAL-12-FK5-X5,5	43-01180
5	A	60	4	5,5	SAL-12S-FK5-X5,5	43-01181 with shroud

Two-piece female connector, direct circuit board termination, installation height 10 mm


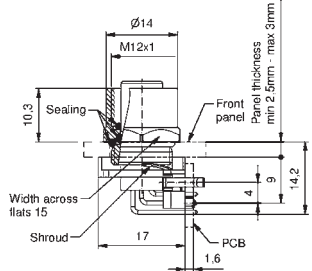

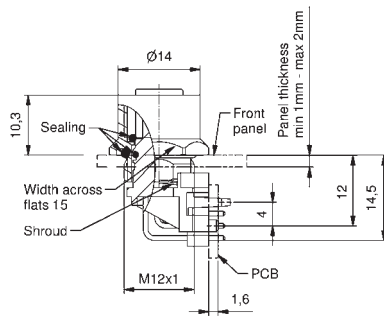
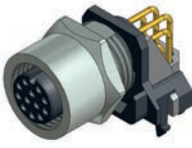
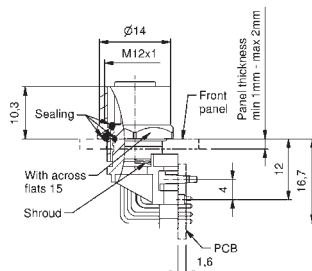


4	A	250	4	10	SAL-12-FK4-X10	43-01162
4	A	250	4	10	SAL-12S-FK4-X10	43-01163 with shroud
5	A	60	4	10	SAL-12-FK5-X10	43-01164
5	A	60	4	10	SAL-12S-FK5-X10	43-01165 with shroud
8	A	30	2	10	SAL-12-FK8-X10	43-01329
8	A	30	2	10	SAL-12S-FK8-X10	43-01332 with shroud

M12x1 SOCKETS

Front panel mounting, dip solder termination

Two-piece female connector, angled, direct circuit board termination

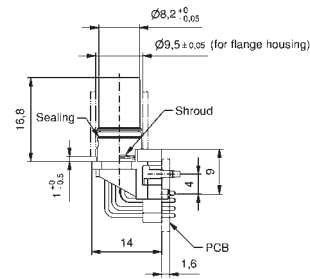
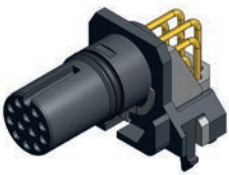
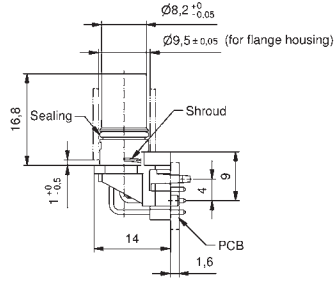
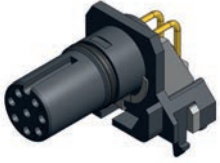
		Number of poles	Coding	Rated voltage [V]	Current rating [A]	Description	Part No.
		4	A	250	4	SAL-12-FKW4	43-01200
		4	A	250	4	SAL-12S-FKW4	43-01201 with shroud
		5	A	60	4	SAL-12-FKW5	43-01202
		5	A	60	4	SAL-12S-FKW5	43-01203 with shroud
		8	A	30	2	SAL-12-FKW8	43-02638
		8	A	30	2	SAL-12S-FKW8	43-02639 with shroud
		12	A	30	1,5	SAL-12-FKW12	43-02640
		12	A	30	1,5	SAL-12S-FKW12	43-02641 with shroud

M12x1 SOCKETS

Insulation body, dip solder termination

Female connector

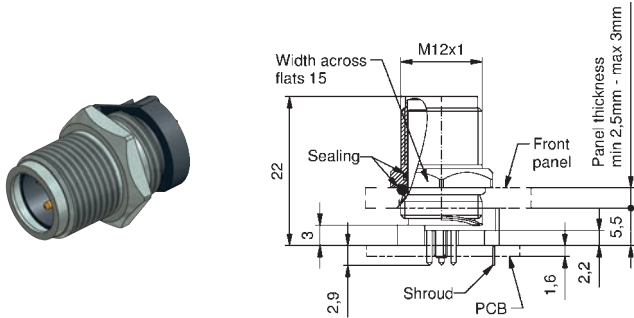
Number of poles	Coding	Rated voltage [V]	Current rating [A]	Description	Part No.
8	A	30	2	SAL-12-IKW8	43-02796
8	A	30	2	SAL-12S-IKW8	43-02797 with shroud
12	A	30	1,5	SAL-12-IKW12	43-02798
12	A	30	1,5	SAL-12S-IKW12	43-02799 with shroud



M12x1 SOCKETS

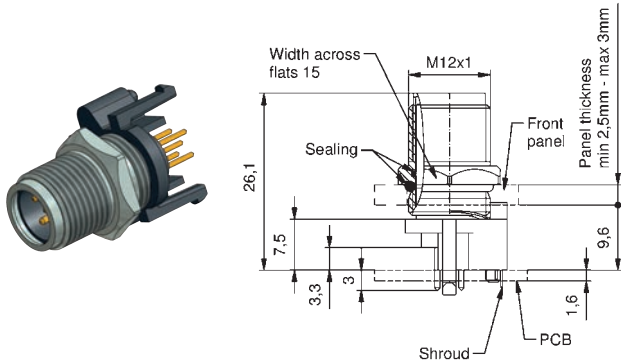
Front panel mounting, dip solder termination

Two-piece male connector, direct circuit board termination, installation height 5.5 mm



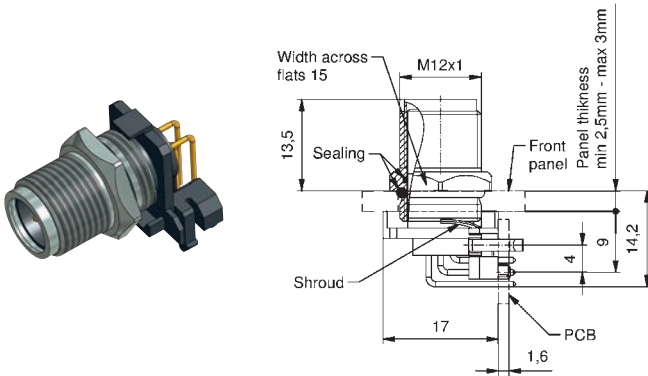
Number of poles	Coding	Current rating [A]	Current rating [A]	Installation height [mm]	Description	Part No.
4	A	250	4	5,5	SAL-12-FS4-X5,5	43-01182
4	A	250	4	5,5	SAL-12S-FS4-X5,5	43-01183 with shroud
5	A	60	4	5,5	SAL-12-FS5.1-X5,5	43-01184
5	A	60	4	5,5	SAL-12S-FS5.1-X5,5	43-01185 with shroud

Two-piece male connector, direct circuit board termination, installation height 10 mm



4	A	250	4	10	SAL-12-FS4-X10	43-01166
4	A	250	4	10	SAL-12S-FS4-X10	43-01167 with shroud
5	A	60	4	10	SAL-12-FS5.1-X10	43-01168
5	A	60	4	10	SAL-12S-FS5.1-X10	43-01169 with shroud

Two-piece male connector, angled, direct circuit board termination



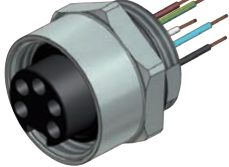
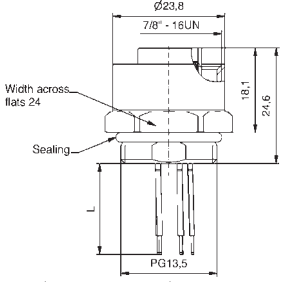
4	A	250	4		SAL-12-FSW4	43-01208
4	A	250	4		SAL-12S-FSW4	43-01209 with shroud
5	A	60	4		SAL-12-FSW5.1	43-01210
5	A	60	4		SAL-12S-FSW5.1	43-01211 with shroud

7/8" SOCKETS

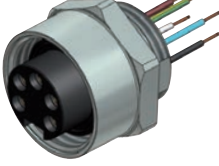
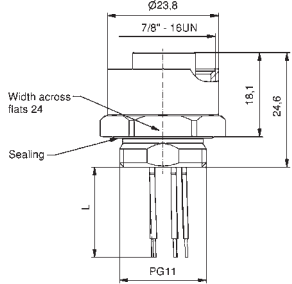
Front panel mounting, wire termination, AWG 18

Female connector, PG13.5 thread, AWG 18

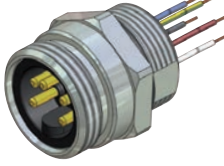
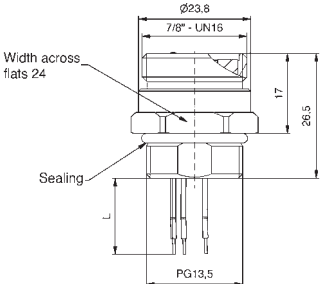
Contact assignment

	Number of poles	Coding	Rated voltage [V]	Current rating [A]	Wire material	Wire section [AWG]	Wire length = L [m]	Description	Part No.
  <ul style="list-style-type: none"> PE Pin 2 Pin 3 	2+PE	A	300	8	PVC	18	0,5	SAL-7/8-FK2PE-0,5	41-40006
<ul style="list-style-type: none"> Pin 1 Pin 2 Pin 3 Pin 4 	4	A	300	8	PVC	18	0,5	SAL-7/8-FK4-0,5	41-40007
<ul style="list-style-type: none"> Pin 1 Pin 2 PE Pin 4 Pin 5 	4+PE	A	300	8	PVC	18	0,5	SAL-7/8-FK4PE-0,5	41-40008

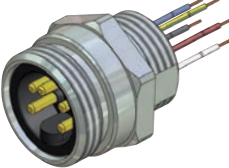
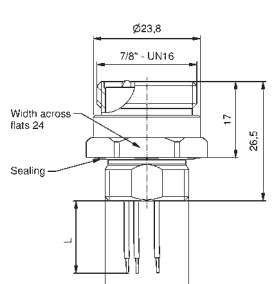
Female connector, PG11 thread, AWG 18

  <ul style="list-style-type: none"> PE Pin 2 Pin 3 	2+PE	A	300	8	PVC	18	0,5	SAL-7/8-FK2PE-0,5-11	41-40030
<ul style="list-style-type: none"> Pin 1 Pin 2 Pin 3 Pin 4 	4	A	300	8	PVC	18	0,5	SAL-7/8-FK4-0,5-11	41-40031
<ul style="list-style-type: none"> Pin 1 Pin 2 PE Pin 4 Pin 5 	4+PE	A	300	8	PVC	18	0,5	SAL-7/8-FK4PE-0,5-11	41-40032

Male connector, PG13.5 thread, AWG 18

  <ul style="list-style-type: none"> PE Pin 2 Pin 3 	2+PE	A	300	8	PVC	18	0,5	SAL-7/8-FS2PE-0,5	41-40000
<ul style="list-style-type: none"> Pin 1 Pin 2 Pin 3 Pin 4 	4	A	300	8	PVC	18	0,5	SAL-7/8-FS4-0,5	41-40001
<ul style="list-style-type: none"> Pin 1 Pin 2 PE Pin 4 Pin 5 	4+PE	A	300	8	PVC	18	0,5	SAL-7/8-FS4PE-0,5	41-40002

Male connector, PG11 thread, AWG 18

  <ul style="list-style-type: none"> PE Pin 2 Pin 3 	2+PE	A	300	8	PVC	18	0,5	SAL-7/8-FS2PE-0,5-11	41-40024
<ul style="list-style-type: none"> Pin 1 Pin 2 Pin 3 Pin 4 	4	A	300	8	PVC	18	0,5	SAL-7/8-FS4-0,5-11	41-40025
<ul style="list-style-type: none"> Pin 1 Pin 2 PE Pin 4 Pin 5 	4+PE	A	300	8	PVC	18	0,5	SAL-7/8-FS4PE-0,5-11	41-40026

7/8" SOCKETS

Front panel mounting, wire termination, AWG 16

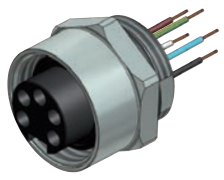
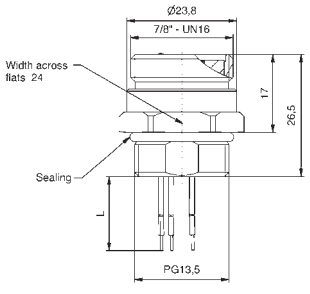









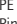


Female connector, PG13.5 thread, AWG 16

Contact assignment

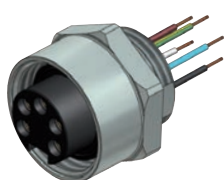
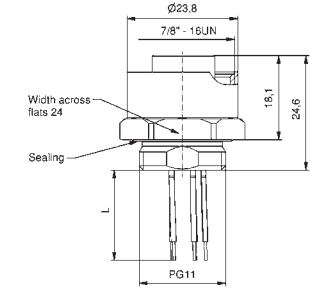












Number of poles	Coding	Rated voltage [V]	Current rating [A]	Wire material	Wire cross section [AWG]	Wire length = L [m]
-----------------	--------	-------------------	--------------------	---------------	--------------------------	---------------------

Description

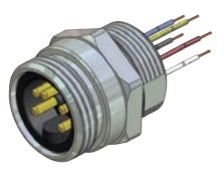
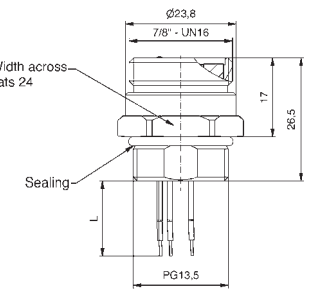












Part No.

 	PE  Pin 2  Pin 3 	2+PE	A	300	12	PVC	16	0,5	SAL-7/8-FK2PE-0,5/150	41-40015
	Pin 1  Pin 2  Pin 3  Pin 4 	4	A	300	12	PVC	16	0,5	SAL-7/8-FK4-0,5/150	41-40016
	Pin 1  Pin 2  PE  Pin 4  Pin 5 	4+PE	A	300	12	PVC	16	0,5	SAL-7/8-FK4PE-0,5/150	41-40017

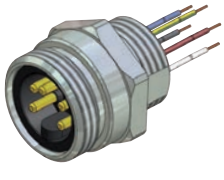
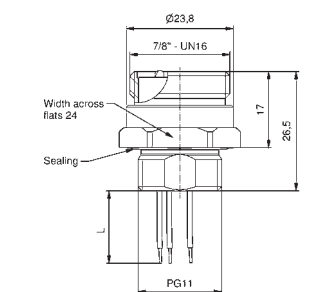












Female connector, PG11 thread, AWG 16

 	PE  Pin 2  Pin 3 	2+PE	A	300	12	PVC	16	0,5	SAL-7/8-FK2PE-0,5/150-11	41-40039
	Pin 1  Pin 2  Pin 3  Pin 4 	4	A	300	12	PVC	16	0,5	SAL-7/8-FK4-0,5/150-11	41-40040
	Pin 1  Pin 2  PE  Pin 4  Pin 5 	4+PE	A	300	12	PVC	16	0,5	SAL-7/8-FK4PE-0,5/150-11	41-40041

Male connector, PG13.5 thread, AWG 16

 	PE  Pin 2  Pin 3 	2+PE	A	300	12	PVC	16	0,5	SAL-7/8-FS2PE-0,5/150	41-40009
	Pin 1  Pin 2  Pin 3  Pin 4 	4	A	300	12	PVC	16	0,5	SAL-7/8-FS4-0,5/150	41-40010
	Pin 1  Pin 2  PE  Pin 4  Pin 5 	4+PE	A	300	12	PVC	16	0,5	SAL-7/8-FS4PE-0,5/150	41-40011

Male connector, PG11 thread, AWG 16

 	PE  Pin 2  Pin 3 	2+PE	A	300	12	PVC	16	0,5	SAL-7/8-FS2PE-0,5/150-11	41-40033
	Pin 1  Pin 2  Pin 3  Pin 4 	4	A	300	12	PVC	16	0,5	SAL-7/8-FS4-0,5/150-11	41-40034
	Pin 1  Pin 2  PE  Pin 4  Pin 5 	4+PE	A	300	12	PVC	16	0,5	SAL-7/8-FS4PE-0,5/150-11	41-40035

7/8" SOCKETS

Front panel mounting, wire termination, AWG 14

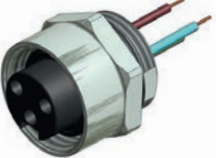
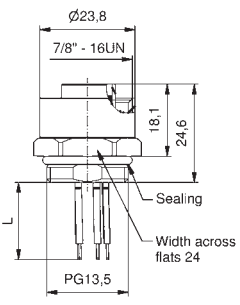




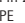



Female connector, PG13.5 thread, AWG 14

Contact assignment

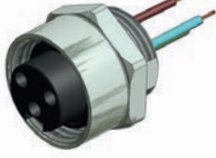
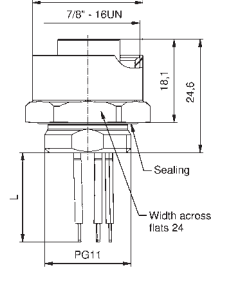
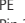
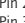
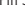
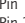

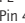


Number of poles	Coding	Rated voltage [V]	Current rating [A]	Wire material	Wire cross section [AWG]	Wire length = L [m]
-----------------	--------	-------------------	--------------------	---------------	--------------------------	---------------------

Description

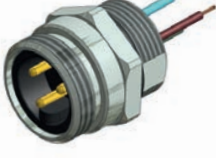
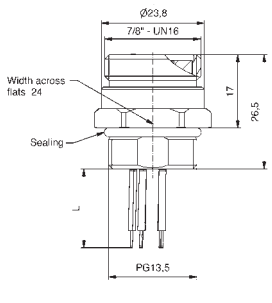




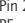
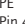
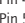
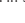
Part No.

 	<p>PE </p> <p>Pin 2 </p> <p>Pin 3 </p>	2+PE	A	300	16	PVC	14	0,5	SAL-7/8-FK2PE-0,5/250	41-40115
	<p>Pin 1 </p> <p>Pin 2 </p> <p>PE </p> <p>Pin 4 </p> <p>Pin 5 </p>	4+PE	A	300	16	PVC	14	0,5	SAL-7/8-FK4PE-0,5/250	41-40116

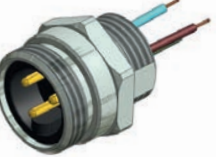
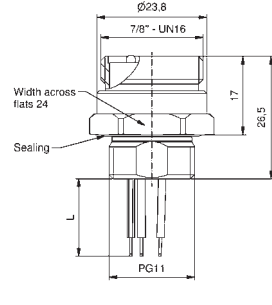





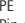
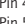

Female connector, PG11 thread, AWG 14

 	<p>PE </p> <p>Pin 2 </p> <p>Pin 3 </p>	2+PE	A	300	16	PVC	14	0,5	SAL-7/8-FK2PE-0,5/250-11	41-40117
	<p>Pin 1 </p> <p>Pin 2 </p> <p>PE </p> <p>Pin 4 </p> <p>Pin 5 </p>	4+PE	A	300	16	PVC	14	0,5	SAL-7/8-FK4PE-0,5/250-11	41-40118

Male connector, PG13.5 thread, AWG 14

 	<p>PE </p> <p>Pin 2 </p> <p>Pin 3 </p>	2+PE	A	300	16	PVC	14	0,5	SAL-7/8-FS2PE-0,5/250	41-40119
	<p>Pin 1 </p> <p>Pin 2 </p> <p>PE </p> <p>Pin 4 </p> <p>Pin 5 </p>	4+PE	A	300	16	PVC	14	0,5	SAL-7/8-FS4PE-0,5/250	41-40120

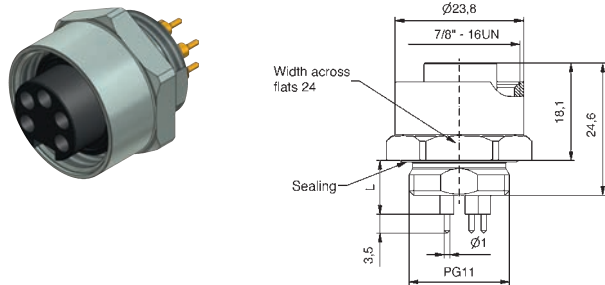
Male connector, PG11 thread, AWG 14

 	<p>PE </p> <p>Pin 2 </p> <p>Pin 3 </p>	2+PE	A	300	16	PVC	14	0,5	SAL-7/8-FS2PE-0,5/250-11	41-40121
	<p>Pin 1 </p> <p>Pin 2 </p> <p>PE </p> <p>Pin 4 </p> <p>Pin 5 </p>	4+PE	A	300	16	PVC	14	0,5	SAL-7/8-FS4PE-0,5/250-11	41-40122

7/8" SOCKETS

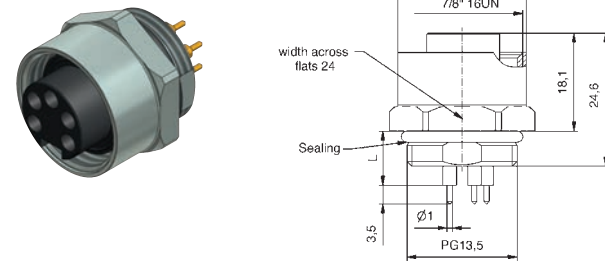
Front panel mounting, dip solder termination

Female connector, direct circuit board termination, PG11 thread



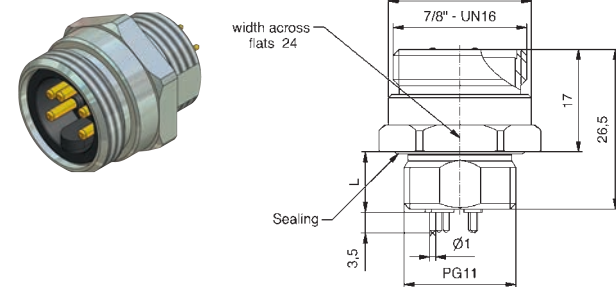
Number of poles	Coding	Rated voltage [V]	Current rating [A]	Installation height [mm]	Description	Part No.
2+PE	A	300	12	10	SAL-7/8-FK2PE-P10-11	41-40045
4	A	300	12	10	SAL-7/8-FK4-P10-11	41-40046
4+PE	A	300	12	10	SAL-7/8-FK4PE-P10-11	41-40047

Female connector, direct circuit board termination, PG13.5 thread



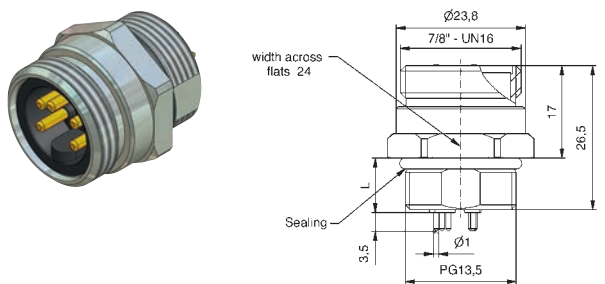
2+PE	A	300	12	10	SAL-7/8-FK2PE-P10	41-40021
4	A	300	12	10	SAL-7/8-FK4-P10	41-40022
4+PE	A	300	12	10	SAL-7/8-FK4PE-P10	41-40023

Male connector, direct circuit board termination, PG11 thread



2+PE	A	300	12	10	SAL-7/8-FS2PE-P10-11	41-40042
4	A	300	12	10	SAL-7/8-FS4-P10-11	41-40043
4+PE	A	300	12	10	SAL-7/8-FS4PE-P10-11	41-40044

Male connector, direct circuit board termination, PG13.5 thread

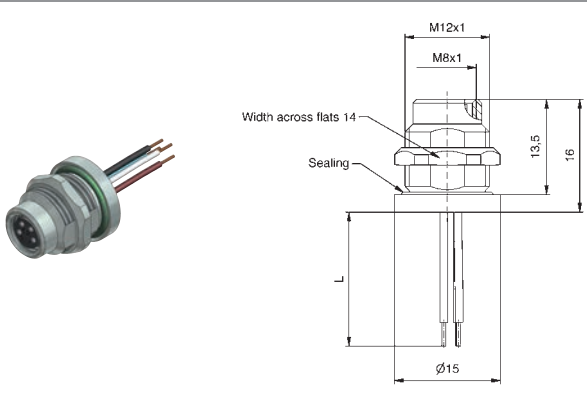


2+PE	A	300	12	10	SAL-7/8-FS2PE-P10	41-40018
4	A	300	12	10	SAL-7/8-FS4-P10	41-40019
4+PE	A	300	12	10	SAL-7/8-FS4PE-P10	41-40020

M8x1 SOCKETS

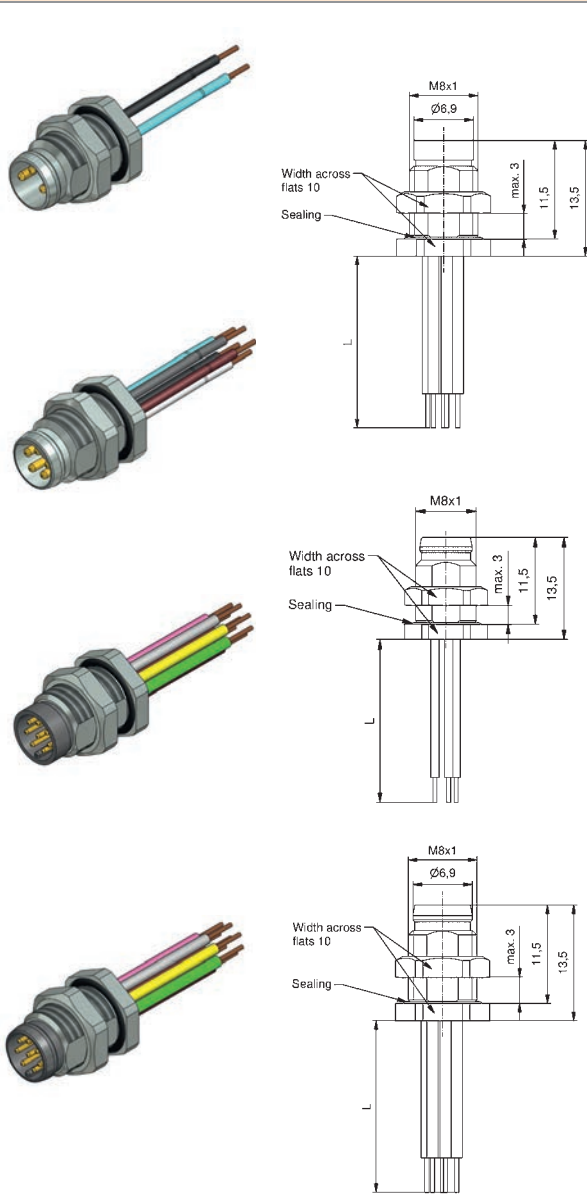
Back panel mounting, wire termination

Female connector, M12x1 thread



Contact assignment	Number of poles	Coding	Rated voltage [V]	Current rating [A]	Wire material	Wire cross section [AWG]	Wire length = L [m]	Description	Part No.
Pin 1 Pin 3 Pin 4	3		50 V AC/ 60 V DC	3	PVC	24	0,2	SAL-8-FKH3-0,2	42-01147
Pin 1 Pin 2 Pin 3 Pin 4	4		50 V AC/ 60 V DC	3	PVC	24	0,2	SAL-8-FKH4-0,2	42-01148
Pin 1 Pin 2 Pin 3 Pin 4 Pin 5	5	B	30	3	PVC	24	0,2	SAL-8B-FKH5.1-0,2	42-01149
Pin 1 Pin 2 Pin 3 Pin 4 Pin 5 Pin 6 Pin 7 Pin 8	8	A	30	1,5	PVC	26	0,2	SAL-8-FKH8-0,2	42-01150

Male connector, M8x1 thread

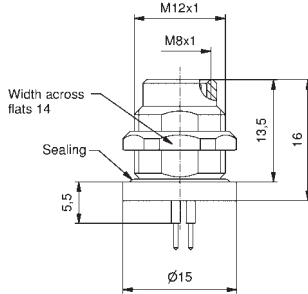


Pin 1 Pin 3 Pin 4	3		50 V AC/ 60 V DC	3	PVC	24	0,2	SAL-8-FSH3-0,2	42-01034
Pin 1 Pin 2 Pin 3 Pin 4	4		50 V AC/ 60 V DC	3	PVC	24	0,2	SAL-8-FSH4-0,2	42-01035
Pin 1 Pin 2 Pin 3 Pin 4 Pin 5	5	B	30	3	PVC	24	0,2	SAL-8B-FSH5.1-0,2	42-01102
Pin 1 Pin 2 Pin 3 Pin 4 Pin 5 Pin 6 Pin 7 Pin 8	8	A	30	1,5	PVC	26	0,2	SAL-8-FSH8-0,2	42-01167
Pin 1 Pin 2 Pin 3 Pin 4 Pin 5 Pin 6 Pin 7 Pin 8	8	A	30	1,5	PVC	26	0,2	SAL-8-FSHU8-0,2	42-01166

M8x1 SOCKETS

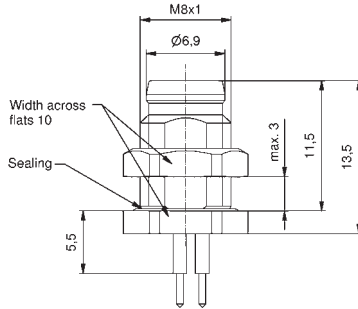
Back panel mounting, dip solder termination

Female connector, M12x1 thread



Number of poles	Coding	Rated voltage [V]	Current rating [A]	Installation height [mm]	Description	Part No.
3		50 V AC/ 60 V DC	3	5,5	SAL-8-FKH3-P5,5	42-01143
4		50 V AC/ 60 V DC	3	5,5	SAL-8-FKH4-P5,5	42-01144
5	B	30	3	5,5	SAL-8B-FKH5-P5,5	42-01145
8	A	30	1,5	5,5	SAL-8-FKH8-P5,5	42-01146

Male connector, M8x1 thread

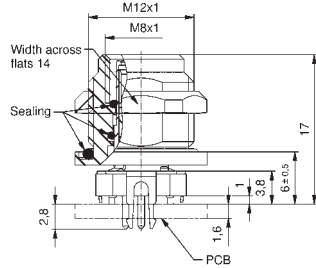


3		50 V AC/ 60 V DC	3	5,5	SAL-8-FSH3-P5,5	42-01107
4		50 V AC/ 60 V DC	3	5,5	SAL-8-FSH4-P5,5	42-01108
5	B	30	3	5,5	SAL-8B-FSH5.1-P5,5	42-01114
8	A	30	1,5	5,5	SAL-8-FS8-P5,5	42-01163
8	A	30	1,5	5,5	SAL-8-FS8U-P5,5	42-01162

M8x1 SOCKETS

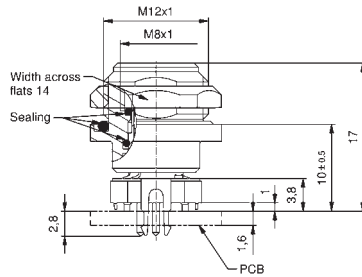
Back panel mounting, dip solder termination, shielded

Female connector axial, installation height 6 mm



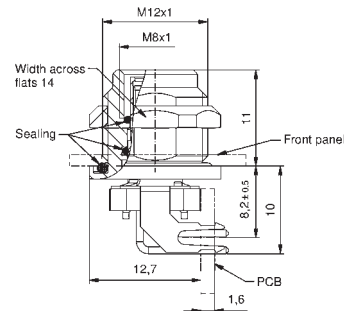
Number of poles	Coding	Rated voltage [V]	Current rating [A]	Installation height [mm]	Description	Part No.
3		50 V AC/ 60 V DC	4	6	SAL-8S-FKH3-X6	42-01359
4		50 V AC/ 60 V DC	4	6	SAL-8S-FKH4-X6	42-01367
5	B	30	4	6	SAL-8BS-FKH5-X6	42-01375
8	A	30	1,5	6	SAL-8S-FKH8-X6	42-01387

Female connector axial, installation height 10 mm



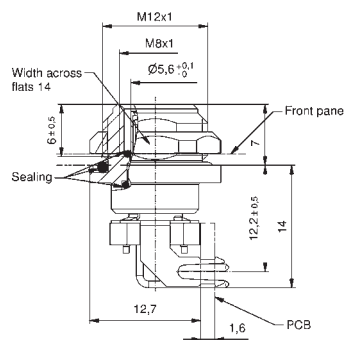
3		50 V AC/ 60 V DC	4	10	SAL-8S-FKH3-X10	42-01360
4		50 V AC/ 60 V DC	4	10	SAL-8S-FKH4-X10	42-01368
5	B	30	4	10	SAL-8BS-FKH5-X10	42-01376
8	A	30	1,5	10	SAL-8S-FKH8-X10	42-01388

Female connector angled, installation height 8.2 mm



3		50 V AC/ 60 V DC	4	8,2	SAL-8S-FKHW3-X8	42-01419
4		50 V AC/ 60 V DC	4	8,2	SAL-8S-FKHW4-X8	42-01427

Female connector angled, installation height 12.2 mm

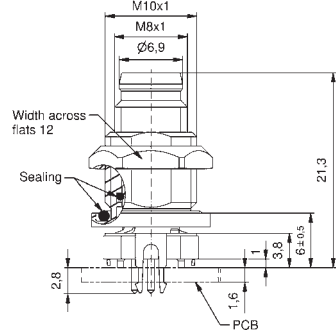


3		50 V AC/ 60 V DC	4	12,2	SAL-8S-FKHW3-X12	42-01420
4		50 V AC/ 60 V DC	4	12,2	SAL-8S-FKHW4-X12	42-01428

M8x1 SOCKETS

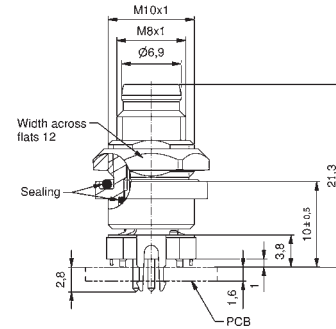
Back panel mounting, dip solder termination, shielded

Male connector axial , installation height 6 mm



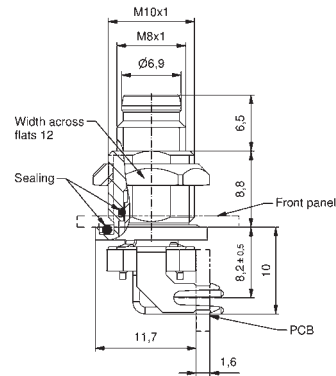
Number of poles	Coding	Rated voltage [V]	Current rating [A]	Installation height [mm]	Description	Part No.
3		50 V AC/ 60 V DC	4	6	SAL-8S-FSH3-X6	42-01363
4		50 V AC/ 60 V DC	4	6	SAL-8S-FSH4-X6	42-01371
5	B	30	4	6	SAL-8BS-FSH5.1-X6	42-01379
8	A	30	1,5	6	SAL-8S-FSH8-X6	42-01383

Male connector axial, installation height 10 mm



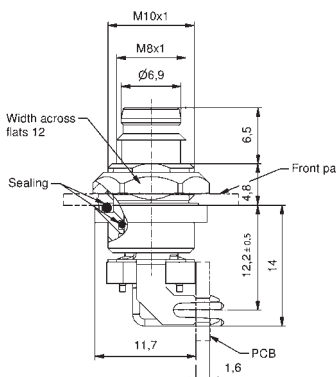
3		50 V AC/ 60 V DC	4	10	SAL-8S-FSH3-X10	42-01364
4		50 V AC/ 60 V DC	4	10	SAL-8S-FSH4-X10	42-01372
5	B	30	4	10	SAL-8BS-FSH5.1-X10	42-01380
8	A	30	1,5	10	SAL-8S-FSH8-X10	42-01384

Male connector angled, installation height 8.2 mm



3		50 V AC/ 60 V DC	4	8,2	SAL-8S-FSHW3-X8	42-01423
4		50 V AC/ 60 V DC	4	8,2	SAL-8S-FSHW4-X8	42-01431

Male connector angled, installation height 12.2 mm

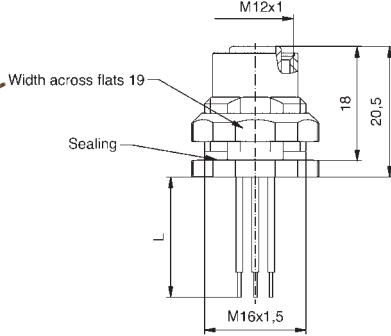
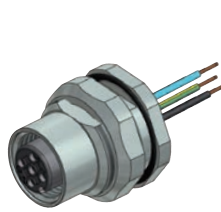


3		50 V AC/ 60 V DC	4	12,2	SAL-8S-FSHW3-X12	42-01424
4		50 V AC/ 60 V DC	4	12,2	SAL-8S-FSHW4-X12	42-01432

M12x1 SOCKETS

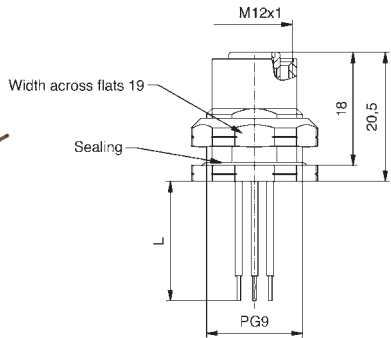
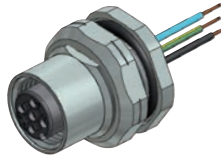
Back panel mounting, wire termination

Female connector, M16x1.5 thread



Contact assignment	Number of poles	Coding	Rated voltage [V]	Current rating [A]	Wire material	Wire cross section [AWG]	Wire length = L [m]	Description	Part No.
Pin 1 Pin 2 Pin 3 Pin 4	4	A	250	4	PVC	24	0,5	SAL-12-FKH4-0,5	43-01003
Pin 1 Pin 2 Pin 3 Pin 4 Pin 5	5	A	60	4	PVC	24	0,5	SAL-12-FKH5-0,5	43-01004
Pin 1 Pin 2 Pin 3 Pin 4 Pin 5	5	A	60	4	PVC	24	0,5	SAL-12-FKH5.1-0,5	43-01048
Pin 1 Pin 2 Pin 3 Pin 4 Pin 5 Pin 6 Pin 7 Pin 8	8	A	30	2	PVC	24	0,5	SAL-12-FKH8-0,5	43-01005
Pin 1 Pin 2 Pin 3 Pin 4 Pin 5 Pin 6 Pin 7 Pin 8 Pin 9 Pin 10 Pin 11 Pin 12	12	A	30	1,5	PVC	26	0,5	SAL-12-FKH12-0,5	43-01343

Female connector, PG9 thread

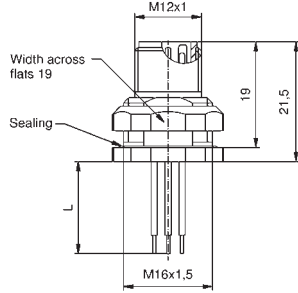
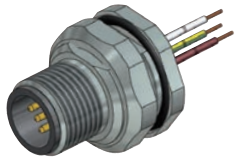


Pin 1 Pin 2 Pin 3 Pin 4	4	A	250	4	PVC	24	0,5	SAL-12-FKH4-0,5-9	43-01079
Pin 1 Pin 2 Pin 3 Pin 4 Pin 5	5	A	60	4	PVC	24	0,5	SAL-12-FKH5-0,5-9	43-01081
Pin 1 Pin 2 Pin 3 Pin 4 Pin 5	5	A	60	4	PVC	24	0,5	SAL-12-FKH5.1-0,5-9	43-01080
Pin 1 Pin 2 Pin 3 Pin 4 Pin 5 Pin 6 Pin 7 Pin 8	8	A	30	2	PVC	24	0,5	SAL-12-FKH8-0,5-9	43-01098
Pin 1 Pin 2 Pin 3 Pin 4 Pin 5 Pin 6 Pin 7 Pin 8 Pin 9 Pin 10 Pin 11 Pin 12	12	A	30	1,5	PVC	26	0,5	SAL-12-FKH12-0,5-9	43-01349

M12x1 SOCKETS

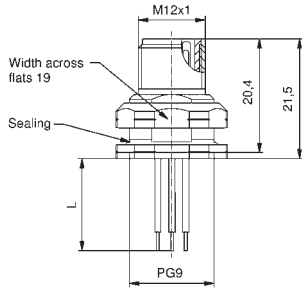
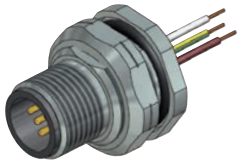
Back panel mounting, wire termination

Male connector, M16x1.5 thread



Contact assignment	Number of poles	Coding	Rated voltage [V]	Current rating [A]	Wire material	Wire cross section [AWG]	Wire length = L [m]	Description	Part No.
Pin 1 Pin 2 Pin 3 Pin 4	4	A	250	4	PVC	24	0,5	SAL-12-FSH4-0,5	43-01012
Pin 1 Pin 2 Pin 3 Pin 4 Pin 5	5	A	60	4	PVC	24	0,5	SAL-12-FSH5-0,5	43-01013
Pin 1 Pin 2 Pin 3 Pin 4 Pin 5	5	A	60	4	PVC	24	0,5	SAL-12-FSH5.1-0,5	43-01052
Pin 1 Pin 2 Pin 3 Pin 4 Pin 5 Pin 6 Pin 7 Pin 8	8	A	30	2	PVC	24	0,5	SAL-12-FSH8-0,5	43-01014
Pin 1 Pin 2 Pin 3 Pin 4 Pin 5 Pin 6 Pin 7 Pin 8 Pin 9 Pin 10 Pin 11 Pin 12	12	A	30	1,5	PVC	26	0,5	SAL-12-FSH12-0,5	43-01344

Male connector, M16x1.5 thread

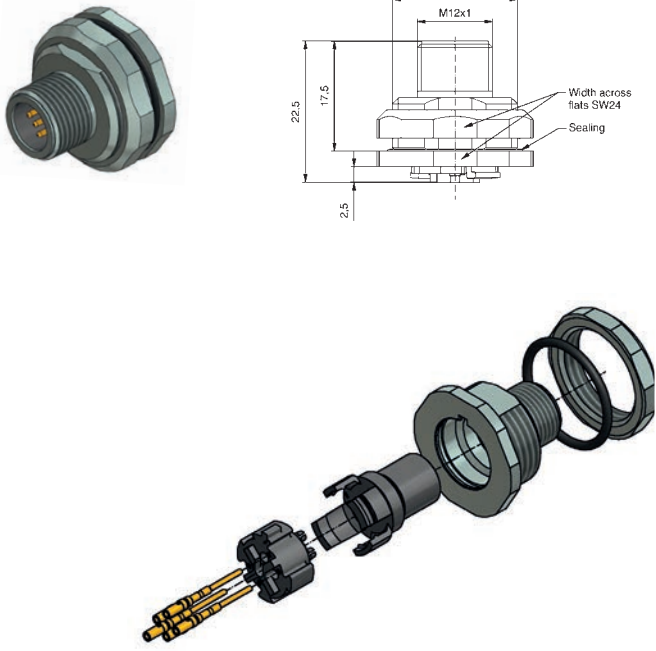
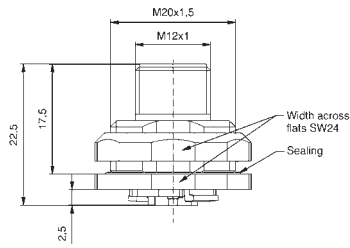


Pin 1 Pin 2 Pin 3 Pin 4	4	A	250	4	PVC	24	0,5	SAL-12-FSH4-0,5-9	43-01088
Pin 1 Pin 2 Pin 3 Pin 4 Pin 5	5	A	60	4	PVC	24	0,5	SAL-12-FSH5-0,5-9	43-01090
Pin 1 Pin 2 Pin 3 Pin 4 Pin 5	5	A	60	4	PVC	24	0,5	SAL-12-FSH5.1-0,5-9	43-01089
Pin 1 Pin 2 Pin 3 Pin 4 Pin 5 Pin 6 Pin 7 Pin 8	8	A	30	2	PVC	24	0,5	SAL-12-FSH8-0,5-9	43-01100
Pin 1 Pin 2 Pin 3 Pin 4 Pin 5 Pin 6 Pin 7 Pin 8 Pin 9 Pin 10 Pin 11 Pin 12	12	A	30	1,5	PVC	26	0,5	SAL-12-FSH12-0,5-9	43-01350

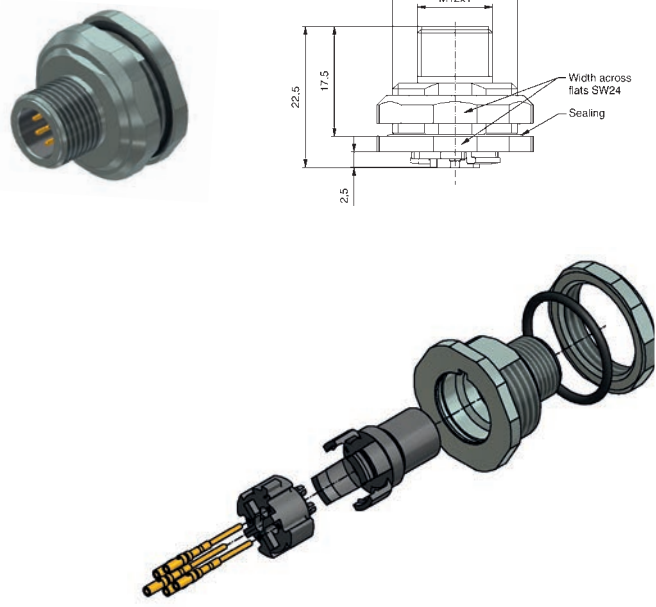
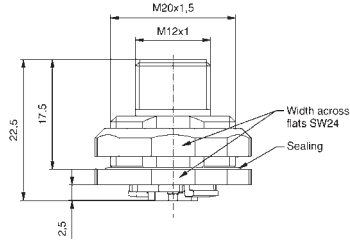
M12x1 SOCKETS FIELD ATTACHABLE

Back panel mounting, wire termination

Male connector, M20x1.5 thread, IP67/IP20

		Number of poles	Coding	Rated voltage [V]	Current rating [A]	Wire cross section [AWG]	Degree of protection	Description	Part No.
		4	A	250	4	AWG22 up to max. AWG20	IP 67 *	SAL-12-FSHC4	43-02691
		5	A	60	4	AWG22 up to max. AWG20	IP 67 *	SAL-12-FSHC5	43-02613
		5	A	60	4	AWG22 up to max. AWG20	IP 67 *	SAL-12-FSHC5.1	43-02632
		8	A	30	2	AWG24 up to max. AWG22	IP 67 *	SAL-12-FSHC8	43-02614

Male connector, M20x1.5 thread, IP67/IP65

		4	A	250	4	AWG22 up to max. AWG20	IP65/ IP67 **	SAL-12-FSHC4/ A1065	43-02747
		5	A	60	4	AWG22 up to max. AWG20	IP65/ IP67 **	SAL-12-FSHC5/ A1065	43-02748
		5	A	60	4	AWG22 up to max. AWG20	IP65/ IP67 **	SAL-12-FSHC5.1/ A1065	43-02749
		8	A	30	2	AWG24 up to max. AWG22	IP65/ IP67 **	SAL-12-FSHC8/ A1065	43-02750

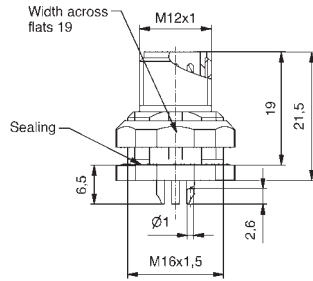
* in mated condition

** in unmated condition IP65; in mated condition IP67

M12x1 SOCKETS

Back panel mounting, solder termination/solder cup

Male connector, M16x1.5 thread

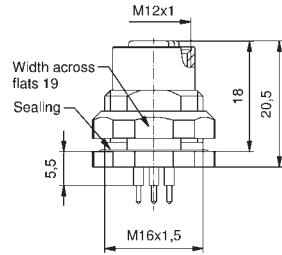


	Number of poles	Coding	Rated voltage [V]	Current rating [A]	Installation height [mm]	Description	Part No.
	4	A	250	4	5,5	SAL-12-FSH4-L	43-02297
	5	A	60	4	5,5	SAL-12-FSH5.1-L	43-02298

M12x1 SOCKETS

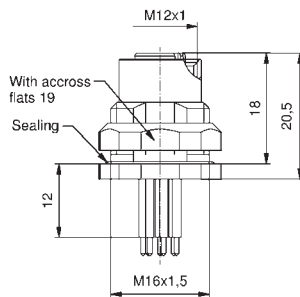
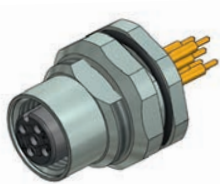
Back panel mounting, dip solder termination

Female connector, M16x1.5 thread, installation height 5.5 mm



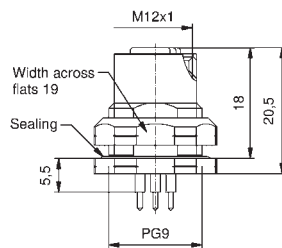
Number of poles	Coding	Rated voltage [V]	Current rating [A]	Installation height [mm]	Description	Part No.
4	A	250	4	5,5	SAL-12-FKH4-P5,5	43-01026
5	A	60	4	5,5	SAL-12-FKH5-P5,5	43-01027
8	A	30	2	5,5	SAL-12-FKH8-P5,5	43-01028

Female connector, M16x1.5 thread, installation height 12 mm



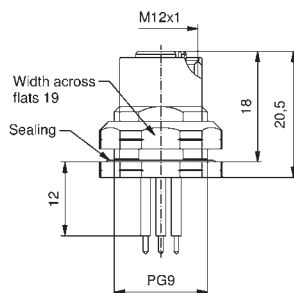
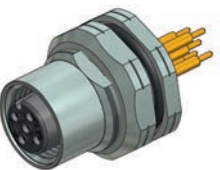
4	A	250	4	12	SAL-12-FKH4-P12	43-01029
5	A	60	4	12	SAL-12-FKH5-P12	43-01030
8	A	30	2	12	SAL-12-FKH8-P12	43-01031

Female connector, PG9 thread, installation height 5.5 mm



4	A	250	4	5,5	SAL-12-FKH4-P5,5-9	43-01059
5	A	60	4	5,5	SAL-12-FKH5-P5,5-9	43-01061
8	A	30	2	5,5	SAL-12-FKH8-P5,5-9	43-01063

Female connector, PG9 thread, installation height 12 mm

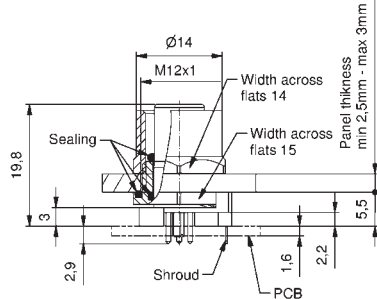


4	A	250	4	12	SAL-12-FKH8-P12-9	43-01060
5	A	60	4	12	SAL-12-FKH5-P12-9	43-01062
8	A	30	2	12	SAL-12-FKH8-P12-9	43-01064

M12x1 SOCKETS

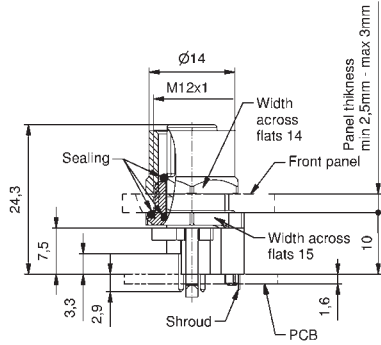
Back panel mounting, dip solder termination

Two-piece female connector, direct circuit board termination, installation height 5.5 mm



Number of poles	Coding	Rated voltage [V]	Current rating [A]	Installation height [mm]	Description	Part No.
4	A	250	4	5,5	SAL-12-FKH4-X5,5	43-01186
4	A	250	4	5,5	SAL-12S-FKH4-X5,5	43-01187 with shroud
5	A	60	4	5,5	SAL-12-FKH5-X5,5	43-01188
5	A	60	4	5,5	SAL-12S-FKH5-X5,5	43-01189 with shroud

Two-piece female connector, direct circuit board termination, installation height 10 mm

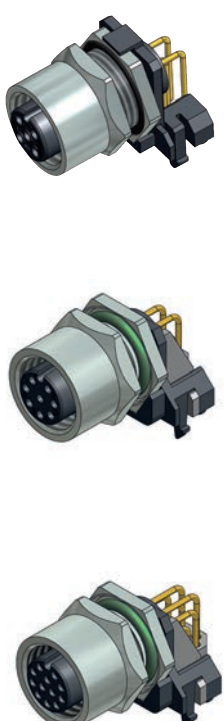
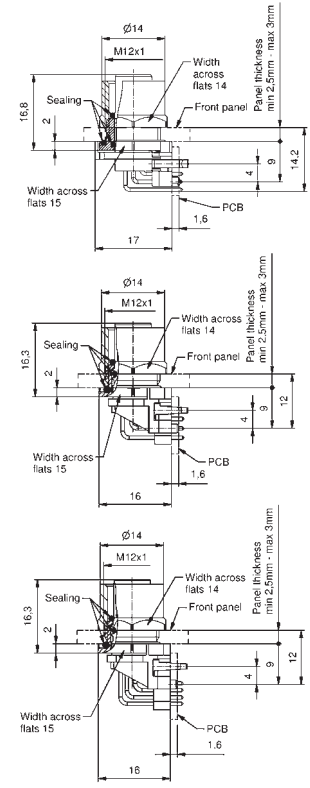


4	A	250	4	10	SAL-12-FKH4-X10	43-01170
4	A	250	4	10	SAL-12S-FKH4-X10	43-01171 with shroud
5	A	60	4	10	SAL-12-FKH5-X10	43-01172
5	A	60	4	10	SAL-12S-FKH5-X10	43-01173 with shroud
8	A	30	2	10	SAL-12-FKH8-X10	43-01334
8	A	30	2	10	SAL-12S-FKH8-X10	43-01335 with shroud


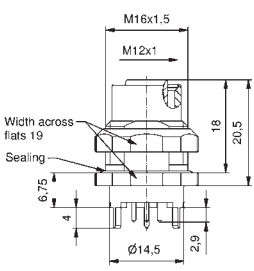
M12x1 SOCKETS

Back panel mounting, dip solder termination

Two-piece female connector angled, direct circuit board termination

		Number of poles	Coding	Rated voltage [V]	Current rating [A]	Installation height [mm]	Description	Part No.	
		4	A	250	4		SAL-12-FKHW4	43-01196	
		4	A	250	4			SAL-12S-FKHW4	43-01197 with shroud
		5	A	60	4			SAL-12-FKHW5	43-01198
		5	A	60	4			SAL-12S-FKHW5	43-01199 with shroud
		8	A	30	2			SAL-12-FKHW8	43-02739
		8	A	30	2			SAL-12S-FKHW8	43-02740 with shroud
		12	A	30	1,5			SAL-12-FKHW12	43-02741
		12	A	30	1,5			SAL-12S-FKHW12	43-02742 with shroud

Female connector with shielding, M16x1.5 thread, installation height 6.75 mm

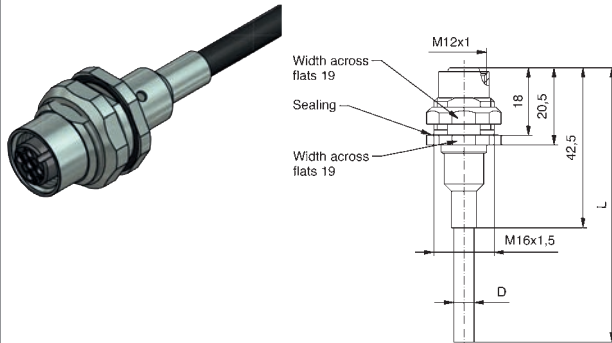
		4	A	250	4	6,75	SAL-12S-FKH4-P6,75	43-01663
		5	A	60	4	6,75	SAL-12S-FKH5-P6,75	43-01664
		8	A	30	2	6,75	SAL-12S-FKH8-P6,75	43-01665

M12x1 SOCKETS

Back panel mounting, with cable, shielded

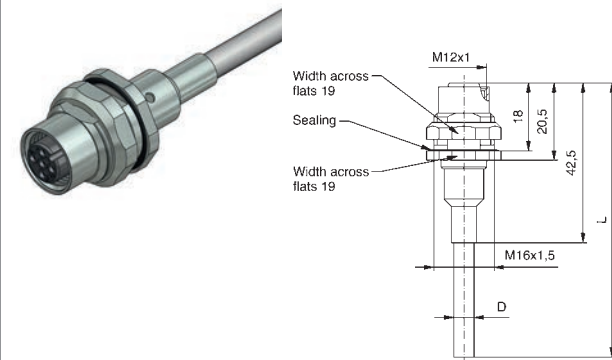
Female connector, M16x1.5 thread, TPU, UL, halogenfree, Li9YC11Y

Contact Assignment



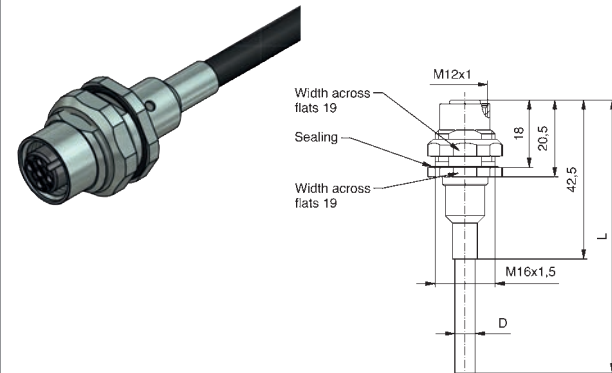
Number of poles	Coding	Rated voltage [V]	Current rating [A]	Wire length = L [m]	Wire cross section [mm ²]	Description	Part No.
4	A	160	4	0,5	0,25	SAL-12S-FKH4-0,5/G2	43-02312
4	A	160	4	1	0,25	SAL-12S-FKH4-1/G2	43-02365
4	A	160	4	2	0,25	SAL-12S-FKH4-2/G2	43-02366

Female connector, M16x1.5 thread, PVC, UL, LiYCY



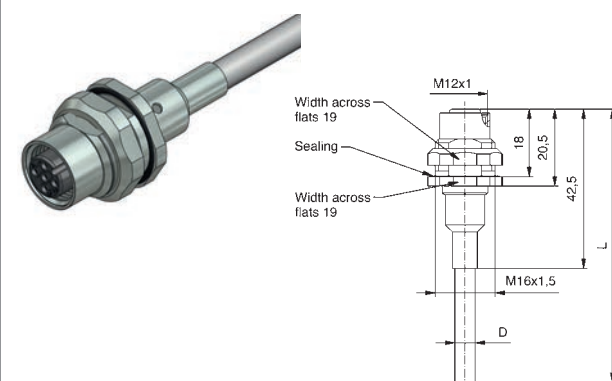
4	A	160	4	0,5	0,25	SAL-12S-FKH4-0,5/G3	43-02313
4	A	160	4	1	0,25	SAL-12S-FKH4-1/G3	43-02367
4	A	160	4	2	0,25	SAL-12S-FKH4-2/G3	43-02368

Female connector, M16x1.5 thread, TPU, UL, halogenfree, Li9YC11Y



5	A	60	4	0,5	0,25	SAL-12S-FKH5.1-0,5/G2	43-02314
5	A	60	4	1	0,25	SAL-12S-FKH5.1-1/G2	43-02369
5	A	60	4	2	0,25	SAL-12S-FKH5.1-2/G2	43-02370

Female connector, M16x1.5 thread, PVC, UL, LiYCY

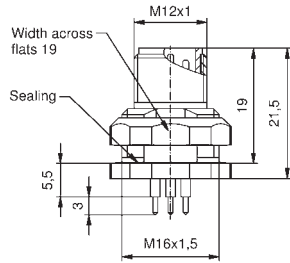


5	A	60	4	0,5	0,25	SAL-12S-FKH5.1-0,5/G3	43-02315
5	A	60	4	1	0,25	SAL-12S-FKH5.1-1/G3	43-02371
5	A	60	4	2	0,25	SAL-12S-FKH5.1-2/G3	43-02372

M12x1 SOCKETS

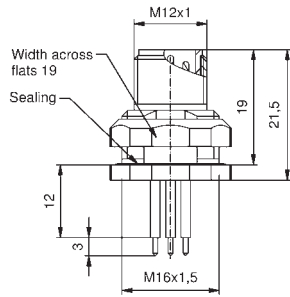
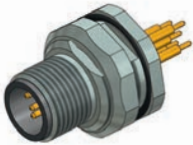
Back panel mounting, dip solder termination

Male connector, M16x1.5 thread, installation height 5.5 mm



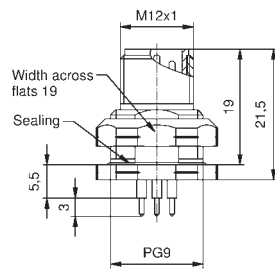
Number of poles	Coding	Rated voltage [V]	Current rating [A]	Installation height [mm]	Description	Part No.
4	A	250	4	5,5	SAL-12-FSH4-P5,5	43-01032
5	A	60	4	5,5	SAL-12-FSH5-P5,5	43-01033
8	A	30	2	5,5	SAL-12-FSH8-P5,5	43-01034

Male connector, M16x1.5 thread, installation height 12 mm



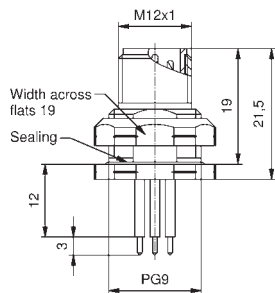
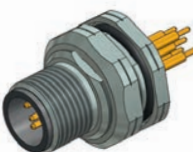
4	A	250	4	12	SAL-12-FSH4-P12	43-01035
5	A	60	4	12	SAL-12-FSH5-P12	43-01036
8	A	30	2	12	SAL-12-FSH8-P12	43-01037

Male connector, PG9 thread, installation height 5.5 mm



4	A	250	4	5,5	SAL-12-FSH4-P5,5-9	43-01065
5	A	60	4	5,5	SAL-12-FSH5-P5,5-9	43-01069
8	A	30	2	5,5	SAL-12-FSH8-P5,5-9	43-01071

Male connector, PG9 thread, installation height 12 mm

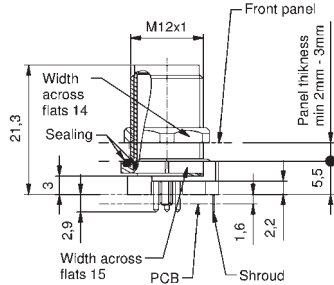


4	A	250	4	12	SAL-12-FSH4-P12-9	43-01066
5	A	60	4	12	SAL-12-FSH5-P12-9	43-01070
8	A	30	2	12	SAL-12-FSH8-P12-9	43-01072

M12x1 SOCKETS

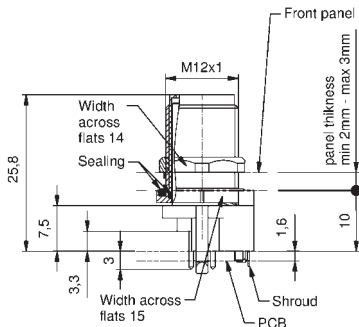
Back panel mounting, dip solder termination

Two-piece male connector, direct circuit board termination, installation height 5.5 mm



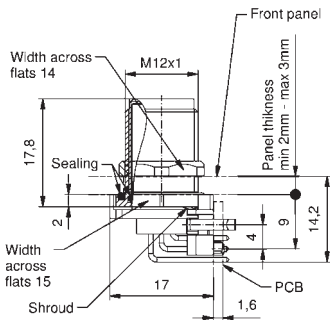
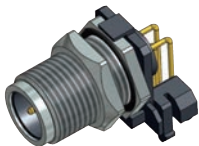
Number of poles	Coding	Rated voltage [V]	Current rating [A]	Installation height [mm]	Description	Part No.
4	A	250	4	5,5	SAL-12-FSH4-X5,5	43-01190
4	A	250	4	5,5	SAL-12S-FSH4-X5,5	43-01191 with shroud
5	A	60	4	5,5	SAL-12-FSH5.1-X5,5	43-01192
5	A	60	4	5,5	SAL-12S-FSH5.1-X5,5	43-01193 with shroud

Two-piece male connector, direct circuit board termination, installation height 10 mm



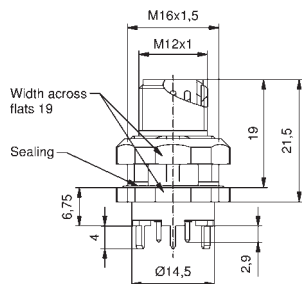
4	A	250	4	10	SAL-12-FSH4-X10	43-01174
4	A	250	4	10	SAL-12S-FSH4-X10	43-01175 with shroud
5	A	60	4	10	SAL-12-FSH5.1-X10	43-01176
5	A	60	4	10	SAL-12S-FSH5.1-X10	43-01177 with shroud

Two-piece male connector, angled, direct circuit board termination



4	A	250	4		SAL-12-FSHW4	43-01204
4	A	250	4		SAL-12S-FSHW4	43-01205 with shroud
5	A	60	4		SAL-12-FSHW5.1	43-01206
5	A	60	4		SAL-12S-FSHW5.1	43-01207 with shroud

Male connector with shielded connection, M16x1,5 thread



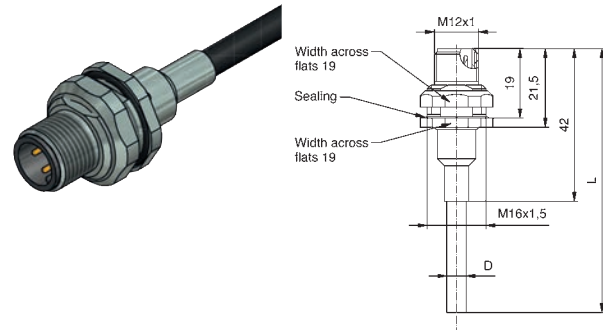
4	A	250	4	6,75	SAL-12S-FSH4-P6,75	43-02204
5	A	60	4	6,75	SAL-12S-FSH5.1-P6,75	43-02205

M12x1 SOCKETS

Back panel mounting with cable, shielded

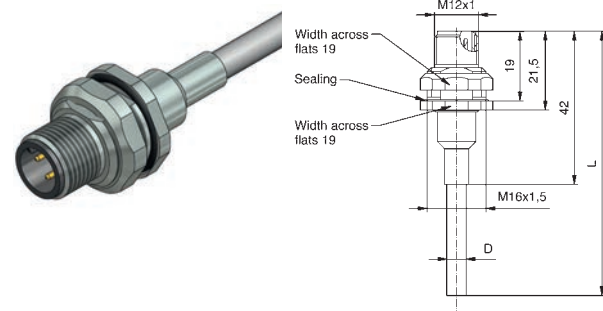
Female connector, M16x1.5 thread, TPU, UL, halogenfree, Li9YC11Y

Contact Assignment



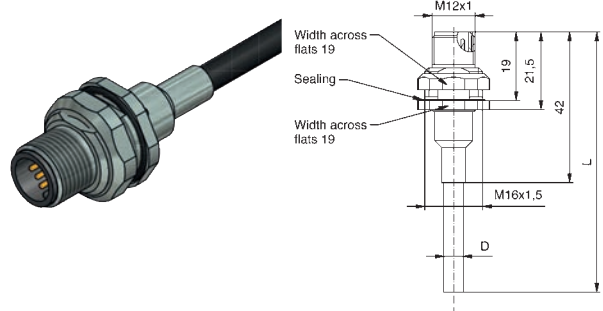
Number of poles	Coding	Rated voltage [V]	Current rating [A]	Wire length = L [m]	Wire cross section [mm ²]	Description	Part No.
4	A	160	4	0,5	0,25	SAL-12S-FSH4-0,5/G2	43-02308
4	A	160	4	1	0,25	SAL-12S-FSH4-1/G2	43-02349
4	A	160	4	2	0,25	SAL-12S-FSH4-2/G2	43-02350

Female connector, M16x1.5 thread, PVC, UL, LiYCY



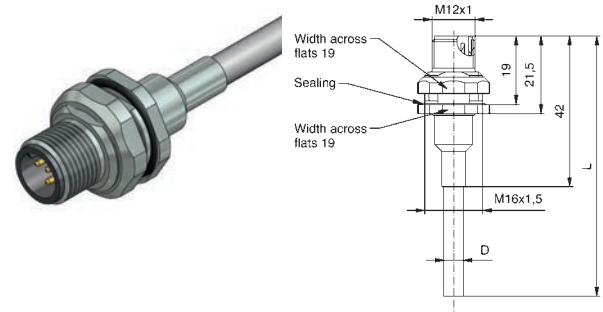
4	A	160	4	0,5	0,25	SAL-12S-FSH4-0,5/G3	43-02309
4	A	160	4	1	0,25	SAL-12S-FSH4-1/G3	43-02351
4	A	160	4	2	0,25	SAL-12S-FSH4-2/G3	43-02352

Female connector, M16x1.5 thread, TPU, UL, halogenfree, Li9YC11Y



5	A	60	4	0,5	0,25	SAL-12S-FSH5.1-0,5/G2	43-02306
5	A	60	4	1	0,25	SAL-12S-FSH5.1-1/G2	43-02353
5	A	60	4	2	0,25	SAL-12S-FSH5.1-2/G2	43-02354

Female connector, M16x1.5 thread, PVC, UL, LiYCY

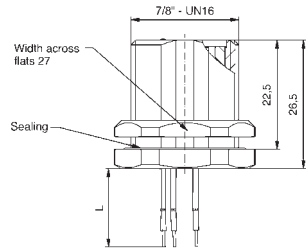
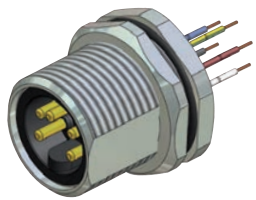


5	A	60	4	0,5	0,25	SAL-12S-FSH5.1-0,5/G3	43-02307
5	A	60	4	1	0,25	SAL-12S-FSH5.1-1/G3	43-02355
5	A	60	4	2	0,25	SAL-12S-FSH5.1-2/G3	43-02356

7/8" SOCKETS

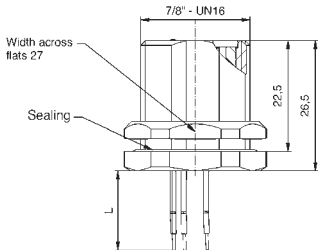
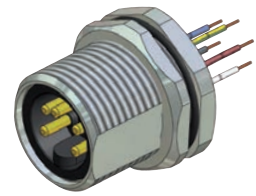
Back panel mounting, wire termination

Male connector, AWG 18



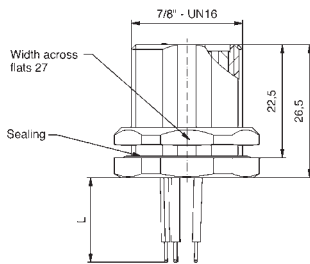
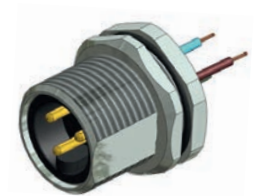
Contact Assignment	Number of poles	Coding	Rated voltage [V]	Current rating [A]	Wire material	Wire cross section [AWG]	Wire length = L [m]	Description	Part No.
PE Pin 2 Pin 3	2+PE		300	8	PVC	18	0,5	SAL-7/8-FSH2PE-0,5	41-40003
Pin 1 Pin 2 Pin 3 Pin 4	4		300	8	PVC	18	0,5	SAL-7/8-FSH4-0,5	41-40004
Pin 1 Pin 2 PE Pin 4 Pin 5	4+PE		300	8	PVC	18	0,5	SAL-7/8-FSH4PE-0,5	41-40005

Male connector, AWG16



PE Pin 2 Pin 3	2+PE		300	12	PVC	16	0,5	SAL-7/8-FSH2PE-0,5/150	41-40012
Pin 1 Pin 2 Pin 3 Pin 4	4		300	12	PVC	16	0,5	SAL-7/8-FSH4-0,5/150	41-40013
Pin 1 Pin 2 PE Pin 4 Pin 5	4+PE		300	12	PVC	16	0,5	SAL-7/8-FSH4PE-0,5/150	41-40014

Male connector, AWG14



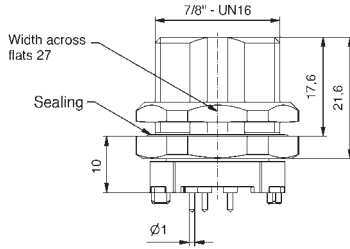
PE Pin 2 Pin 3	2+PE		300	16	PVC	14	0,5	SAL-7/8-FSH2PE-0,5/250	41-40123
Pin 1 Pin 2 PE Pin 4 Pin 5	4+PE		300	16	PVC	14	0,5	SAL-7/8-FSH4PE-0,5/250	41-40124

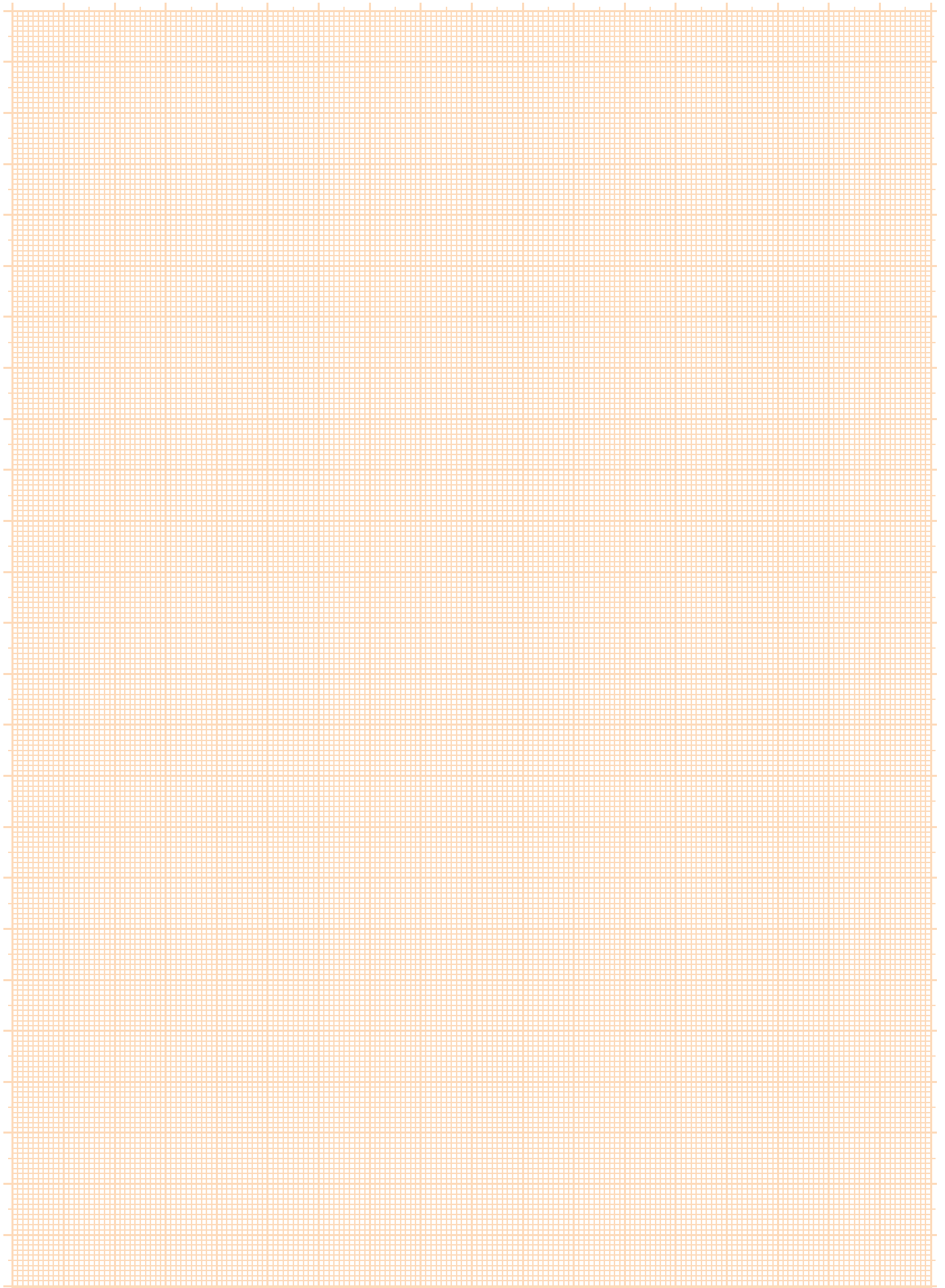
7/8" SOCKETS

Back panel mounting, dip solder termination

Two-piece female connector, direct circuit board termination, installation height 10 mm

Number of poles	Coding	Rated voltage [V]	Current rating [A]	Installation height [mm]	Description	Part No.
2+PE		300	12	10	SAL-7/8-FSH2PE-X10	41-40048
4		300	12	10	SAL-7/8-FSH4-X10	41-40049
4+PE		300	12	10	SAL-7/8-FSH4PE-X10	41-40050





SECTION 4

SOCKETS SMT / THR





SAL M8x1/M12x1 SOCKETS SMT/THR

Nomenclature

S A L - 1 2 - F K - 4 - X 9 / SMT

SAL
Sensor Actor Line

Installation size

8 = M8x1
12 = M12x1

Coding

= A-coding (M12x1), Standard (M8x1)
B = B-coding
D = D-coding
S = A-coding shielded
BS = B-coding shielded

Design

F = Socket
I = Insulation body

Gender

K = Female connector
S = Male connector

Assembly

= Front panel mounting
H = Back panel mounting

Configuration

= Axial
W = Angled

Number of poles

3 = 3-pos. 5 = 5-pos.
4 = 4-pos. 8 = 8-pos.

Type of connection/Installation height

X6 = Dip solder 6 mm X10 = Dip solder 10 mm
X8 = Dip solder 8.2 mm X12 = Dip solder 12.2 mm
X9 = Dip solder 9 mm X13 = Dip solder 13 mm
Xxx = Installation height two-piece socket

Termination

= Manual assembly
SMT = Surface Mount Technology (Reflow Soldering)
THR = Through Hole Reflow (Reflow Soldering)

SAL M8x1 / M12x1 SOCKETS SMT/THR

Product specification

Basic material	
Contact	CuZn
Contact plating	Nickel plated, gold plated
Contact carrier	LCP GF
Soldering sheet	CuZn, Ni/Sn
Socket housing	CuZn, Ni
Sealing	FPM, NBR
Shielding	CuSn, Ni/sel. Sn

Technical Data

Information on the following pages are basing on below mentioned IWEK-standards.

Rated voltage	IEC 61076-2-101 / 104
Current rating	IEC 61076-2-101 / 104
Insulation resistance	IEC 60512
Degree of pollution	IEC 60664-1
Mating cycles	IEC 60512-9a

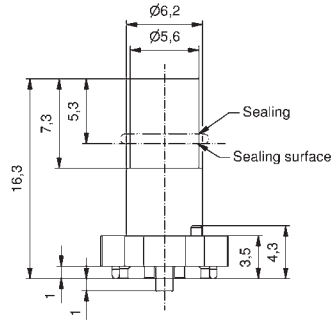
Recommended torque for housing: 1-1.2 Nm

Technical subject to change without notice.

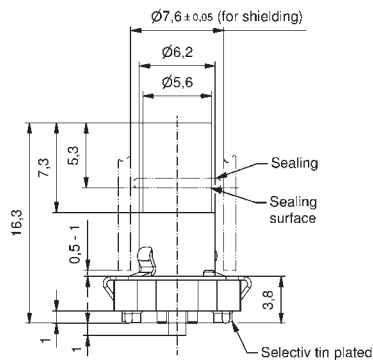
M8x1 SOCKETS SMT

Insulation body

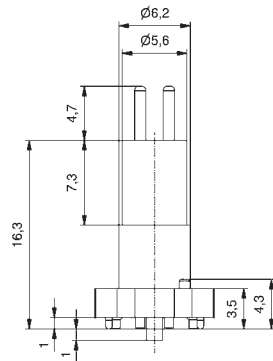
Female connector



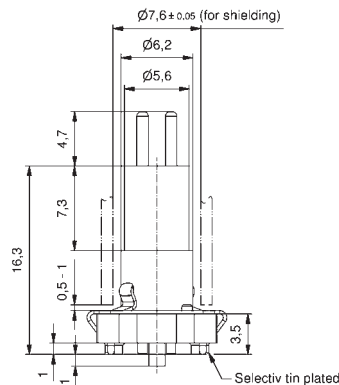
with shielding



Male connector



with shielding


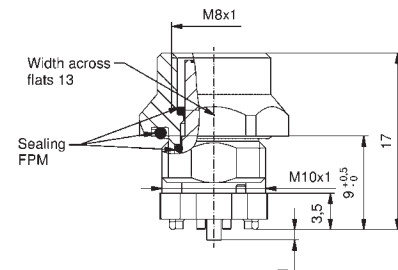


Number of poles	Coding	Rated voltage [V]	Current rating [A]	Description	Part No.
3		50 V AC / 60 V DC	4	SAL-8-1K3/SMT	Reel: 42-01213TR In bulk: 42-01213
4		50 V AC / 60 V DC	4	SAL-8-1K4/SMT	Reel: 42-01217TR In bulk: 42-01217
5	B	30 V AC/DC	3	SAL-8B-1K5/SMT	Reel: 42-01221TR In bulk: 42-01221
8	A	30 V AC/DC	2	SAL-8-1K8/SMT	Reel: 42-01225TR In bulk: 42-01225
3		50 V AC / 60 V DC	4	SAL-8S-1K3/SMT	Reel: 42-01215TR In bulk: 42-01215
4		50 V AC / 60 V DC	4	SAL-8S-1K4/SMT	Reel: 42-01219TR In bulk: 42-01219
5	B	30 V AC/DC	3	SAL-8BS-1K5/SMT	Reel: 42-01223TR In bulk: 42-01223
8	A	30 V AC/DC	2	SAL-8S-1K8/SMT	Reel: 42-01227TR In bulk: 42-01227
3		50 V AC / 60 V DC	4	SAL-8-1S3/SMT	Reel: 42-01214TR In bulk: 42-01214
4		50 V AC / 60 V DC	4	SAL-8-1S4/SMT	Reel: 42-01218TR In bulk: 42-01218
5	B	30 V AC/DC	3	SAL-8B-1S5.1/SMT	Reel: 42-01222TR In bulk: 42-01222
8	A	30 V AC/DC	2	SAL-8-1S8/SMT	Reel: 42-01226TR In bulk: 42-01226
3		50 V AC / 60 V DC	4	SAL-8S-1S3/SMT	Reel: 42-01216TR In bulk: 42-01216
4		50 V AC / 60 V DC	4	SAL-8S-1S4/SMT	Reel: 42-01220TR In bulk: 42-01220
5	B	30 V AC/DC	3	SAL-8BS-1S5.1/SMT	Reel: 42-01224TR In bulk: 42-01224
8	A	30 V AC/DC	2	SAL-8S-1S8/SMT	Reel: 42-01228TR In bulk: 42-01228


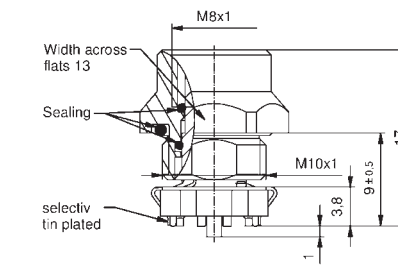
M8x1 SOCKETS SMT

Front panel mounting, installation height 9 mm


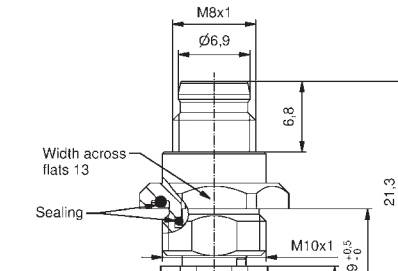
Female connector

	Number of poles	Coding	Rated voltage [V]	Current rating [A]	Installation height [mm]	Description	Part No.
 	3		50 V AC / 60 V DC	4	9	SAL-8-FK3-X9/ SMT	Reel: 42-01229TR In bulk: 42-01229
	4		50 V AC / 60 V DC	4	9	SAL-8-FK4-X9/ SMT	Reel: 42-01245TR In bulk: 42-01245
	5	B	30 V AC/DC	3	9	SAL-8B-FK5-X9/ SMT	Reel: 42-01261TR In bulk: 42-01261
	8	A	30 V AC/DC	2	9	SAL-8-FK8-X9/ SMT	Reel: 42-01277TR In bulk: 42-01277


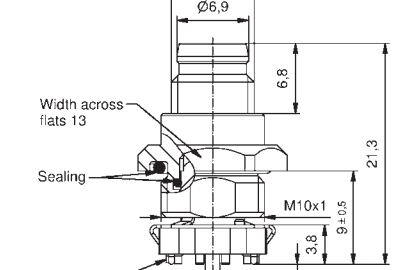
with shielding

 	3		50 V AC / 60 V DC	4	9	SAL-8S-FK3-X9/ SMT	Reel: 42-01233TR In bulk: 42-01233
	4		50 V AC / 60 V DC	4	9	SAL-8S-FK4-X9/ SMT	Reel: 42-01249TR In bulk: 42-01249
	5	B	30 V AC/DC	3	9	SAL-8BS-FK5-X9/ SMT	Reel: 42-01265TR In bulk: 42-01265
	8	A	30 V AC/DC	2	9	SAL-8S-FK8-X9/ SMT	Reel: 42-01281TR In bulk: 42-01281

Male connector

 	3		50 V AC / 60 V DC	4	9	SAL-8-FS3-X9/ SMT	Reel: 42-01237TR In bulk: 42-01237
	4		50 V AC / 60 V DC	4	9	SAL-8-FS4-X9/ SMT	Reel: 42-01253TR In bulk: 42-01253

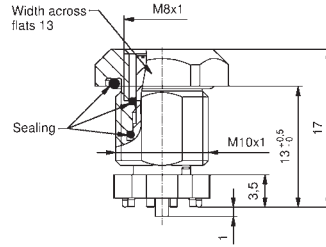
with shielding

 	3		50 V AC / 60 V DC	4	9	SAL-8S-FS3-X9/ SMT	Reel: 42-01241TR In bulk: 42-01241
	4		50 V AC / 60 V DC	4	9	SAL-8S-FS4-X9/ SMT	Reel: 42-01257TR In bulk: 42-01257

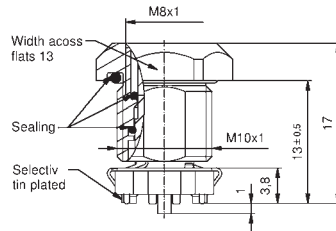
M8x1 SOCKETS SMT

Front panel mounting, installation height 13 mm

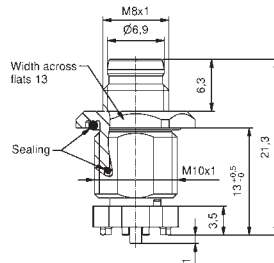
Female connector



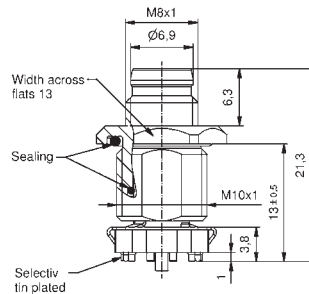
with shielding



Male connector



with shielding

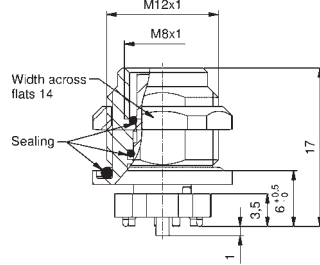


Number of poles	Coding	Rated voltage [V]	Current rating [A]	Installation height [mm]	Description	Part No.
3		50 V AC / 60 V DC	4	13	SAL-8-FK3-X13/ SMT	Reel: 42-01230TR In bulk: 42-01230
4		50 V AC / 60 V DC	4	13	SAL-8-FK4-X13/ SMT	Reel: 42-01246TR In bulk: 42-01246
5	B	30 V AC/DC	3	13	SAL-8B-FK5-X13/ SMT	Reel: 42-01262TR In bulk: 42-01262
8	A	30 V AC/DC	2	13	SAL-8-FK8-X13/ SMT	Reel: 42-01278TR In bulk: 42-01278
3		50 V AC / 60 V DC	4	13	SAL-8S-FK3-X13/ SMT	Reel: 42-01234TR In bulk: 42-01234
4		50 V AC / 60 V DC	4	13	SAL-8S-FK4-X13/ SMT	Reel: 42-01250TR In bulk: 42-01250
5	B	30 V AC/DC	3	13	SAL-8BS-FK5-X13/ SMT	Reel: 42-01266TR In bulk: 42-01266
8	A	30 V AC/DC	2	13	SAL-8S-FK8-X13/ SMT	Reel: 42-01282TR In bulk: 42-01282
3		50 V AC / 60 V DC	4	13	SAL-8-FS3-X13/ SMT	Reel: 42-01238TR In bulk: 42-01238
4		50 V AC / 60 V DC	4	13	SAL-8-FS4-X13/ SMT	Reel: 42-01254TR In bulk: 42-01254
3		50 V AC / 60 V DC	4	13	SAL-8S-FS3-X13/ SMT	Reel: 42-01242TR In bulk: 42-01242
4		50 V AC / 60 V DC	4	13	SAL-8S-FS4-X13/ SMT	Reel: 42-01258TR In bulk: 42-01258

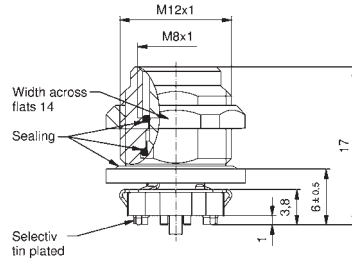
M8x1 SOCKETS SMT

Back panel mounting, installation height 6 mm

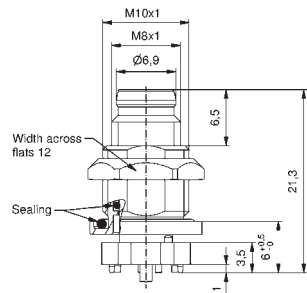
Female connector



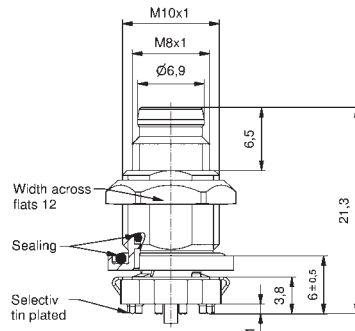
with shielding



Male connector



with shielding

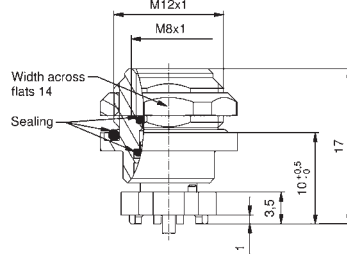


	Number of poles	Coding	Rated voltage [V]	Current rating [A]	Installation height [mm]	Description	Part No.
Female connector	3		50 V AC / 60 V DC	4	6	SAL-8-FKH3-X6/ SMT	Reel: 42-01231TR In bulk: 42-01231
	4		50 V AC / 60 V DC	4	6	SAL-8-FKH4-X6/ SMT	Reel: 42-01247TR In bulk: 42-01247
	5	B	30 V AC/DC	3	6	SAL-8B-FKH5-X6/ SMT	Reel: 42-01263TR In bulk: 42-01263
	8	A	30 V AC/DC	2	6	SAL-8-FKH8-X6/ SMT	Reel: 42-01279TR In bulk: 42-01279
with shielding	3		50 V AC / 60 V DC	4	6	SAL-8S-FKH3-X6/ SMT	Reel: 42-01235TR In bulk: 42-01235
	4		50 V AC / 60 V DC	4	6	SAL-8S-FKH4-X6/ SMT	Reel: 42-01251TR In bulk: 42-01251
	5	B	30 V AC/DC	3	6	SAL-8BS-FKH5-X6/ SMT	Reel: 42-01267TR In bulk: 42-01267
	8	A	30 V AC/DC	2	6	SAL-8S-FKH8-X6/ SMT	Reel: 42-01283TR In bulk: 42-01283
Male connector	3		50 V AC / 60 V DC	4	6	SAL-8-FSH3-X6/ SMT	Reel: 42-01239TR In bulk: 42-01239
	4		50 V AC / 60 V DC	4	6	SAL-8-FSH4-X6/ SMT	Reel: 42-01255TR In bulk: 42-01255
with shielding	3		50 V AC / 60 V DC	4	6	SAL-8S-FSH3-X6/ SMT	Reel: 42-01243TR In bulk: 42-01243
	4		50 V AC / 60 V DC	4	6	SAL-8S-FSH4-X6/ SMT	Reel: 42-01259TR In bulk: 42-01259

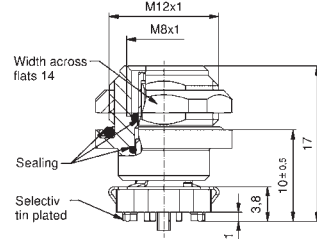
M8x1 SOCKETS SMT

Back panel mounting, installation height 10 mm

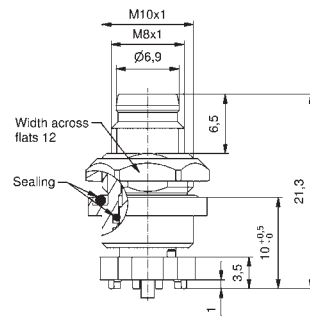
Female connector



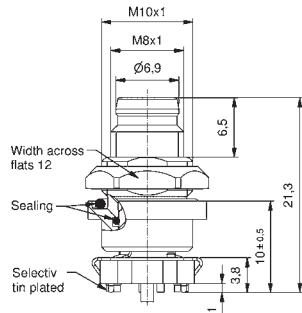
with shielding



Male connector



with shielding

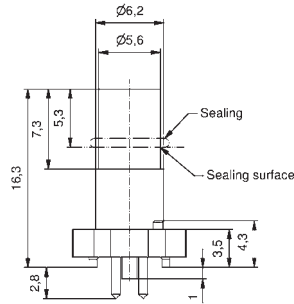


Number of poles	Coding	Rated voltage [V]	Current rating [A]	Installation height [mm]	Description	Part No.
3		50 V AC / 60 V DC	4	10	SAL-8-FKH3-X10/ SMT	Reel: 42-01232TR In bulk: 42-01232
4		50 V AC / 60 V DC	4	10	SAL-8-FKH4-X10/ SMT	Reel: 42-01248TR In bulk: 42-01248
5	B	30 V AC/DC	3	10	SAL-8B-FK5-X10/ SMT	Reel: 42-01264TR In bulk: 42-01264
8	A	30 V AC/DC	2	10	SAL-8-FKH8-X10/ SMT	Reel: 42-01280TR In bulk: 42-01280
3		50 V AC / 60 V DC	4	10	SAL-8S-FKH3-X10/ SMT	Reel: 42-01236TR In bulk: 42-01236
4		50 V AC / 60 V DC	4	10	SAL-8S-FKH4-X10/ SMT	Reel: 42-01252TR In bulk: 42-01252
5	B	30 V AC/DC	3	10	SAL-8BS-FKH5-X10/ SMT	Reel: 42-01268TR In bulk: 42-01268
8	A	30 V AC/DC	2	10	SAL-8S-FKH8-X10/ SMT	Reel: 42-01284TR In bulk: 42-01284
3		50 V AC / 60 V DC	4	10	SAL-8-FSH3-X10/ SMT	Reel: 42-01240TR In bulk: 42-01240
4		50 V AC / 60 V DC	4	10	SAL-8-FSH4-X10/ SMT	Reel: 42-01256TR In bulk: 42-01256
3		50 V AC / 60 V DC	4	10	SAL-8S-FSH3-X10/ SMT	Reel: 42-01244TR In bulk: 42-01244
4		50 V AC / 60 V DC	4	10	SAL-8S-FSH4-X10/ SMT	Reel: 42-01260TR In bulk: 42-01260

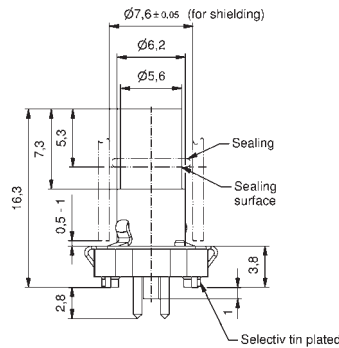
M8x1 SOCKETS THR

Insulation body

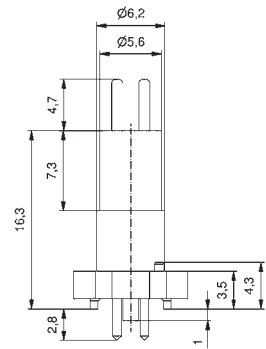
Female connector



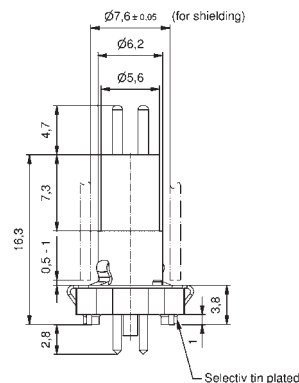
with shielding



Male connector



with shielding

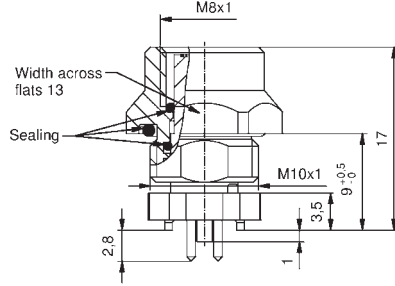


Number of poles	Coding	Rated voltage [V]	Current rating [A]	Description	Part No.
3		50 V AC / 60 V DC	4	SAL-8-1K3/THR	Reel: 42-01389TR In bulk: 42-01389
4		50 V AC / 60 V DC	4	SAL-8-1K4/THR	Reel: 42-01393TR In bulk: 42-01393
5	B	30 V AC/DC	3	SAL-8B-1K5/THR	Reel: 42-01397TR In bulk: 42-01397
8	A	30 V AC/DC	2	SAL-8-1K8/THR	Reel: 42-01401TR In bulk: 42-01401
3		50 V AC / 60 V DC	4	SAL-8S-1K3/THR	Reel: 42-01391TR In bulk: 42-01391
4		50 V AC / 60 V DC	4	SAL-8S-1K4/THR	Reel: 42-01395TR In bulk: 42-01395
5	B	30 V AC/DC	3	SAL-8BS-1K5/THR	Reel: 42-01399TR In bulk: 42-01399
8	A	30 V AC/DC	2	SAL-8S-1K8/THR	Reel: 42-01403TR In bulk: 42-01403
3		50 V AC / 60 V DC	4	SAL-8-IS3/THR	Reel: 42-01390TR In bulk: 42-01390
4		50 V AC / 60 V DC	4	SAL-8-IS4/THR	Reel: 42-01394TR In bulk: 42-01394
5	B	30 V AC/DC	3	SAL-8B-IS5.1/THR	Reel: 42-01398TR In bulk: 42-01398
8	A	30 V AC/DC	2	SAL-8-IS8/THR	Reel: 42-01402TR In bulk: 42-01402
3		50 V AC / 60 V DC	4	SAL-8S-IS3/THR	Reel: 42-01392TR In bulk: 42-01392
4		50 V AC / 60 V DC	4	SAL-8S-IS4/THR	Reel: 42-01396TR In bulk: 42-01396
5	B	30 V AC/DC	3	SAL-8BS-IS5.1/THR	Reel: 42-01400TR In bulk: 42-01400
8	A	30 V AC/DC	2	SAL-8S-IS8/THR	Reel: 42-01404TR In bulk: 42-01404

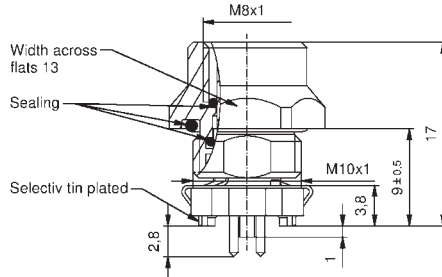
M8x1 SOCKETS THR

Front panel mounting, installation height 9 mm

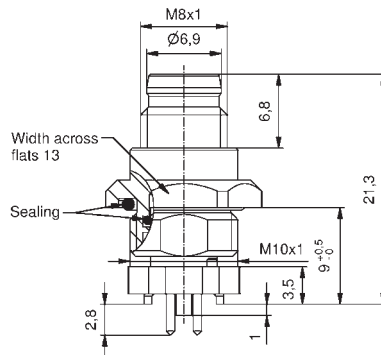
Female connector



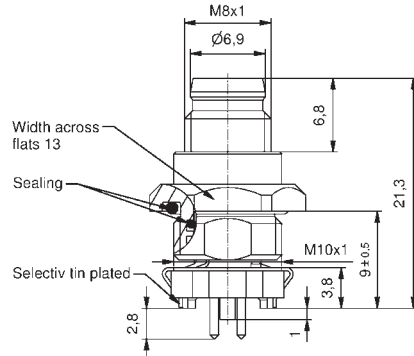
with shielding



Male connector



with shielding

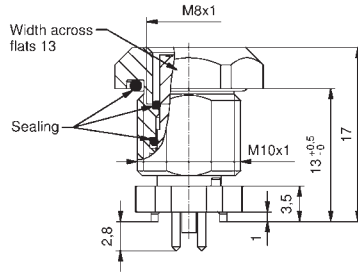


Number of poles	Coding	Rated voltage [V]	Current rating [A]	Installation height [mm]	Description	Part No.
3		50 V AC / 60 V DC	4	9	SAL-8-FK3-X9/ THR	Reel: 42-01293TR In bulk: 42-01293
4		50 V AC / 60 V DC	4	9	SAL-8-FK4-X9/ THR	Reel: 42-01309TR In bulk: 42-01309
5	B	30 V AC/DC	3	9	SAL-8B-FK5-X9/ THR	Reel: 42-01325TR In bulk: 42-01325
8	A	30 V AC/DC	2	9	SAL-8-FK8-X9/ THR	Reel: 42-01341TR In bulk: 42-01341
3		50 V AC / 60 V DC	4	9	SAL-8S-FK3-X9/ THR	Reel: 42-01297TR In bulk: 42-01297
4		50 V AC / 60 V DC	4	9	SAL-8S-FK4-X9/ THR	Reel: 42-01313TR In bulk: 42-01313
5	B	30 V AC/DC	3	9	SAL-8BS-FK5-X9/ THR	Reel: 42-01329TR In bulk: 42-01329
8	A	30 V AC/DC	2	9	SAL-8S-FK8-X9/ THR	Reel: 42-01345TR In bulk: 42-01345
3		50 V AC / 60 V DC	4	9	SAL-8-FS3-X9/ THR	Reel: 42-01301TR In bulk: 42-01301
4		50 V AC / 60 V DC	4	9	SAL-8-FS4-X9/ THR	Reel: 42-01317TR In bulk: 42-01317
3		50 V AC / 60 V DC	4	9	SAL-8S-FS3-X9/ THR	Reel: 42-01305TR In bulk: 42-01305
4		50 V AC / 60 V DC	4	9	SAL-8S-FS4-X9/ THR	Reel: 42-01321TR In bulk: 42-01321

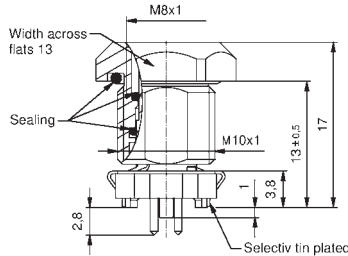
M8x1 SOCKETS THR

Front panel mounting, installation height 13 mm

Female connector



with shielding


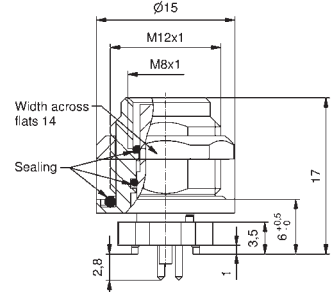


	Number of poles	Coding	Rated voltage [V]	Current rating [A]	Installation height [mm]	Description	Part No.
Female connector	3		50 V AC / 60 V DC	4	13	SAL-8-FK3-X13/ THR	Reel: 42-01294TR In bulk: 42-01294
	4		50 V AC / 60 V DC	4	13	SAL-8-FK4-X13/ THR	Reel: 42-01310TR In bulk: 42-01310
	5	B	30 V AC/DC	3	13	SAL-8B-FK5-X13/ THR	Reel: 42-01326TR In bulk: 42-01326
	8	A	30 V AC/DC	2	13	SAL-8-FK8-X13/ THR	Reel: 42-01342TR In bulk: 42-01342
with shielding	3		50 V AC / 60 V DC	4	13	SAL-8S-FK3-X13/ THR	Reel: 42-01298TR In bulk: 42-01298
	4		50 V AC / 60 V DC	4	13	SAL-8S-FK4-X13/ THR	Reel: 42-01314TR In bulk: 42-01314
	5	B	30 V AC/DC	3	13	SAL-8BS-FK5-X13/ THR	Reel: 42-01330TR In bulk: 42-01330
	8	A	30 V AC/DC	2	13	SAL-8S-FK8-X13/ THR	Reel: 42-01346TR In bulk: 42-01346
Male connector							
Female connector	3		50 V AC / 60 V DC	4	13	SAL-8-FS3-X13/ THR	Reel: 42-01302TR In bulk: 42-01302
	4		50 V AC / 60 V DC	4	13	SAL-8-FS4-X13/ THR	Reel: 42-01318TR In bulk: 42-01318
with shielding	3		50 V AC / 60 V DC	4	13	SAL-8S-FS3-X13/ THR	Reel: 42-01306TR In bulk: 42-01306
	4		50 V AC / 60 V DC	4	13	SAL-8S-FS4-X13/ THR	Reel: 42-01322TR In bulk: 42-01322


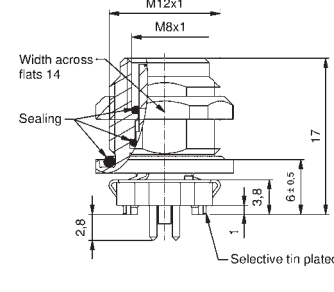
M8x1 SOCKETS THR

Back panel mounting, installation height 6 mm


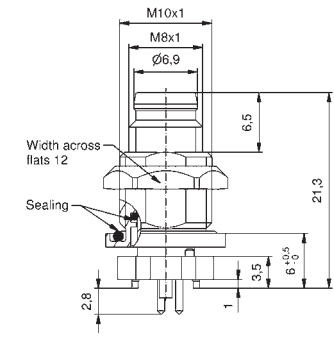
Female connector

	Number of poles	Coding	Rated voltage [V]	Current rating [A]	Installation height [mm]	Description	Part No.
 	3		50 V AC / 60 V DC	4	6	SAL-8-FKH3-X6/ THR	Reel: 42-01295TR In bulk: 42-01295
	4		50 V AC / 60 V DC	4	6	SAL-8-FKH4-X6/ THR	Reel: 42-01311TR In bulk: 42-01311
	5	B	30 V AC/DC	3	6	SAL-8B-FKH5-X6/ THR	Reel: 42-01327TR In bulk: 42-01327
	8	A	30 V AC/DC	2	6	SAL-8-FKH8-X6/ THR	Reel: 42-01343TR In bulk: 42-01343


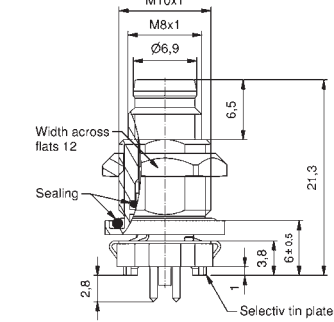
with shielding

 	3		50 V AC / 60 V DC	4	6	SAL-8S-FKH3-X6/ THR	Reel: 42-01299TR In bulk: 42-01299
	4		50 V AC / 60 V DC	4	6	SAL-8S-FKH4-X6/ THR	Reel: 42-01315TR In bulk: 42-01315
	5	B	30 V AC/DC	3	6	SAL-8BS-FKH5-X6/ THR	Reel: 42-01331TR In bulk: 42-01331
	8	A	30 V AC/DC	2	6	SAL-8S-FKH8-X6/ THR	Reel: 42-01347TR In bulk: 42-01347

Male connector

 	3		50 V AC / 60 V DC	4	6	SAL-8-FSH3-X6/ THR	Reel: 42-01303TR In bulk: 42-01303
	4		50 V AC / 60 V DC	4	6	SAL-8-FSH4-X6/ THR	Reel: 42-01319TR In bulk: 42-01319

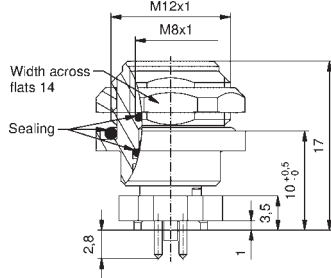
with shielding

 	3		50 V AC / 60 V DC	4	6	SAL-8S-FSH3-X6/ THR	Reel: 42-01307TR In bulk: 42-01307
	4		50 V AC / 60 V DC	4	6	SAL-8S-FSH4-X6/ THR	Reel: 42-01323TR In bulk: 42-01323

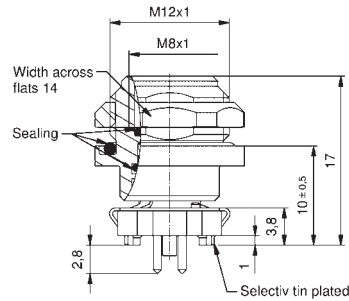
M8x1 EINBAUFLANSCH THR

Back panel mounting, installation height 10 mm

Female connector

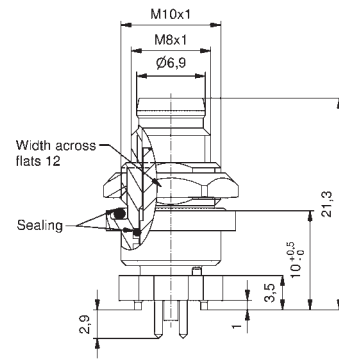


with shielding

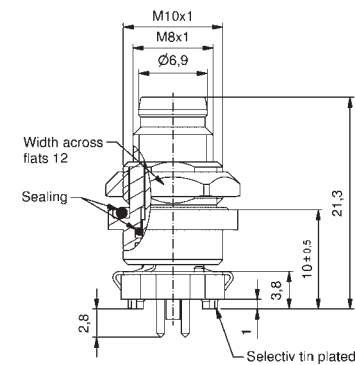


Number of poles	Coding	Rated voltage [V]	Current rating [A]	Installation height [mm]	Description	Part No.
3		50 V AC / 60 V DC	4	10	SAL-8-FKH3-X10/ THR	Reel: 42-01296TR In bulk: 42-01296
4		50 V AC / 60 V DC	4	10	SAL-8-FKH4-X10/ THR	Reel: 42-01312TR In bulk: 42-01312
5	B	30 V AC/DC	3	10	SAL-8B-FKH5-X10/ THR	Reel: 42-01328TR In bulk: 42-01328
8	A	30 V AC/DC	2	10	SAL-8-FKH8-X10/ THR	Reel: 42-01344TR In bulk: 42-01344
3		50 V AC / 60 V DC	4	10	SAL-8S-FKH3-X10/ THR	Reel: 42-01300TR In bulk: 42-01300
4		50 V AC / 60 V DC	4	10	SAL-8S-FKH4-X10/ THR	Reel: 42-01316TR In bulk: 42-01316
5	B	30 V AC/DC	3	10	SAL-8BS-KH5-X10/ THR	Reel: 42-01332TR In bulk: 42-01332
8	A	30 V AC/DC	2	10	SAL-8S-FKH8-X10/ THR	Reel: 42-01348TR In bulk: 42-01348

Male connector



with shielding


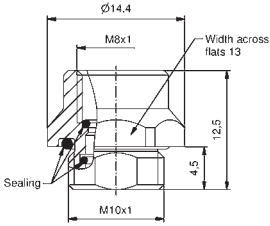

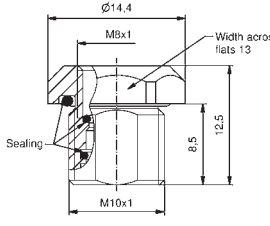

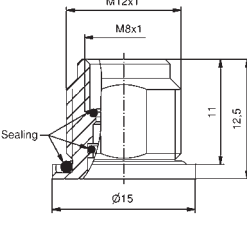

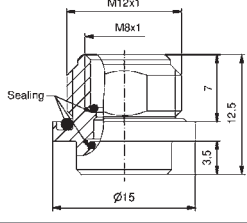


3		50 V AC / 60 V DC	4	10	SAL-8-FSH3-X10/ THR	Reel: 42-01304TR In bulk: 42-01304
4		50 V AC / 60 V DC	4	10	SAL-8-FSH4-X10/ THR	Reel: 42-01320TR In bulk: 42-01320
3		50 V AC / 60 V DC	4	10	SAL-8S-FSH3-X10/ THR	Reel: 42-01308TR In bulk: 42-01308
4		50 V AC / 60 V DC	4	10	SAL-8S-FSH4-X10/ THR	Reel: 42-01324TR In bulk: 42-01324

M8x1 SOCKETS SMT/THR

Installation components

Socket housing female

		Front panel mounting	Back panel mounting	Size	Width across flats	Installation height [mm]	Description	Part No.
		✓		M10x1	13	9		42-01481
		✓		M10x1	13	13		42-01482
			✓	M12x1		6		42-01483
		✓		M12x1		10		42-01484

M8x1 SOCKETS SMT/THR

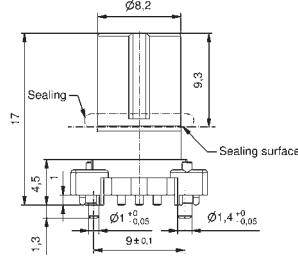
Installation components

Socket housing male		Front panel mounting	Back panel mounting	Size	Width across flats	Installation height [mm]	Description	Part No.
		✓		M10x1	13	9		42-01485
		✓		M10x1	13	13		42-01486
			✓	M10x1		6		42-01487
		✓		M10x1		10		42-01488
Hex nut								
				M10x1	12			42-01508
				M12x1	14			43-01716

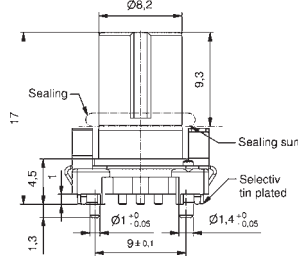
M12x1 SOCKETS SMT

Insulation body

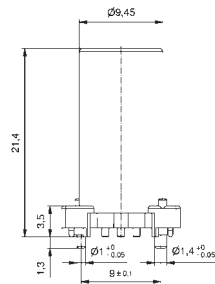
Female connector



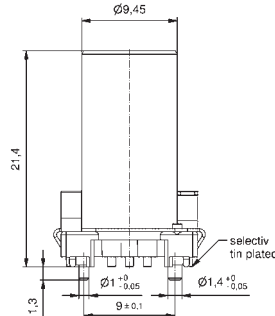
with shielding



Male connector



with shielding

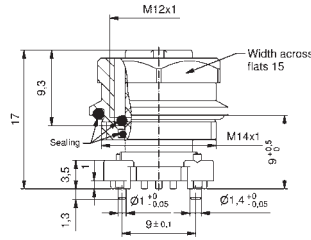


Number of poles	Coding	Rated voltage [V]	Current rating [A]	Description	Part No.
4	A	250	4	SAL-12-1K4-X9/ SMT	Reel: 43-01848TR In bulk: 43-01848
				SAL-12-1K5-X9/ SMT	Reel: 43-01849TR In bulk: 43-01849
				SAL-12-1K8-X9/ SMT	Reel: 43-01965TR In bulk: 43-01965
4	A	250	4	SAL-12S-1K4-X9/ SMT	Reel: 43-01850TR In bulk: 43-01850
				SAL-12S-1K5-X9/ SMT	Reel: 43-01851TR In bulk: 43-01851
				SAL-12S-1K8-X9/ SMT	Reel: 43-02115TR In bulk: 43-02115
	B	30	4	SAL-12B-1K4-X9/ SMT	Reel: 43-02032TR In bulk: 43-02032
				SAL-12B-1K5-X9/ SMT	Reel: 43-02033TR In bulk: 43-02033
				SAL-12D-1K4-X9/ SMT	Reel: 43-02034TR In bulk: 43-02034
5	A	60	4	SAL-12-1S4-X9/ SMT	Reel: 43-02026TR In bulk: 43-02026
				SAL-12-1S5-X9/ SMT	Reel: 43-02027TR In bulk: 43-02027
				SAL-12-1S8-X9/ SMT	Reel: 43-02028TR In bulk: 43-02028
4	A	250	4	SAL-12S-1S4-X9/ SMT	Reel: 43-02118TR In bulk: 43-02118
				SAL-12S-1S5-X9/ SMT	Reel: 43-02119TR In bulk: 43-02119
				SAL-12S-1S8-X9/ SMT	Reel: 43-02120TR In bulk: 43-02120
	B	30	4	SAL-12B-1S4-X9/ SMT	Reel: 43-02030TR In bulk: 43-02030
				SAL-12B-1S5-X9/ SMT	Reel: 43-02031TR In bulk: 43-02031

M12x1 SOCKETS SMT

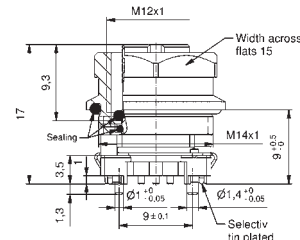
Front panel mounting, installation height 9 mm

Female connector

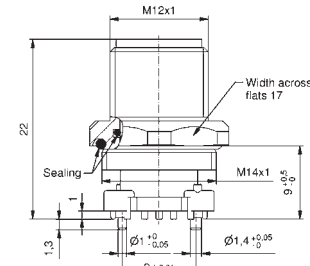


	Number of poles	Coding	Rated voltage [V]	Current rating [A]	Installation height [mm]	Description	Part No.
Female connector	4	A	250	4	9	SAL-12-FK4-X9/14/SMT	Reel: 43-01852TR In bulk: 43-01852
	5	A	60	4	9	SAL-12-FK5-X9/14/SMT	Reel: 43-01853TR In bulk: 43-01853
	8	A	30	2	9	SAL-12-FK8-X9/14/SMT	Reel: 43-02116TR In bulk: 43-02116
with shielding	4	A	250	4	9	SAL-12S-FK4-X9/14/SMT	Reel: 43-01854TR In bulk: 43-01854
	5	A	60	4	9	SAL-12S-FK5-X9/14/SMT	Reel: 43-01855TR In bulk: 43-01855
	8	A	30	2	9	SAL-12S-FK8-X9/14/SMT	Reel: 43-02117TR In bulk: 43-02117

with shielding

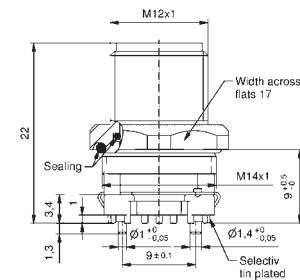


Male connector



Male connector	4	A	250	4	9	SAL-12-FS4-X9/14/SMT	Reel: 43-02109TR In bulk: 43-02109
	5	A	60	4	9	SAL-12-FS5-X9/14/SMT	Reel: 43-02110TR In bulk: 43-02110
	8	A	30	2	9	SAL-12-FS8-X9/14/SMT	Reel: 43-02111TR In bulk: 43-02111
with shielding	4	A	250	4	9	SAL-12S-FS4-X9/14/SMT	Reel: 43-02112TR In bulk: 43-02112
	5	A	60	4	9	SAL-12S-FS5-X9/14/SMT	Reel: 43-02113TR In bulk: 43-02113
	8	A	30	2	9	SAL-12S-FS8-X9/14/SMT	Reel: 43-02114TR In bulk: 43-02114

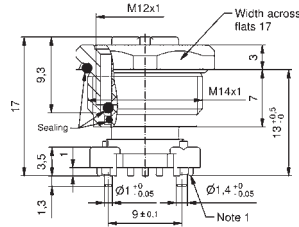
with shielding



M12x1 SOCKETS SMT

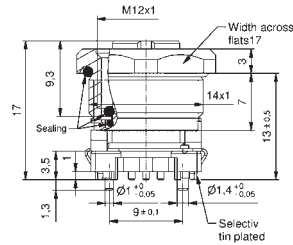
Front panel mounting, installation height 13 mm

Female connector



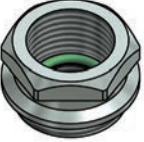
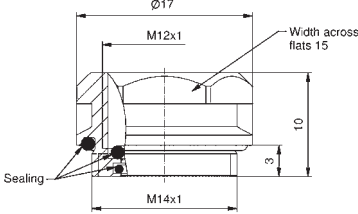

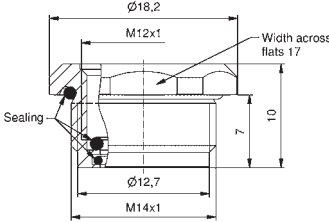

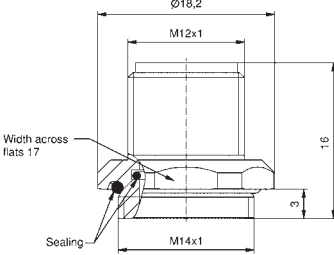

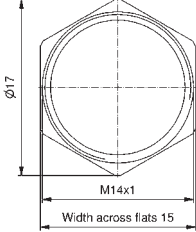
	Number of poles	Coding	Rated voltage [V]	Current rating [A]	Installation height [mm]	Description	Part No.
Female connector	4	A	250	4	13	SAL-12-FK4-X13/14/SMT	Reel: 43-02103TR In bulk: 43-02103
	5	A	60	4	13	SAL-12-FK5-X13/14/SMT	Reel: 43-02104TR In bulk: 43-02104
	8	A	30	2	13	SAL-12-FK8-X13/14/SMT	Reel: 43-02105TR In bulk: 43-02105
with shielding	4	A	250	4	13	SAL-12S-FK4-X13/14/SMT	Reel: 43-02106TR In bulk: 43-02106
	5	A	60	4	13	SAL-12S-FK5-X13/14/SMT	Reel: 43-02107TR In bulk: 43-02107
	8	A	30	2	13	SAL-12S-FK8-X13/14/SMT	Reel: 43-02108TR In bulk: 43-02108

with shielding



M12x1 SOCKETS SMT

Installation components

Socket housing female		Front panel mounting	Size	Width across flats	Installation height [mm]	Description	Part No.
 	✓	M14x1	15	9		43-02129	
 	✓	M14x1	17	13		43-02130	
Socket housing male							
 	✓	M14x1	17	9		43-02131	
Hex nut							
 			15			43-02132	

SECTION 5

PANEL PLUGS MALE/FEMALE





SAL M8x1/M12x1 PANEL PLUG MALE/FEMALE

Nomenclature

S A L - 8 - E S T V M 3 - P

SAL
Sensor Actor Line

Installation size
8 = M8x1/∅ 8 mm
12 = M12x1

Coding
= A-coding
S = A-coding shielded

Design
E = Panel Plug

Gender
K = Female connector
S = Male connector

Contact carrier
= Standard
T = Transparent

Type

P	= Plastic	M8x1
M	= Metal/plastic	M8x1
VM	= Metal	M8x1
O	= with O-ring	M12x1

Number of poles
3 = 3-pos.
4 = 4-pos.
5.1 = 5-pos.
8 = 8-pos.

Type of connection/Installation height
L = Solder cup
P = Dip solder
P3,3 = Dip solder 3.3 mm
Pxx = Installation height one-piece socket

SAL M8x1/M12x1 PANEL PLUG MALE/FEMALE

Product specification

Material	
Contact	CuZn
Contact plating	Nickel plated, gold plated
Contact carrier	PA GF, UL 94 / PA 12 transparent, UL
Sealing	FPM
Socket housing	CuZn, nickel plated
Shielding	CuZn, nickel plated

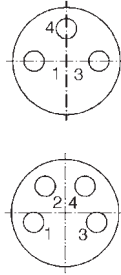
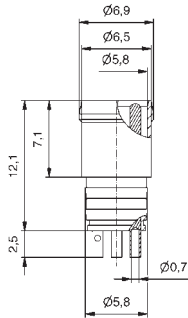
Technical Data	
Information on the following pages are basing on below mentioned IEC-standards.	
Rated voltage	IEC 61076-2-101 / IEC 61076-2-104
Current rating	IEC 61076-2-101 / IEC 61076-2-104
Insulation resistance	IEC 60512
Degree of pollution	IEC 60664-1
Degree of protection	IEC 60529
Mating cycles	IEC 60512-9a

Technical subject to change without notice.

M8x1 PANEL PLUG MALE

Plastic, Solder termination

Male connector, snap-in, plastic dark grey



Number of poles

Coding

Rated voltage [V]

Current rating [A]

Description

Part No.

3

50 V AC / 60 V DC

3

SAL-8-ESP3-L

42-01004

4

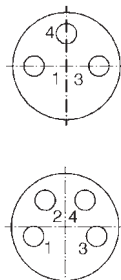
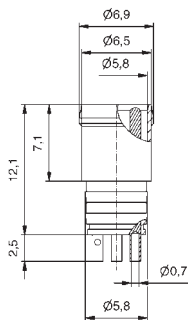
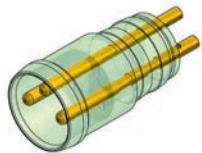
50 V AC / 60 V DC

3

SAL-8-ESP4-L

42-01006

Male connector, snap-in, plastic transparent



3

50 V AC / 60 V DC

3

SAL-8-ESTP3-L

42-01005

4

50 V AC / 60 V DC

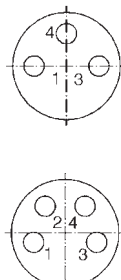
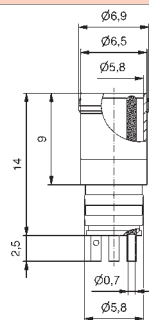
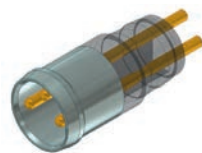
3

SAL-8-ESTP4-L

42-01007

Metal, Solder termination

Male connector, snap-in, metal/plastic transparent



3

50 V AC / 60 V DC

3

SAL-8-ESTM3-L

42-01002

4

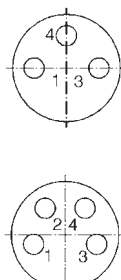
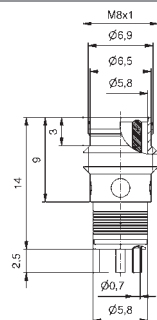
50 V AC / 60 V DC

3

SAL-8-ESTM4-L

42-01003

Male connector, screwable/snap-in, metal



3

50 V AC / 60 V DC

3

SAL-8-ESTVM3-L

42-01008

4

50 V AC / 60 V DC

3


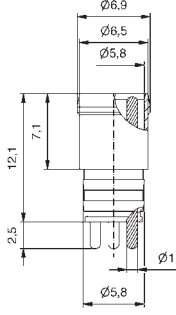
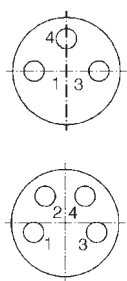
SAL-8-ESTVM4-L

42-01009


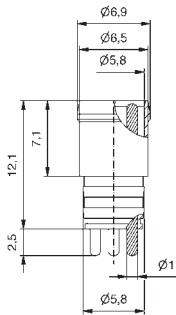
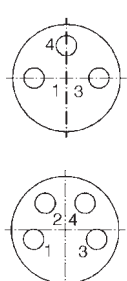
M8x1 PANEL PLUG MALE

Plastic, Dip solder termination

Male connector, snap-in, plastic dark grey

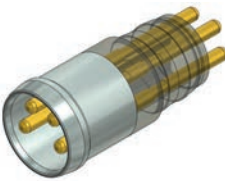
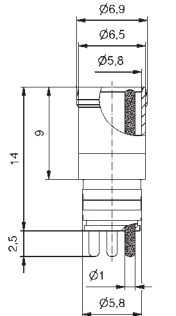
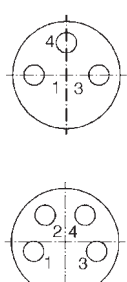
		Number of poles	Coding	Rated voltage [V]	Current rating [A]	Description	Part No.	
			3		50 V AC / 60 V DC	3	SAL-8-ESP3-P	42-01012
			4		50 V AC / 60 V DC	3	SAL-8-ESP4-P	42-01014

Male connector, snap-in, plastic transparent


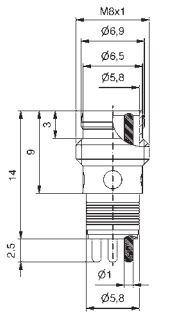
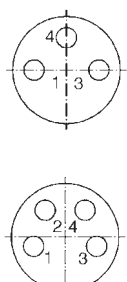
			3		50 V AC / 60 V DC	3	SAL-8-ESTP3-P	42-01013
			4		50 V AC / 60 V DC	3	SAL-8-ESTP4-P	42-01015

Metal, Dip solder termination

Male connector, snap-in, metal/plastic transparent

			3		50 V AC / 60 V DC	3	SAL-8-ESTM3-P	42-01010
			4		50 V AC / 60 V DC	3	SAL-8-ESTM4-P	42-01011

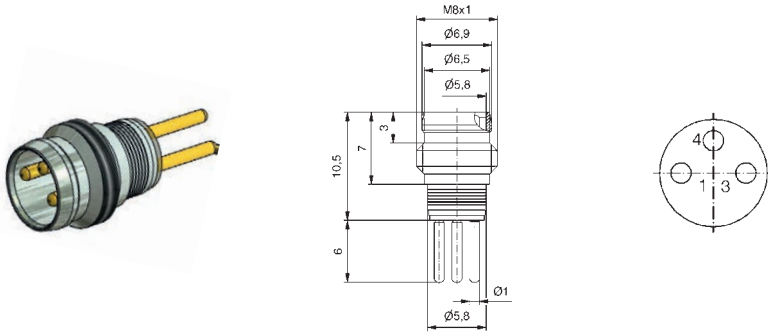
Male connector, screwable/snap-in, metal

			3		50 V AC / 60 V DC	3	SAL-8-ESTVM3-P	42-01016
			4		50 V AC / 60 V DC	3	SAL-8-ESTVM4-P	42-01017

M8x1 PANEL PLUG MALE/FEMALE

Panel plug male, Dip solder termination

Male connector, short version, screwable/snap-in, metal



Number of poles

Coding

Rated voltage [V]

Current rating [A]

Description

Part No.

3

50 V AC / 60 V DC

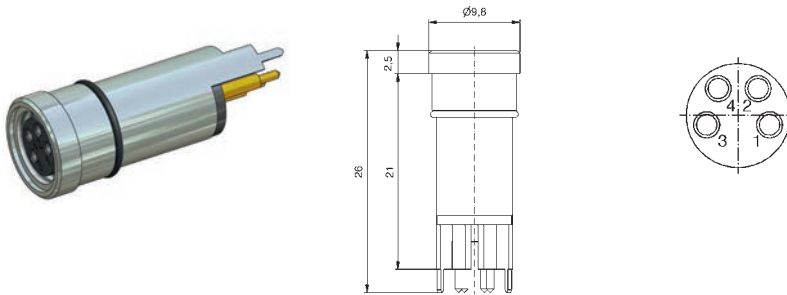
3

SAL-8-ESTVM3-P6

42-01099

Panel plug female, Dip solder termination

Female connector, axial, shielded, metal



4

30

3

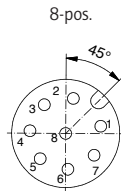
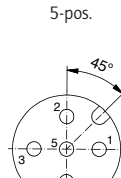
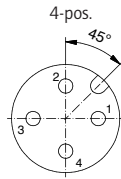
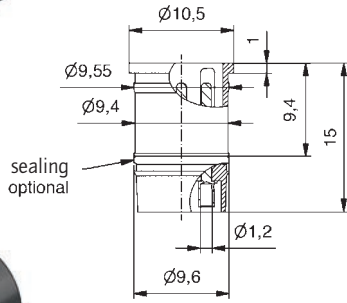
SAL-8S-EKVM4-P

42-01038

M12x1 PANEL PLUG MALE

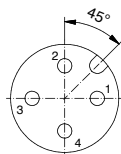
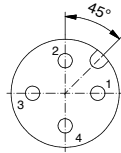
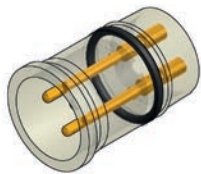
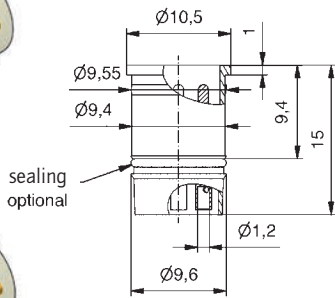
Plastic, Solder termination

Male connector, plastic black



Number of poles	Coding	Rated voltage [V]	Current rating [A]	O-ring	Description	Part No.
4	A	250	4		SAL-12-ES4-L	43-01336
5	A	60	4		SAL-12-ES5.1-L	43-01337
8	A	30	2		SAL-12-ES8-L	43-01637
4	A	250	4	✓	SAL-12-ES04-L	43-01338
5	A	60	4	✓	SAL-12-ES05.1-L	43-01339
8	A	30	2	✓	SAL-12-ES08-L	43-01638

Male connector, with gap for LED, plastic transparent

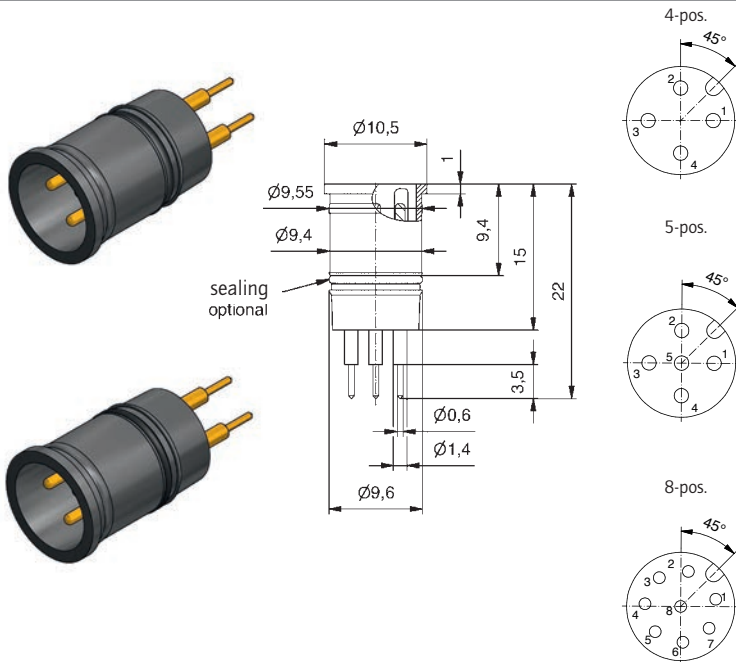


4	A	250	4		SAL-12-EST4-L	43-01682
4	A	250	4	✓	SAL-12-EST04-L	43-01340

M12x1 PANEL PLUG MALE

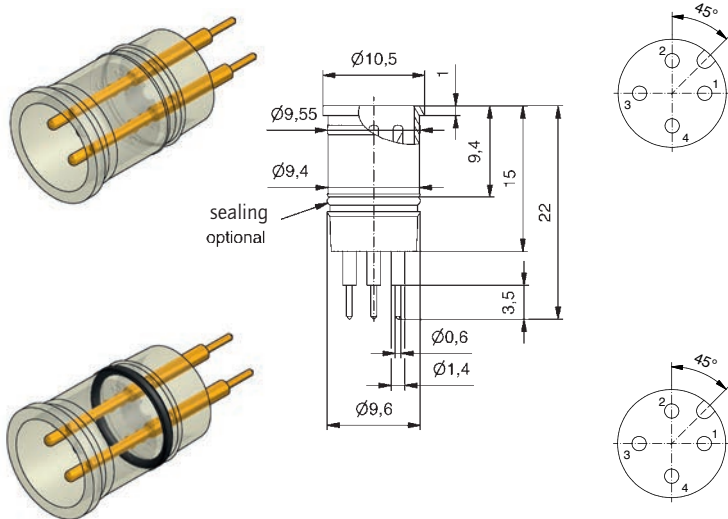
Plastic, Dip solder termination

Male connector, plastic black

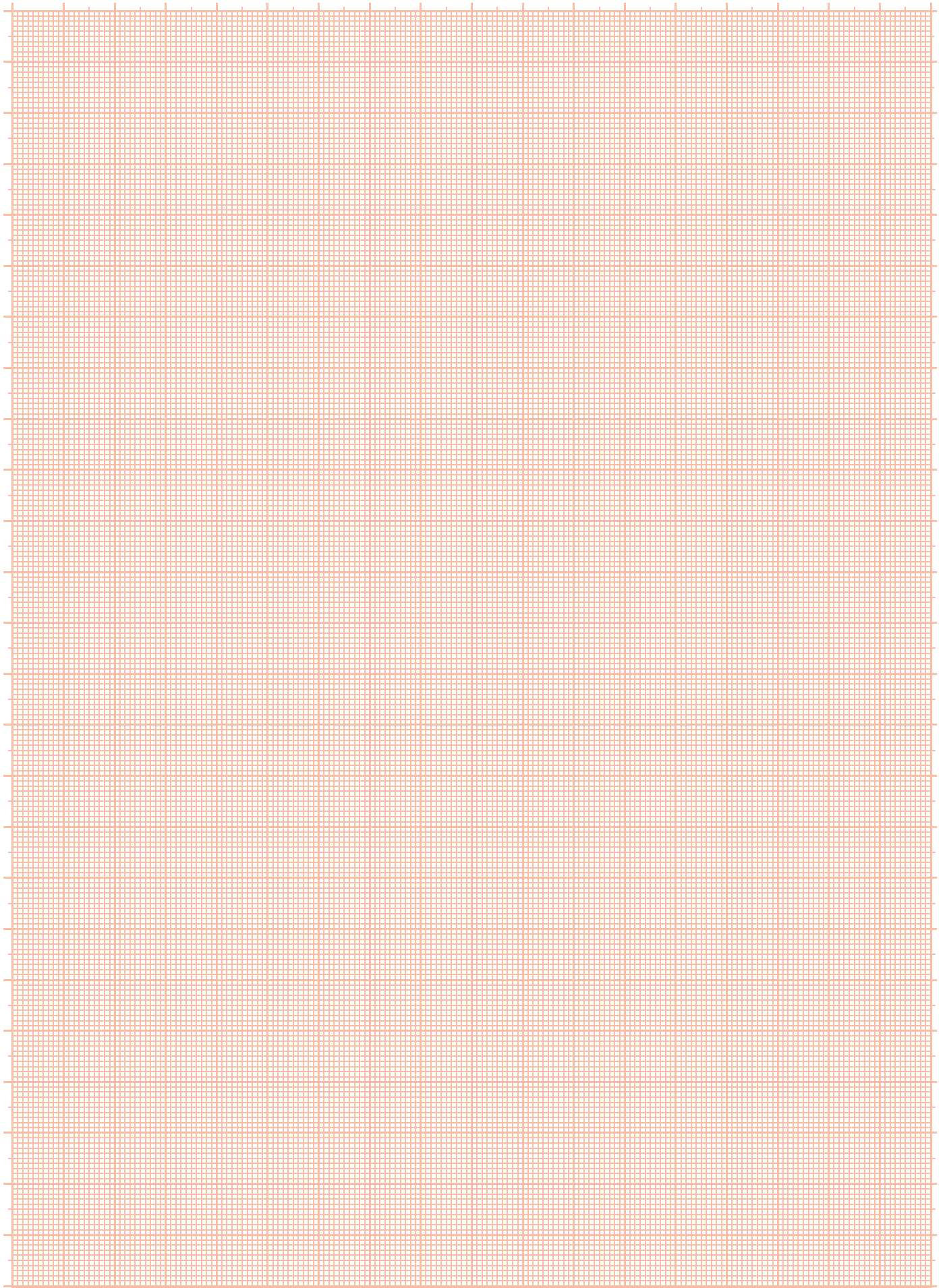


Number of poles	Coding	Rated voltage [V]	Current rating [A]	O-ring	Description	Part No.
4	A	250	4		SAL-12-ES4-P	43-01683
5	A	60	4		SAL-12-ES5.1-P	43-01688
8	A	30	2		SAL-12-ES8-P	43-01635
4	A	250	4	✓	SAL-12-ES04-P	43-01699
5	A	60	4	✓	SAL-12-ES05.1-P	43-01700
8	A	30	2	✓	SAL-12-ES08-P	43-01701

Male connector, with gap for LED, plastic transparent



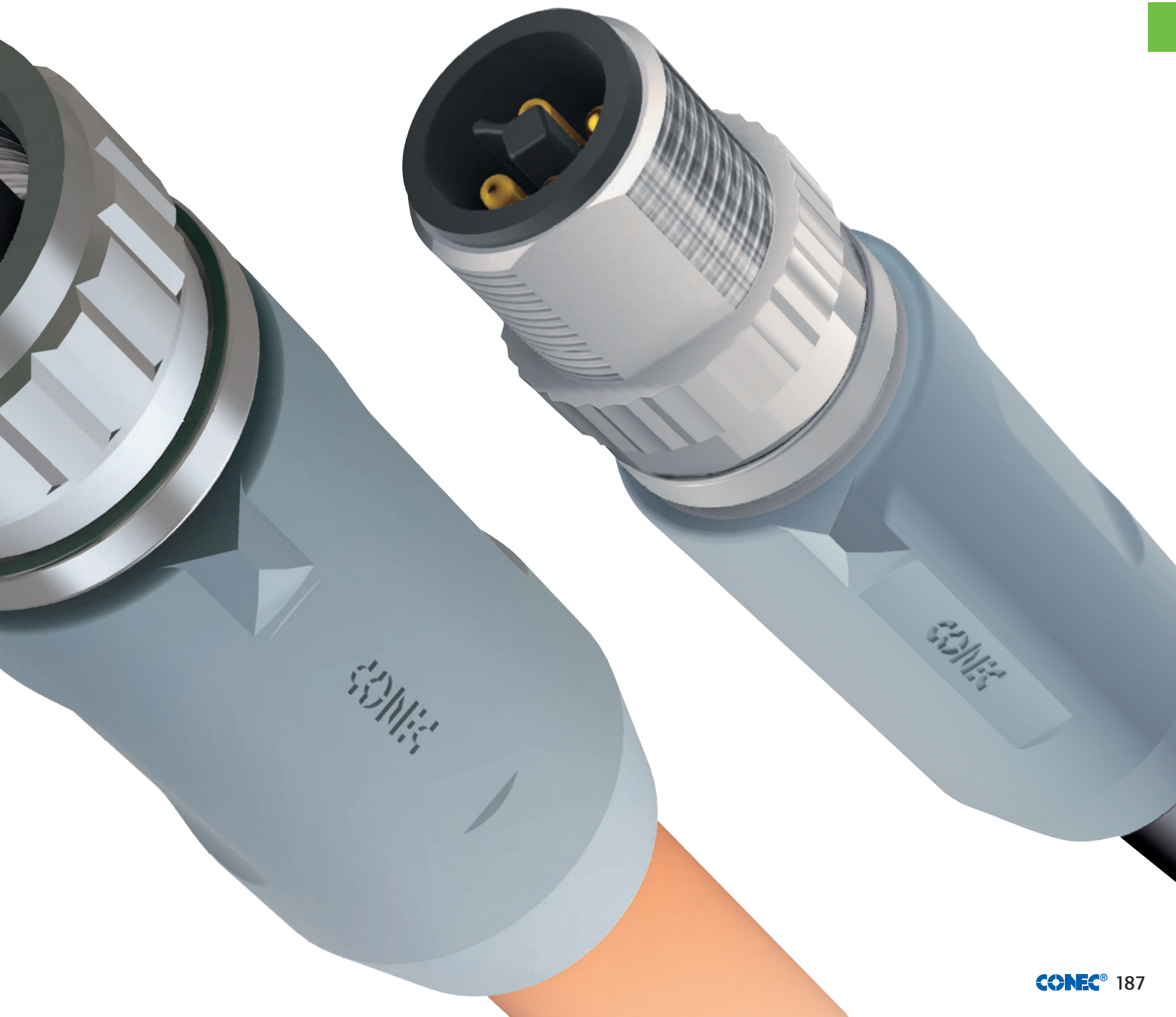
4	A	250	4		SAL-12-EST4-P	43-01636
4	A	250	4	✓	SAL-12-EST04-P	43-01681



SECTION 6

POWER CONNECTORS





SAL M12x1 POWER CONNECTORS OVERMOULDED

Nomenclature

S A L - 1 2 T - R K 4 - 3 / A 2

SAL
Sensor Actor Line

Installation size
12 = M12x1

Coding
SC = S-coding, shielded
T = T-coding

Design
R = Circular connector

Gender
K = Female connector
S = Male connector

Configuration
= Axial

Number of poles
3 = 3-pos.
4 = 4-pos.
2PE = 2-pos. + PE
3PE = 3-pos. + PE

Cable length
XX = Length [m]

Cable quality
A2 = PVC, black
K1 = TPU, black, highflexible, halogenfree, UL
GOA = PVC, shielded, orange, UL
GOB = TPU, shielded, orange, UL

SAL M12x1 POWER CONNECTORS OVERMOULDED

Product specification

Basic material	
Contact	CuZn
Contact plating	Nickel plated, gold plated
Contact carrier	PA6, UL94
Overmould	TPU, UL94, grey
Sealing	FPM
Coupling nut/-screw	GD-Zn, Ni
Shield sleeve	CuZn, Ni

Technical Data	Norm
-----------------------	-------------

Information on the following pages are basing on below mentioned IEC-standards.

Rated voltage	IEC 61076-2-111
Current rating	IEC 61076-2-111
Insulation resistance	IEC 60512
Degree of pollution	IEC 60664-1
Degree of protection	IEC 60529
Mating cycles	IEC 60512-9A

Recommended torque: 0.6 Nm

Technical subject to change without notice.

SAL M12x1 POWER SOCKETS

Nomenclature

S A L - 1 2 T - F K 4 - 0,5

SAL
Sensor Actor Line

Installation size
12 = M12x1

Coding
SC = S-coding
T = T-coding

Design
F = Socket connector

Gender
K = Female connector
S = Male connector

Mounting
= Front panel mounting
H = Back panel mounting
VO = Square flange with sealing

Number of poles
3 = 3-pos.
4 = 4-pos.
2PE = 2-pos. + PE
3PE = 3-pos. + PE

Type of termination
XX = Wire length [m]

SAL M12x1 POWER SOCKETS

Product specification

Basic material	
Contact	CuZn
Contact plating	Nickel plated, gold plated
Contact carrier	PA6, UL94
Sealing	FPM
Socket housing	CuZn, Ni
Counter nut	CuZn, Ni
Sealing compound	Polyurethan-Harz, UL94

Technical Data	Norm
-----------------------	-------------

Information on the following pages are basing on below mentioned IEC-standards.

Rated voltage	IEC 61076-2-111
Current rating	IEC 61076-2-111
Insulation resistance	IEC 60512
Degree of pollution	IEC 60664-1
Degree of protection	IEC 60529
Mating cycles	IEC 60512-9A

Recommended torque: 0.6 Nm

Technical subject to change without notice.

M12x1 POWER CONNECTORS OVERMOULDED T-coding

Female connector axial

PVC, black, LiYY

Contact assignment

Number of poles

Coding

Rated voltage [V]

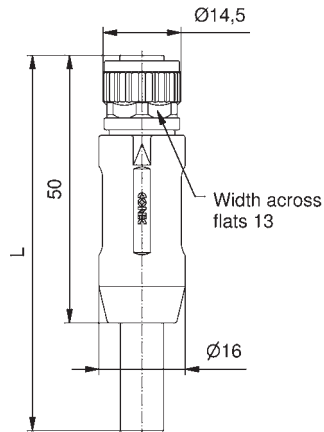
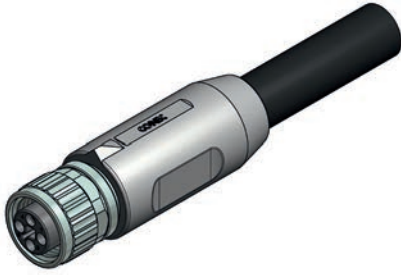
Current rating [A]

Cable length = L [m]

Wire cross section [mm²]

Description

Part No.

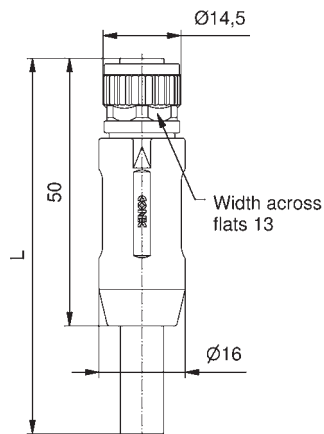


Pin 1 ■
Pin 3 ■
Pin 4 ■

Pin 1 ■
Pin 2 ■
Pin 3 ■
Pin 4 ■

Number of poles	Coding	Rated voltage [V]	Current rating [A]	Cable length = L [m]	Wire cross section [mm ²]	Description	Part No.
3	T	63	12	1,5	2	SAL-12T-RK3-2/A2	43-19044
					3	SAL-12T-RK3-3/A2	43-19045
					5	SAL-12T-RK3-5/A2	43-19046
					10	SAL-12T-RK3-10/A2	43-19047
4	T	63	12	1,5	2	SAL-12T-RK4-2/A2	43-17132
					3	SAL-12T-RK4-3/A2	43-17133
					5	SAL-12T-RK4-5/A2	43-17134
					10	SAL-12T-RK4-10/A2	43-17135

TPU, black, Li9Y11Y



Pin 1 ■
Pin 3 ■
Pin 4 ■

Pin 1 ■
Pin 2 ■
Pin 3 ■
Pin 4 ■

Number of poles	Coding	Rated voltage [V]	Current rating [A]	Cable length = L [m]	Wire cross section [mm ²]	Description	Part No.
3	T	63	12	1,5	2	SAL-12T-RK3-2/K1	43-19083
					3	SAL-12T-RK3-3/K1	43-19084
					5	SAL-12T-RK3-5/K1	43-19085
					10	SAL-12T-RK3-10/K1	43-19086
4	T	63	12	1,5	2	SAL-12T-RK4-2/K1	43-17582
					3	SAL-12T-RK4-3/K1	43-17922
					5	SAL-12T-RK4-5/K1	43-17923
					10	SAL-12T-RK4-10/K1	43-17924

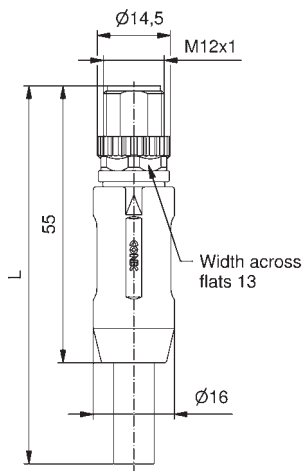
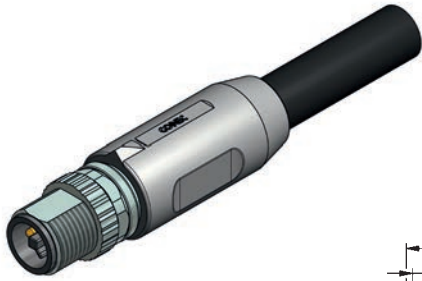
M12x1 POWER CONNECTORS OVERMOULDED T-coding

Male connector axial

PVC, black, LiYY

Contact assignment

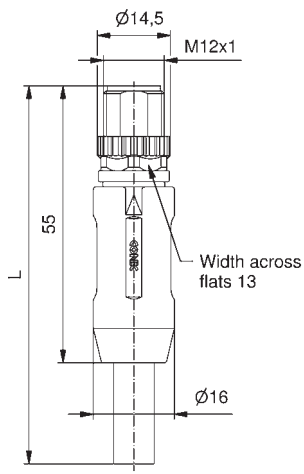
Number of poles	Coding	Rated voltage [V]	Current rating [A]	Cable length = L [m]	Wire cross section [mm ²]	Description	Part No.
3	T	63	12	1,5	2	SAL-12T-RS3-2/A2	43-19048
					3	SAL-12T-RS3-3/A2	43-19049
					5	SAL-12T-RS3-5/A2	43-19050
					10	SAL-12T-RS3-10/A2	43-19051
4	T	63	12	1,5	2	SAL-12T-RS4-2/A2	43-17140
					3	SAL-12T-RS4-3/A2	43-17141
					5	SAL-12T-RS4-5/A2	43-17142
					10	SAL-12T-RS4-10/A2	43-17143



- Pin 1 ■
- Pin 3 ■
- Pin 4 ■

- Pin 1 ■
- Pin 2 ■
- Pin 3 ■
- Pin 4 ■

TPU, black, Li9Y11Y



- Pin 1 ■
- Pin 3 ■
- Pin 4 ■

- Pin 1 ■
- Pin 2 ■
- Pin 3 ■
- Pin 4 ■

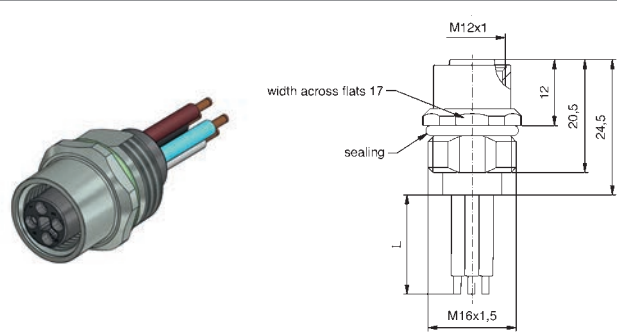
3	T	63	12	1,5	2	SAL-12T-RS3-2/K1	43-19087
					3	SAL-12T-RS3-3/K1	43-19088
					5	SAL-12T-RS3-5/K1	43-19089
					10	SAL-12T-RS3-10/K1	43-19090
4	T	63	12	1,5	2	SAL-12T-RS4-2/K1	43-17581
					3	SAL-12T-RS4-3/K1	43-17930
					5	SAL-12T-RS4-5/K1	43-17931
					10	SAL-12T-RS4-10/K1	43-17932

M12x1 POWER SOCKETS

T-coding

Front panel mounting, wire termination

Female connector M16x1,5 thread

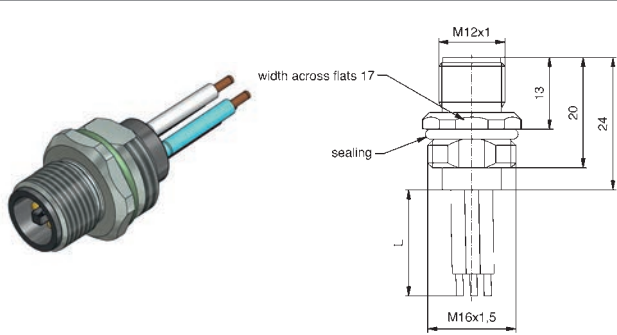


Contact assignment

- Pin 1 ■
- Pin 3 ■
- Pin 4 ■

Number of poles	Coding	Rated voltage [V]	Current rating [A]	Wire material	Wire cross section [AWG]	Wire length = L [m]	Description	Part No.
3	T	63	12	PVC	16	0,5	SAL-12T-FK3-0,5	43-02412
4	T	63	12	PVC	16	0,5	SAL-12T-FK4-0,5	43-02393

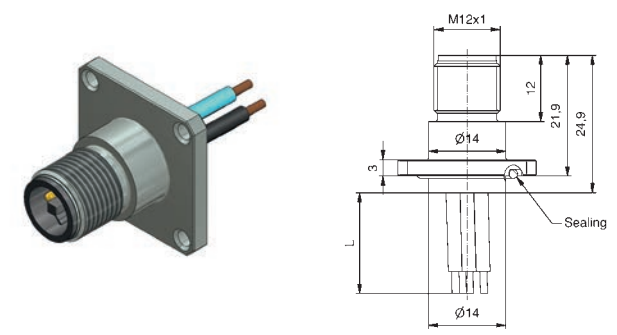
Male connector M16x1,5 thread



- Pin 1 ■
- Pin 3 ■
- Pin 4 ■

3	T	63	12	PVC	16	0,5	SAL-12T-FS3-0,5	43-02413
4	T	63	12	PVC	16	0,5	SAL-12T-FS4-0,5	43-02395

Male connector square flange 26 mm



- Pin 1 ■
- Pin 3 ■
- Pin 4 ■

3	T	63	12	PVC	16	0,5	SAL-12T-FSV03-0,5	43-02498
4	T	63	12	PVC	16	0,5	SAL-12T-FSV04-0,5	43-02499

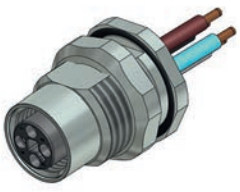

M12x1 POWER SOCKETS

T-coding

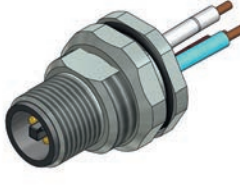

Back panel mounting, wire termination

Female connector M16x1,5 thread

Contact assignment

	Number of poles	Coding	Rated voltage [V]	Current rating [A]	Wire material	Wire cross section [mm ²]	Wire length = L [m]	Description	Part No.
 <p>width across flats 19</p> <p>sealing</p> <p>M12x1</p> <p>22</p> <p>21,5</p> <p>M16x1,5</p>	3	T	63	12	PVC	16	0,5	SAL-12T-FKH3-0,5	43-02416
	 <p>width across flats 19</p> <p>sealing</p> <p>M12x1</p> <p>22</p> <p>21,5</p> <p>M16x1,5</p>	4	T	63	12	PVC	16	0,5	SAL-12T-FKH4-0,5

Male connector M16x1,5 thread

 <p>width across flats 19</p> <p>sealing</p> <p>M12x1</p> <p>21,5</p> <p>24</p> <p>M16x1,5</p>	3	T	63	12	PVC	16	0,5	SAL-12T-FSH3-0,5	43-02417
	 <p>width across flats 19</p> <p>sealing</p> <p>M12x1</p> <p>21,5</p> <p>24</p> <p>M16x1,5</p>	4	T	63	12	PVC	16	0,5	SAL-12T-FSH4-0,5

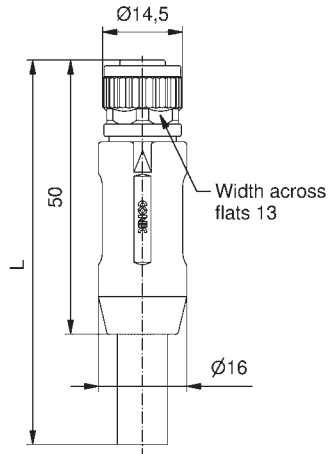
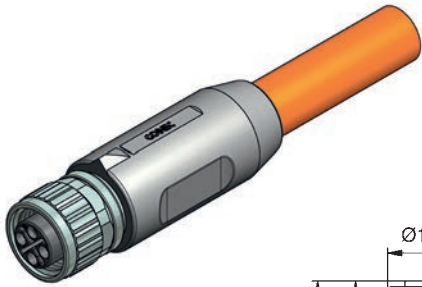
M12x1 POWER CONNECTORS OVERMOULDED
360° shielding, S-coding

Female connector axial

PVC, UL 2570, orange, Li9YCY

Contact assignment

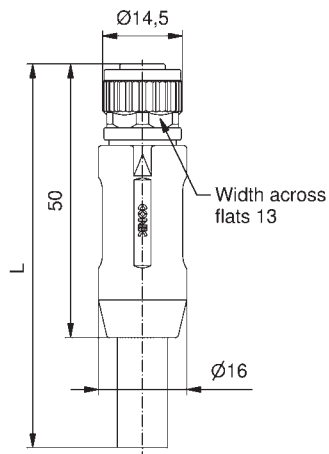
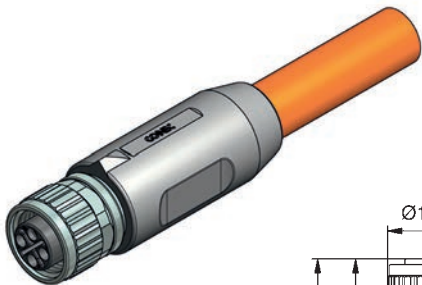
Number of poles	Coding	Rated voltage [V]	Current rating [A]	Cable length = L [m]	Wire cross section [mm ²]	Description	Part No.
2+PE	S	630	12	1,5	2	SAL-12SC-RK2PE-2/GOA	43-19052
					3	SAL-12SC-RK2PE-3/GOA	43-19053
					5	SAL-12SC-RK2PE-5/GOA	43-19054
					10	SAL-12SC-RK2PE-10/GOA	43-19055
3+PE	S	630	12	1,5	2	SAL-12SC-RK3PE-2/GOA	43-17116
					3	SAL-12SC-RK3PE-3/GOA	43-17117
					5	SAL-12SC-RK3PE-5/GOA	43-17118
					10	SAL-12SC-RK3PE-10/GOA	43-17119



Note: Voltage may be present only in mated condition.

TPU, UL 21223, orange, Li9YC11Y

2+PE	S	630	12	1,5	2	SAL-12SC-RK2PE-2/GOB	43-19079
					3	SAL-12SC-RK2PE-3/GOB	43-19080
					5	SAL-12SC-RK2PE-5/GOB	43-19081
					10	SAL-12SC-RK2PE-10/GOB	43-19082
3+PE	S	630	12	1,5	2	SAL-12SC-RK3PE-2/GOB	43-17913
					3	SAL-12SC-RK3PE-3/GOB	43-17914
					5	SAL-12SC-RK3PE-5/GOB	43-17915
					10	SAL-12SC-RK3PE-10/GOB	43-17916



Note: Voltage may be present only in mated condition.

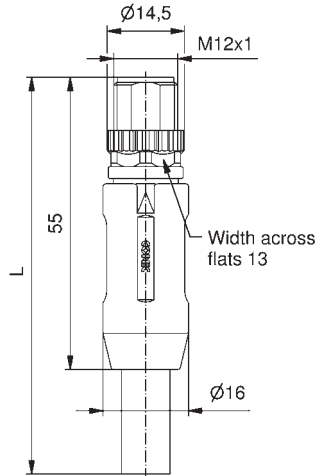
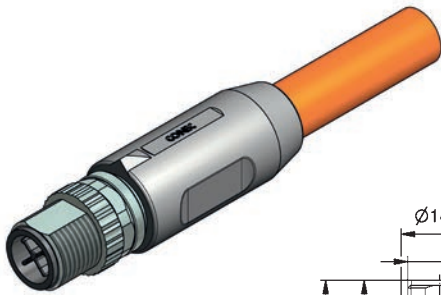
M12x1 POWER CONNECTORS OVERMOULDED

360° shielding, S-coding

Male connector axial

PVC, UL 2570, orange, Li9YCY

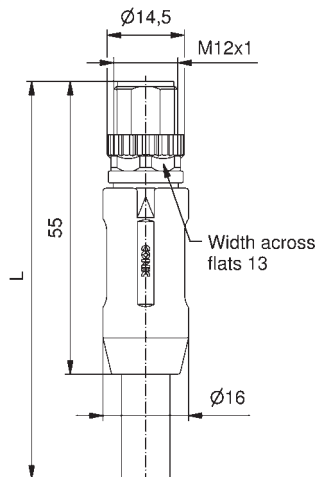
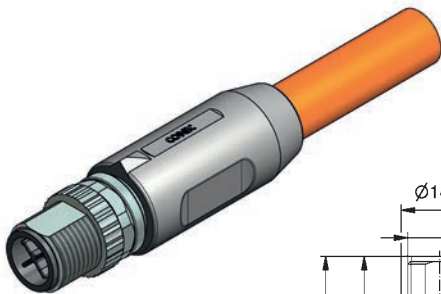
Contact assignment



Note: Voltage may be present only in mated condition.

Number of poles	Coding	Rated voltage [V]	Current rating [A]	Cable length = L [m]	Wire cross section [mm ²]	Description	Part No.
2+PE	S	630	12	2	1,5	SAL-12SC-RS2PE-2/GOA	43-19056
				3		SAL-12SC-RS2PE-3/GOA	43-19057
				5		SAL-12SC-RS2PE-5/GOA	43-19058
				10		SAL-12SC-RS2PE-10/GOA	43-19059
3+PE	S	630	12	2	1,5	SAL-12SC-RS3PE-2/GOA	43-17124
				3		SAL-12SC-RS3PE-3/GOA	43-17125
				5		SAL-12SC-RS3PE-5/GOA	43-17126
				10		SAL-12SC-RS3PE-10/GOA	43-17127

TPU, UL 21223, orange, Li9YC11Y



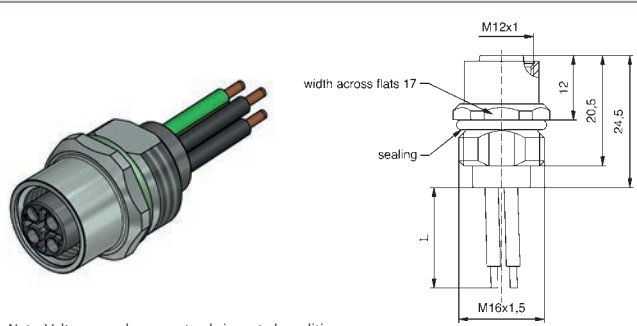
Note: Voltage may be present only in mated condition.

2+PE	S	630	12	2	1,5	SAL-12SC-RS2PE-2/GOB	43-19075
				3		SAL-12SC-RS2PE-3/GOB	43-19076
				5		SAL-12SC-RS2PE-5/GOB	43-19077
				10		SAL-12SC-RS2PE-10/GOB	43-19078
3+PE	S	630	12	2	1,5	SAL-12SC-RS3PE-2/GOB	43-17904
				3		SAL-12SC-RS3PE-3/GOB	43-17905
				5		SAL-12SC-RS3PE-5/GOB	43-17906
				10		SAL-12SC-RS3PE-10/GOB	43-17907

M12x1 POWER SOCKETS S-coding

Front panel mounting, wire termination

Female connector M16x1,5 thread

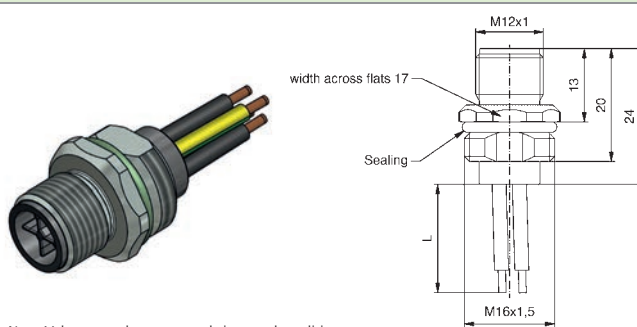


Note: Voltage may be present only in mated condition.

Contact assignment

Pin 1	Pin 2	Pin 3	PE	Number of poles	Coding	Rated voltage [V]	Current rating [A]	Wire material	Wire cross section [AWG]	Wire length = L [m]	Description	Part No.
1		3		2+PE	S	630	12	PVC	16	0,5	SAL-12SC-FK2PE-0,5	43-02410
1	2	3		3+PE	S	630	12	PVC	16	0,5	SAL-12SC-FK3PE-0,5	43-02392

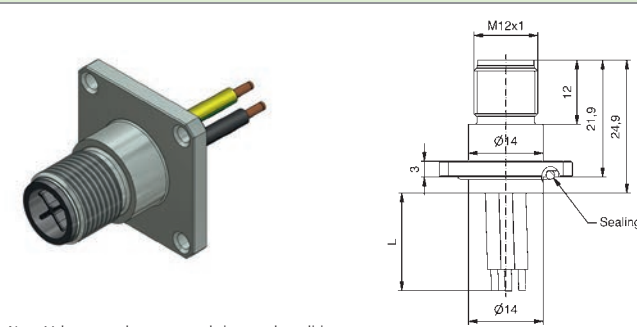
Male connector M16x1,5 thread



Note: Voltage may be present only in mated condition.

Pin 1	Pin 2	Pin 3	PE	Number of poles	Coding	Rated voltage [V]	Current rating [A]	Wire material	Wire cross section [AWG]	Wire length = L [m]	Description	Part No.
1		3		2+PE	S	630	12	PVC	16	0,5	SAL-12SC-FS2PE-0,5	43-02411
1	2	3		3+PE	S	630	12	PVC	16	0,5	SAL-12SC-FS3PE-0,5	43-02394

Male connector square flange 26 mm



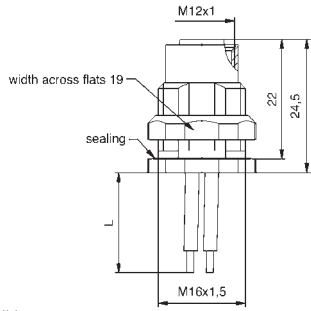
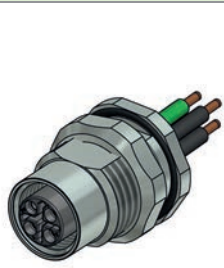
Note: Voltage may be present only in mated condition.

Pin 1	Pin 2	Pin 3	PE	Number of poles	Coding	Rated voltage [V]	Current rating [A]	Wire material	Wire cross section [AWG]	Wire length = L [m]	Description	Part No.
1		3		2+PE	S	630	12	PVC	16	0,5	SAL-12SC-FSV02PE-0,5	43-02496
1	2	3		3+PE	S	630	12	PVC	16	0,5	SAL-12SC-FSV03PE-0,5	43-02497

M12x1 POWER SOCKETS S-coding

Back panel mounting, wire termination

Female connector M16x1,5 thread



Note: Voltage may be present only in mated condition.

Contact assignment

Pin 1
Pin 3
PE

2+PE

Coding

S

Rated voltage [V]

630

Current rating [A]

12

Wire material

PVC

Wire cross section [AWG]

16

Wire length = L [m]

0,5

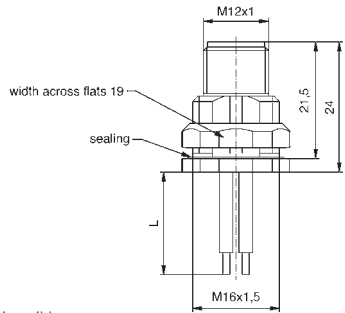
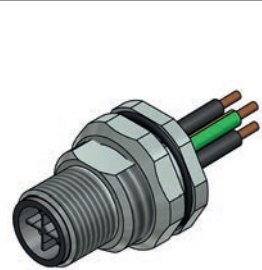
Description

SAL-12SC-FKH2PE-0,5

Part No.

43-02414

Male connector M16x1,5 thread



Note: Voltage may be present only in mated condition.

Pin 1
Pin 2
Pin 3
PE

2+PE

S

630

12

PVC

16

0,5

SAL-12SC-FSH2PE-0,5

43-02415

Pin 1
Pin 2
Pin 3
PE

3+PE

S

630

12

PVC

16

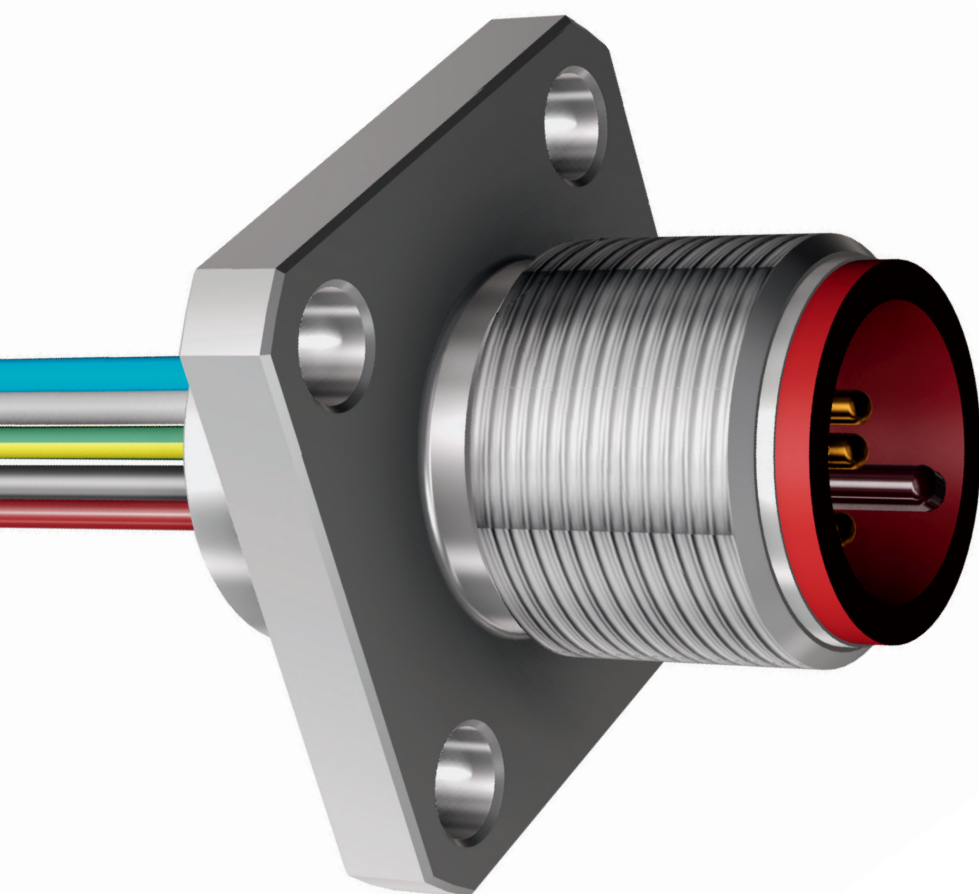
0,5

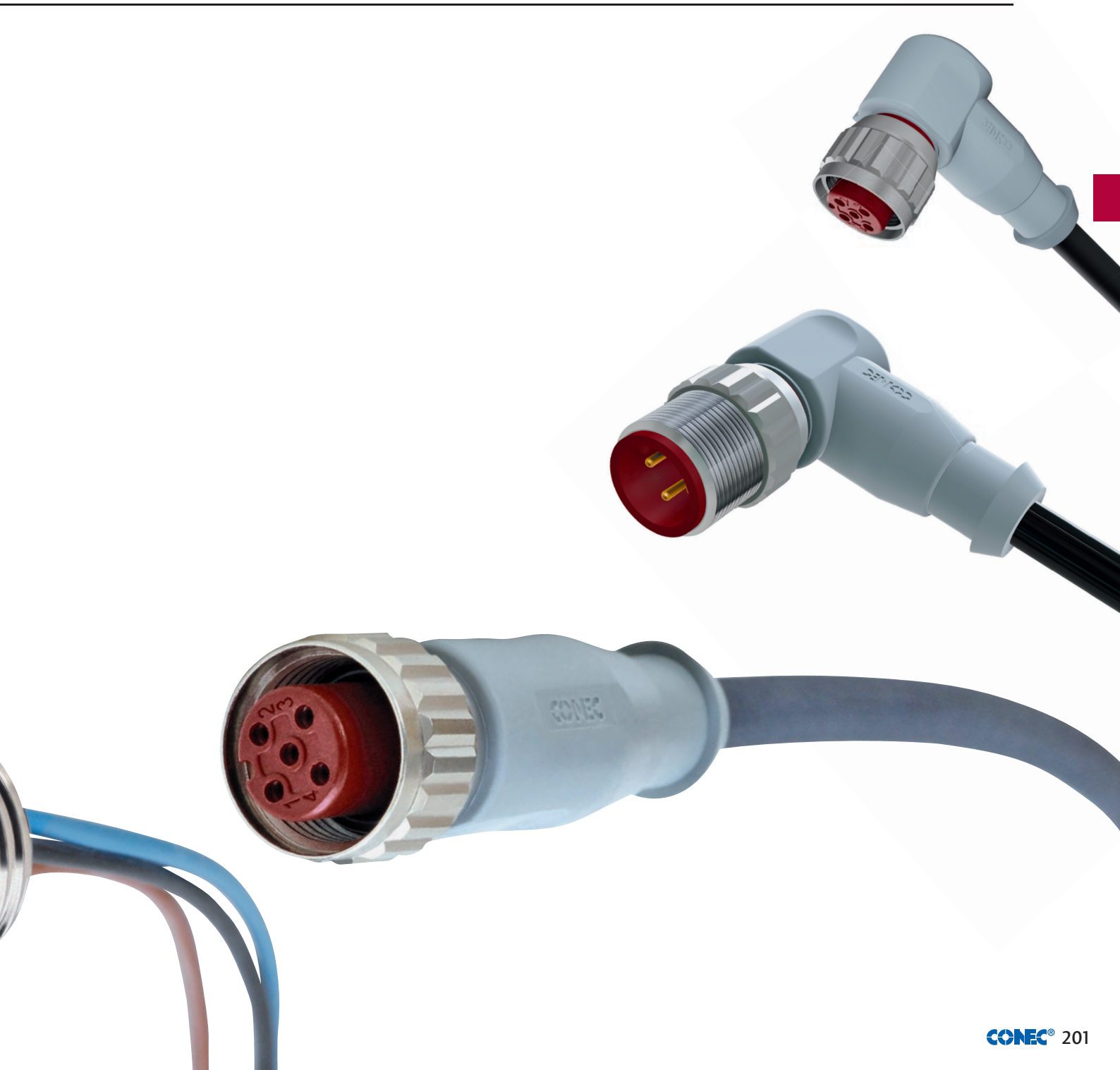
SAL-12SC-FSH3PE-0,5

43-02398

Section 7

HIGH TEMPERATURE CONNECTORS





SAL M12x1 HIGH TEMPERATURE CONNECTORS OVERMOULDED

Nomenclature

S A L - H T - 1 2 - R K W 4 - 3 / S 1

SAL
Sensor Actor Line

Type
HT = High Temperature 125° C

Installation size
12 = M12x1

Coding
= A-coding

Design
R = Circular connector

Gender
K = Female connector
S = Male connector

Configuration
= Axial
W = Angled

Number of poles
3 = 3-pos.
4 = 4-pos.
5 = 5-pos.

Cable length
XX = Length [m]

Cable quality
S1 = TPE, black

SAL M12x1 HIGH TEMPERATURE CONNECTORS OVERMOULDED

Product specification

Basic material	
Contact	CuZn, CuBe
Contact plating	Nickel plated, gold plated
Contact carrier	PBT GF, UL 94
Overmould	Thermoplastic elastomere
Sealing	FPM
Coupling nut/-screw	CuZn, nickel plated

Technical Data

Information on the following pages are basing on below mentioned IEC-standards.

Rated voltage	IEC 61076-2-101
Current rating	IEC 61076-2-101
Insulation resistance	IEC 60512-2
Degree of pollution	IEC 60664-1
Degree of protection	DIN 60529
Mating cycles	IEC 60512-9a

Technical subject to change without notice.

SAL M12x1 HIGH TEMPERATURE SOCKETS

Nomenclature

S A L - H T - 1 2 - F K P 4 - 0,5 - 9

SAL
Sensor Actor Line

Type
HT = High Temperature 125° C

Installation size
12 = M12x1

Coding
= A-coding

Design
F = Socket

Gender
K = Female connector
S = Male connector

Assembly
= Front panel mounting
P = Positioning possible, frontmounting
H = Back panel mounting
VO = Square flange with O-ring

Number of poles
3 = 3-pos.
4 = 4-pos.
5 = 5-pos.

Type of Connection/Installation height
XX = Wire lenght [m]
L = Solder cup
P5,5 = Dip solder ,5 mm
P12 = Dip solder 12 mm
Pxx = Installation height one-piece socket

Screw connection
= M16x1,5
9 = PG9

SAL M12x1 HIGH TEMPERATURE SOCKETS

Product specification

Basic material	
Contact	CuZn, CuBe
Contact plating	Nickel plated, gold plated
Contact carrier	PBT GF, UL 94
Sealing	FPM
Counter nut	CuZn, nickel plated
Socket housing	CuZn, nickel plated
Sealing Compound	Polyurethane-resin, UL 94

Technical Data	
Information on the following pages are basing on below mentioned IEC-standards.	
Rated voltage	IEC 61076-2-101
Current rating	IEC 61076-2-101
Insulation resistance	IEC 60512
Degree of pollution	IEC 60664-1
Degree of protection	DIN 60529
Mating cycles	IEC 60512-9a

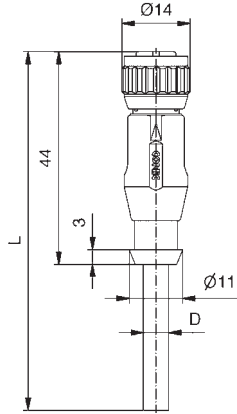
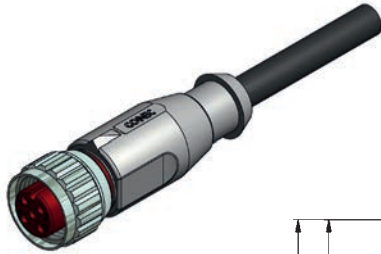
Technical subject to change without notice.

M12x1 HT CONNECTORS OVERMOULDED (up to 125°C)

Female connector axial

TPE, black, Li12Y33X

Contact assignment



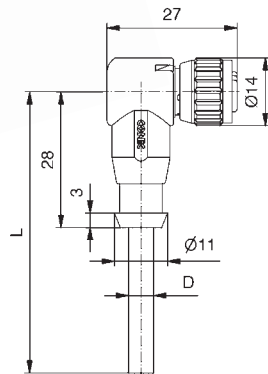
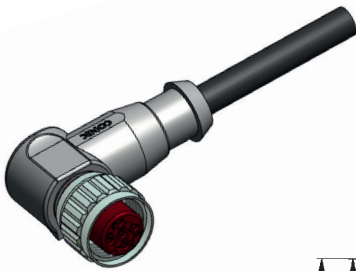
- Pin 1 ■
- Pin 2 ■
- Pin 3 ■
- Pin 4 ■

- Pin 1 ■
- Pin 2 ■
- Pin 3 ■
- Pin 4 ■
- Pin 5 ■

Number of poles	Coding	Rated voltage [V]	Current rating [A]	Cable length = L [m]	Wire cross section [mm ²]	Description	Part No.
4	A	250	4	0,34	2	SAL-HT-12-RK4-2/S1	43-10480
					3	SAL-HT-12-RK4-3/S1	43-10481
					5	SAL-HT-12-RK4-5/S1	43-10482
					10	SAL-HT-12-RK4-10/S1	43-10483
5	A	60	4	0,34	2	SAL-HT-12-RK5-2/S1	43-10484
					3	SAL-HT-12-RK5-3/S1	43-10485
					5	SAL-HT-12-RK5-5/S1	43-10486
					10	SAL-HT-12-RK5-10/S1	43-10487

Female connector angled

TPE, black, Li12Y33X



- Pin 1 ■
- Pin 2 ■
- Pin 3 ■
- Pin 4 ■

- Pin 1 ■
- Pin 2 ■
- Pin 3 ■
- Pin 4 ■
- Pin 5 ■

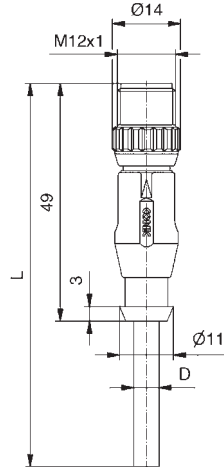
4	A	250	4	0,34	2	SAL-HT-12-RKW4-2/S1	43-10496
					3	SAL-HT-12-RKW4-3/S1	43-10497
					5	SAL-HT-12-RKW4-5/S1	43-10498
					10	SAL-HT-12-RKW4-10/S1	43-10499
5	A	60	4	0,34	2	SAL-HT-12-RKW5-2/S1	43-10500
					3	SAL-HT-12-RKW5-3/S1	43-10501
					5	SAL-HT-12-RKW5-5/S1	43-10502
					10	SAL-HT-12-RKW5-10/S1	43-10503

M12x1 HT CONNECTORS OVERMOULDED (up to 125°C)

Male connector axial

TPE, black, Li12Y33X

Contact assignment



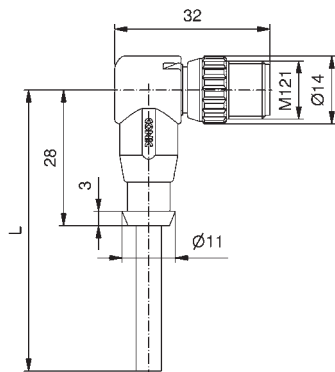
- Pin 1 ■
- Pin 2 ■
- Pin 3 ■
- Pin 4 ■

- Pin 1 ■
- Pin 2 ■
- Pin 3 ■
- Pin 4 ■
- Pin 5 ■

Number of poles	Coding	Rated voltage [V]	Current rating [A]	Cable length = L [m]	Wire cross section [mm ²]	Description	Part No.
4	A	250	4	0,34	2	SAL-HT-12-RS4-2/S1	43-10488
					3	SAL-HT-12-RS4-3/S1	43-10489
					5	SAL-HT-12-RS4-5/S1	43-10490
					10	SAL-HT-12-RS4-10/S1	43-10491
5	A	60	4	0,34	2	SAL-HT-12-RS5-2/S1	43-10492
					3	SAL-HT-12-RS5-3/S1	43-10493
					5	SAL-HT-12-RS5-5/S1	43-10494
					10	SAL-HT-12-RS5-10/S1	43-10495

Male connector angled

TPE, black, Li12Y33X



- Pin 1 ■
- Pin 2 ■
- Pin 3 ■
- Pin 4 ■

- Pin 1 ■
- Pin 2 ■
- Pin 3 ■
- Pin 4 ■
- Pin 5 ■

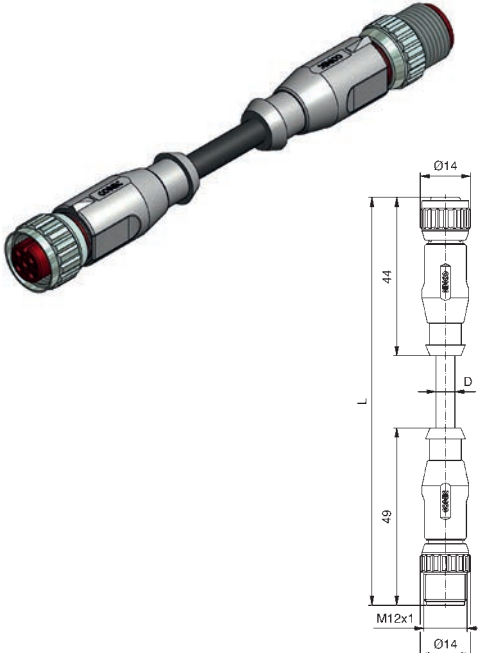
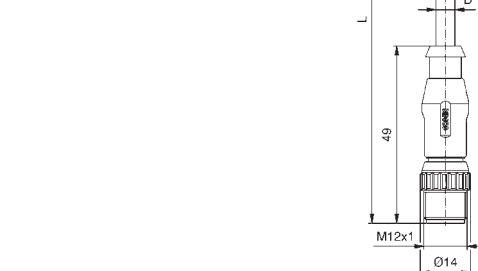
4	A	250	4	0,34	2	SAL-HT-12-RSW4-2/S1 / A1090	43-14783
					3	SAL-HT-12-RSW4-3/S1 / A1090	43-14784
					5	SAL-HT-12-RSW4-5/S1 / A1090	43-14785
					10	SAL-HT-12-RSW4-10/S1 / A1090	43-14786
5	A	60	4	0,34	2	SAL-HT-12-RSW5-2/S1 / A1090	43-14787
					3	SAL-HT-12-RSW5-3/S1 / A1090	43-14788
					5	SAL-HT-12-RSW5-5/S1 / A1090	43-14789
					10	SAL-HT-12-RSW5-10/S1 / A1090	43-14790

M12x1 HT CONNECTORS OVERMOULDED (up to 125 °C)
Connecting cable

Female connector axial
Male connector axial

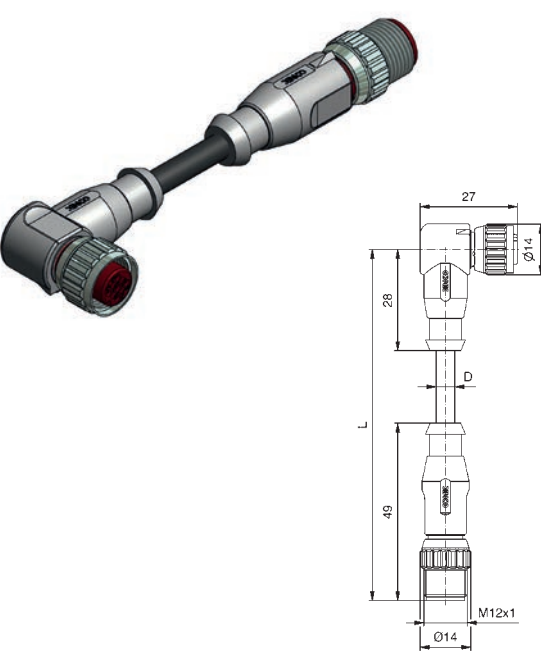
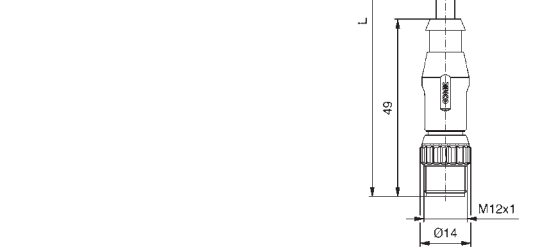
TPE, black, Li12Y33X

Contact assignment

	Number of poles	Coding	Rated voltage [V]	Current rating [A]	Cable length = L [m]	Wire cross section [mm ²]	Description	Part No.
 <p>Pin 1 ■ Pin 2 ■ Pin 3 ■ Pin 4 ■</p>	4	A	250	4	0,34	0,3	SAL-HT-12-RK4-RS4-0,3/S1	43-10900
						0,6	SAL-HT-12-RK4-RS4-0,6/S1	43-10901
						1,5	SAL-HT-12-RK4-RS4-1,5/S1	43-10902
						3	SAL-HT-12-RK4-RS4-3/S1	43-10903
 <p>Pin 1 ■ Pin 2 ■ Pin 3 ■ Pin 4 ■ Pin 5 ■</p>	5	A	60	4	0,34	0,3	SAL-HT-12-RK5-RS5-0,3/S1	43-10904
						0,6	SAL-HT-12-RK5-RS5-0,6/S1	43-10905
						1,5	SAL-HT-12-RK5-RS5-1,5/S1	43-10906
						3	SAL-HT-12-RK5-RS5-3/S1	43-10907

Female connector angled
Male connector axial

TPE, black, Li12Y33X

 <p>Pin 1 ■ Pin 2 ■ Pin 3 ■ Pin 4 ■</p>	4	A	250	4	0,34	0,3	SAL-HT-12-RKW4-RS4-0,3/S1	43-10908
						0,6	SAL-HT-12-RKW4-RS4-0,6/S1	43-10909
						1,5	SAL-HT-12-RKW4-RS4-1,5/S1	43-10910
						3	SAL-HT-12-RKW4-RS4-3/S1	43-10911
 <p>Pin 1 ■ Pin 2 ■ Pin 3 ■ Pin 4 ■ Pin 5 ■</p>	5	A	60	4	0,34	0,3	SAL-HT-12-RKW5-RS5-0,3/S1	43-10912
						0,6	SAL-HT-12-RKW5-RS5-0,6/S1	43-10913
						1,5	SAL-HT-12-RKW5-RS5-1,5/S1	43-10914
						3	SAL-HT-12-RKW5-RS5-3/S1	43-10915

M12x1 HT SOCKETS (up to 125°C)

Front panel mounting, wire termination

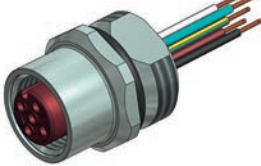
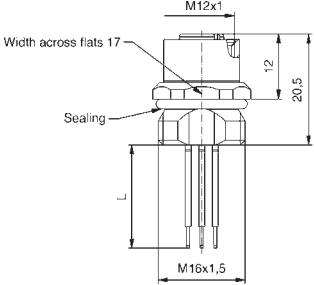














Female connector, M16x1.5 thread

Contact assignment

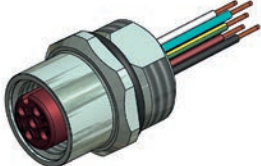
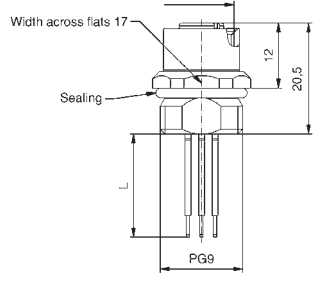





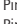








Number of poles	Coding	Rated voltage [V]	Current rating [A]	Wire material	Wire cross section [AWG]	Wire length = L [m]
4	A	250	4	Copolymer	24	0,5
5	A	60	4	Copolymer	24	0,5
5	A	60	4	Copolymer	24	0,5

Description

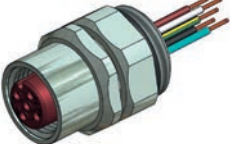
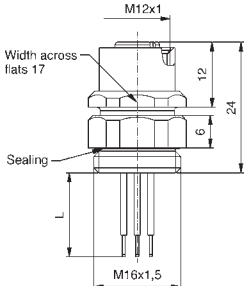

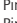












Part No.

 	Pin 1  Pin 2  Pin 3  Pin 4 	SAL-HT-12-FK4-0,5	43-01022
	Pin 1  Pin 2  Pin 3  Pin 4  Pin 5 	SAL-HT-12-FK5-0,5	43-01023
	Pin 1  Pin 2  Pin 3  Pin 4  Pin 5 	SAL-HT-12-FK5.1-0,5	43-01046

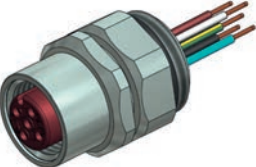
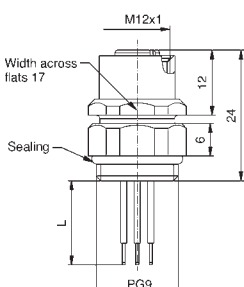














Female connector, PG9 thread

 	Pin 1  Pin 2  Pin 3  Pin 4 	SAL-HT-12-FK4-0,5-9	43-01076
	Pin 1  Pin 2  Pin 3  Pin 4  Pin 5 	SAL-HT-12-FK5-0,5-9	43-01078
	Pin 1  Pin 2  Pin 3  Pin 4  Pin 5 	SAL-HT-12-FK5.1-0,5-9	43-01077

Female connector, M16x1.5 thread, positioning possible

 	Pin 1  Pin 2  Pin 3  Pin 4 	SAL-HT-12-FKP4-0,5	43-01038
	Pin 1  Pin 2  Pin 3  Pin 4  Pin 5 	SAL-HT-12-FKP5-0,5	43-01039
	Pin 1  Pin 2  Pin 3  Pin 4  Pin 5 	SAL-HT-12-FKP5.1-0,5	43-01127

Female connector, PG9 thread, positioning possible

 	Pin 1  Pin 2  Pin 3  Pin 4 	SAL-HT-12-FKP4-0,5-9	43-01112
	Pin 1  Pin 2  Pin 3  Pin 4  Pin 5 	SAL-HT-12-FKP5-0,5-9	43-01113
	Pin 1  Pin 2  Pin 3  Pin 4  Pin 5 	SAL-HT-12-FKP5.1-0,5-9	43-01135

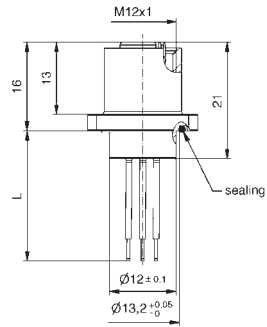
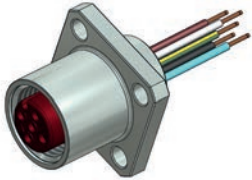
M12x1 HT SOCKETS (up to 125°C)

Front panel mounting, wire termination

Female connector, Square flange 20x20

Contact assignment

Number of poles	Coding	Rated voltage [V]	Current rating [A]	Wire material	Wire cross section [AWG]	Wire length = L [m]	Description	Part No.
4	A	250	4	Copolymer	24	0,5	SAL-HT-12-FV04-0,5-20	43-02324
5	A	60	4	Copolymer	24	0,5	SAL-HT-12-FV05-0,5-20	43-02325



- Pin 1 ■
- Pin 2 ■
- Pin 3 ■
- Pin 4 ■

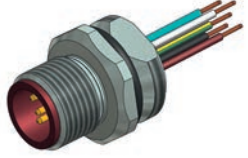
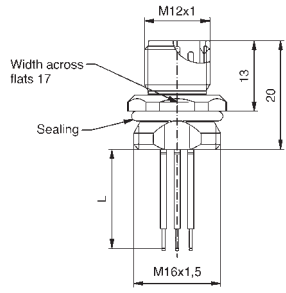
- Pin 1 ■
- Pin 2 ■
- Pin 3 ■
- Pin 4 ■
- Pin 5 ■

M12x1 HT SOCKETS (up to 125°C)

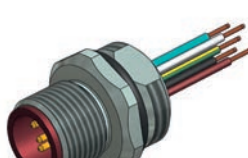
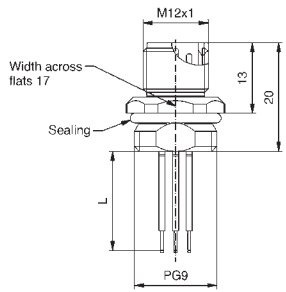
Front panel mounting, wire termination

Male connector, M16x1.5 thread

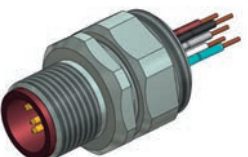
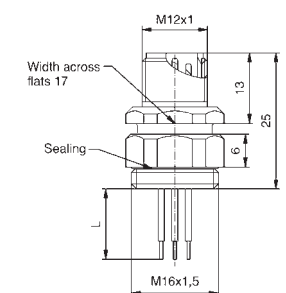
Contact assignment

	Number of poles	Coding	Rated voltage [V]	Current rating [A]	Wire material	Wire cross section [AWG]	Wire length = L [m]	Description	Part No.
 	4	A	250	4	Copolymer	24	0,5	SAL-HT-12-FS4-0,5	43-01024
	5	A	60	4	Copolymer	24	0,5	SAL-HT-12-FS5-0,5	43-01025
	5	A	60	4	Copolymer	24	0,5	SAL-HT-12-FS5.1-0,5	43-01050

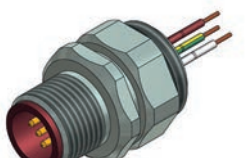
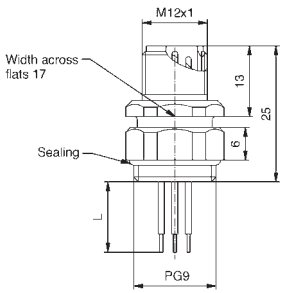
Male connector, PG9 thread

 	4	A	250	4	Copolymer	24	0,5	SAL-HT-12-FS4-0,5-9	43-01085
	5	A	60	4	Copolymer	24	0,5	SAL-HT-12-FS5-0,5-9	43-01087
	5	A	60	4	Copolymer	24	0,5	SAL-HT-12-FS5.1-0,5-9	43-01086

Male connector, M16x1.5 thread, positioning possible

 	4	A	250	4	Copolymer	24	0,5	SAL-HT-12-FSP4-0,5	43-01040
	5	A	60	4	Copolymer	24	0,5	SAL-HT-12-FSP5-0,5	43-01041
	5	A	60	4	Copolymer	24	0,5	SAL-HT-12-FSP5.1-0,5	43-01128

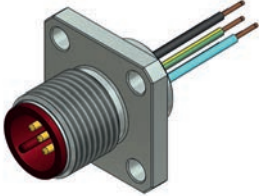
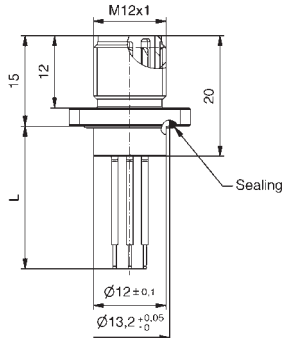
Male connector, PG9 thread, positioning possible

 	4	A	250	4	Copolymer	24	0,5	SAL-HT-12-FSP4-0,5-9	43-01114
	5	A	60	4	Copolymer	24	0,5	SAL-HT-12-FSP5-0,5-9	43-01115
	5	A	60	4	Copolymer	24	0,5	SAL-HT-12-FSP5.1-0,5-9	43-01136

M12x1 HT SOCKETS (up to 125 °C)

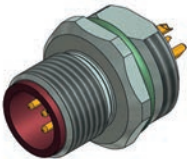
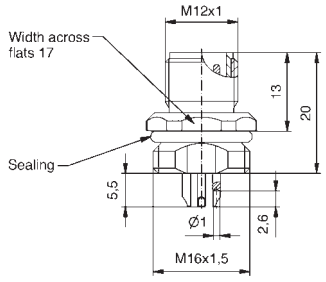
Front panel mounting, wire termination

Male connector, Square flange 20x20

Male connector, Square flange 20x20		Contact assignment	Number of poles	Coding	Rated voltage [V]	Current rating [A]	Wire material	Wire cross section [AWG]	Wire length = L [m]	Description	Part No.
 	<ul style="list-style-type: none"> Pin 1 ■ Pin 2 ■ Pin 3 ■ Pin 4 ■ 		4	A	250	4	Copolymer	24	0,5	SAL-HT-12-FSV04-0,5-20	43-02326
	<ul style="list-style-type: none"> Pin 1 ■ Pin 2 ■ Pin 3 ■ Pin 4 ■ Pin 5 ■ 		5	A	60	4	Copolymer	24	0,5	SAL-HT-12-FSV05-0,5-20	43-02327

Front panel mounting, solder termination

Male connector, M16x1.5 thread

 		4	A	250	4				SAL-HT-FS4-L	43-02357
		5	A	60	4				SAL-HT-FS5.1-L	43-02358

M12x1 HT SOCKETS (up to 125°C)

Back panel mounting, wire termination

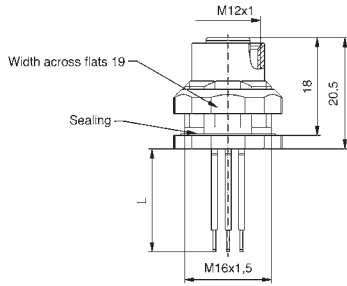
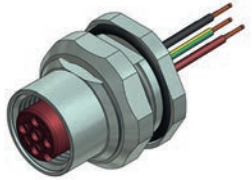
Male connector, M16x1.5 thread

Contact assignment

Number of poles	Coding	Rated voltage [V]	Current rating [A]	Wire material	Wire cross section [AWG]	Wire length = L [m]
4	A	250	4	Copolymer	24	0,5
5	A	60	4	Copolymer	24	0,5
5	A	60	4	Copolymer	24	0,5

Description

Part No.



- Pin 1 ■
- Pin 2 ■
- Pin 3 ■
- Pin 4 ■

SAL-HT-12-FKH4-0,5

43-01121

- Pin 1 ■
- Pin 2 ■
- Pin 3 ■
- Pin 4 ■
- Pin 5 ■

SAL-HT-12-FKH5-0,5

43-01122

- Pin 1 ■
- Pin 2 ■
- Pin 3 ■
- Pin 4 ■
- Pin 5 ■

SAL-HT-12-FKH5.1-0,5

43-01129

Female connector, PG9 thread

- Pin 1 ■
- Pin 2 ■
- Pin 3 ■
- Pin 4 ■

SAL-HT-12-FKH4-0,5-9

43-01119

- Pin 1 ■
- Pin 2 ■
- Pin 3 ■
- Pin 4 ■
- Pin 5 ■

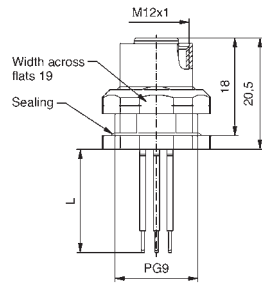
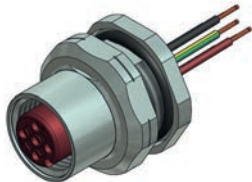
SAL-HT-12-FKH5-0,5-9

43-01120

- Pin 1 ■
- Pin 2 ■
- Pin 3 ■
- Pin 4 ■
- Pin 5 ■

SAL-HT-12-FKH5.1-0,5-9

43-01137



Male connector, M16x1.5 thread

- Pin 1 ■
- Pin 2 ■
- Pin 3 ■
- Pin 4 ■

SAL-HT-12-FSH4-0,5

43-01131

- Pin 1 ■
- Pin 2 ■
- Pin 3 ■
- Pin 4 ■
- Pin 5 ■

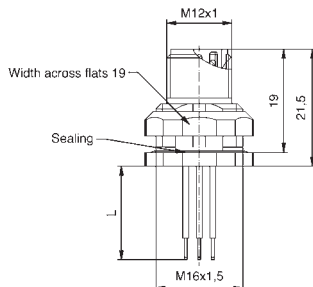
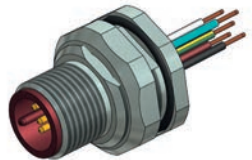
SAL-HT-12-FSH5-0,5

43-01132

- Pin 1 ■
- Pin 2 ■
- Pin 3 ■
- Pin 4 ■
- Pin 5 ■

SAL-HT-12-FSH5.1-0,5

43-01130



Male connector, PG9 thread

- Pin 1 ■
- Pin 2 ■
- Pin 3 ■
- Pin 4 ■

SAL-HT-12-FSH4-0,5-9

43-01133

- Pin 1 ■
- Pin 2 ■
- Pin 3 ■
- Pin 4 ■
- Pin 5 ■

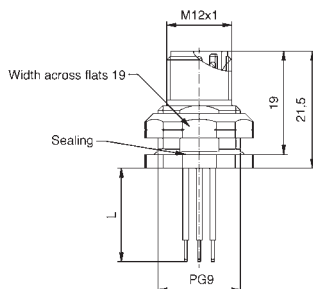
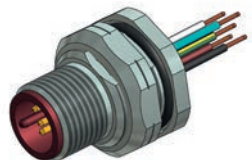
SAL-HT-12-FSH5-0,5-9

43-01134

- Pin 1 ■
- Pin 2 ■
- Pin 3 ■
- Pin 4 ■
- Pin 5 ■

SAL-HT-12-FSH5.1-0,5-9

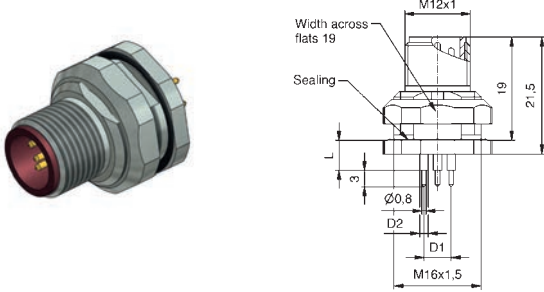
43-01138



M12x1 HT SOCKETS (up to 125°C)

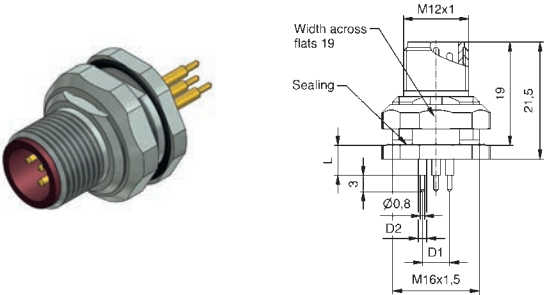
Back panel mounting, dip solder termination

Male connector, M16x1,5 thread, installation height 5.5 mm



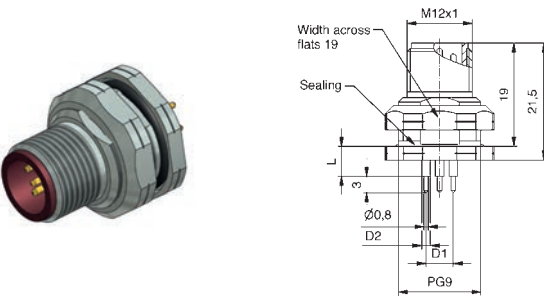
Number of poles	Coding	Rated voltage [V]	Current rating [A]	Installation height [mm]	Description	Part No.
4	A	250	4	5,5	SAL-HT-12-FSH4-P5,5	43-02316
5	A	60	4	5,5	SAL-HT-12-FSH5.1-P5,5	43-02317

Male connector, M16x1,5 thread, installation height 12 mm



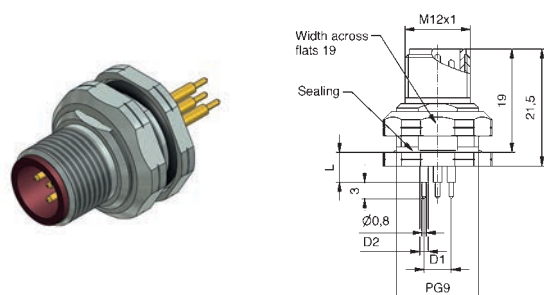
4	A	250	4	12	SAL-HT-12-FSH4-P12	43-02320
5	A	60	4	12	SAL-HT-12-FSH5.1-P12	43-02321

Male connector, PG9 thread, installation height 5.5 mm

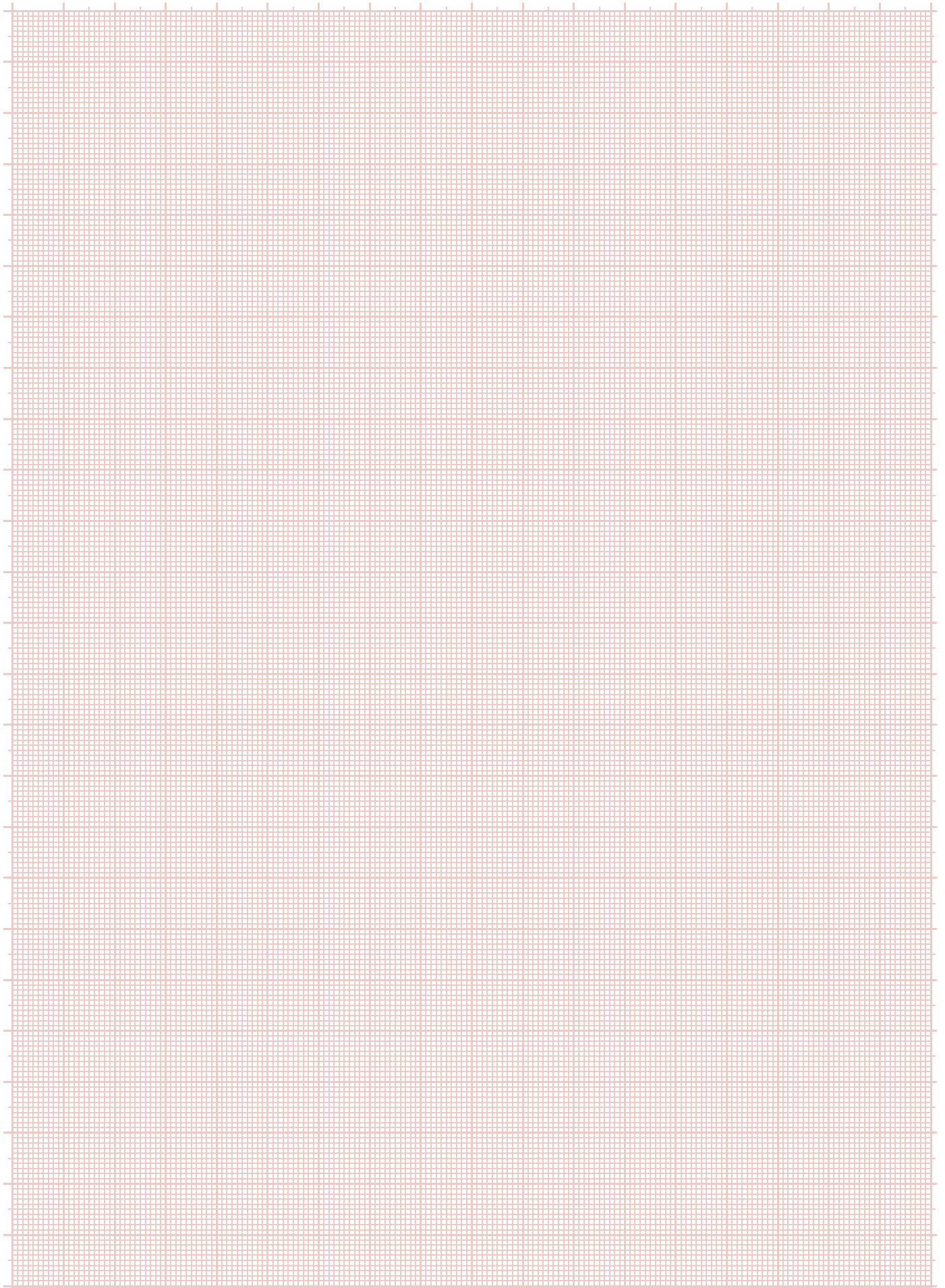


4	A	250	4	5,5	SAL-HT-12-FSH4-P5,5-9	43-02318
5	A	60	4	5,5	SAL-HT-12-FH5.1-P5,5-9	43-02319

Male connector, PG9 thread, installation height 12 mm

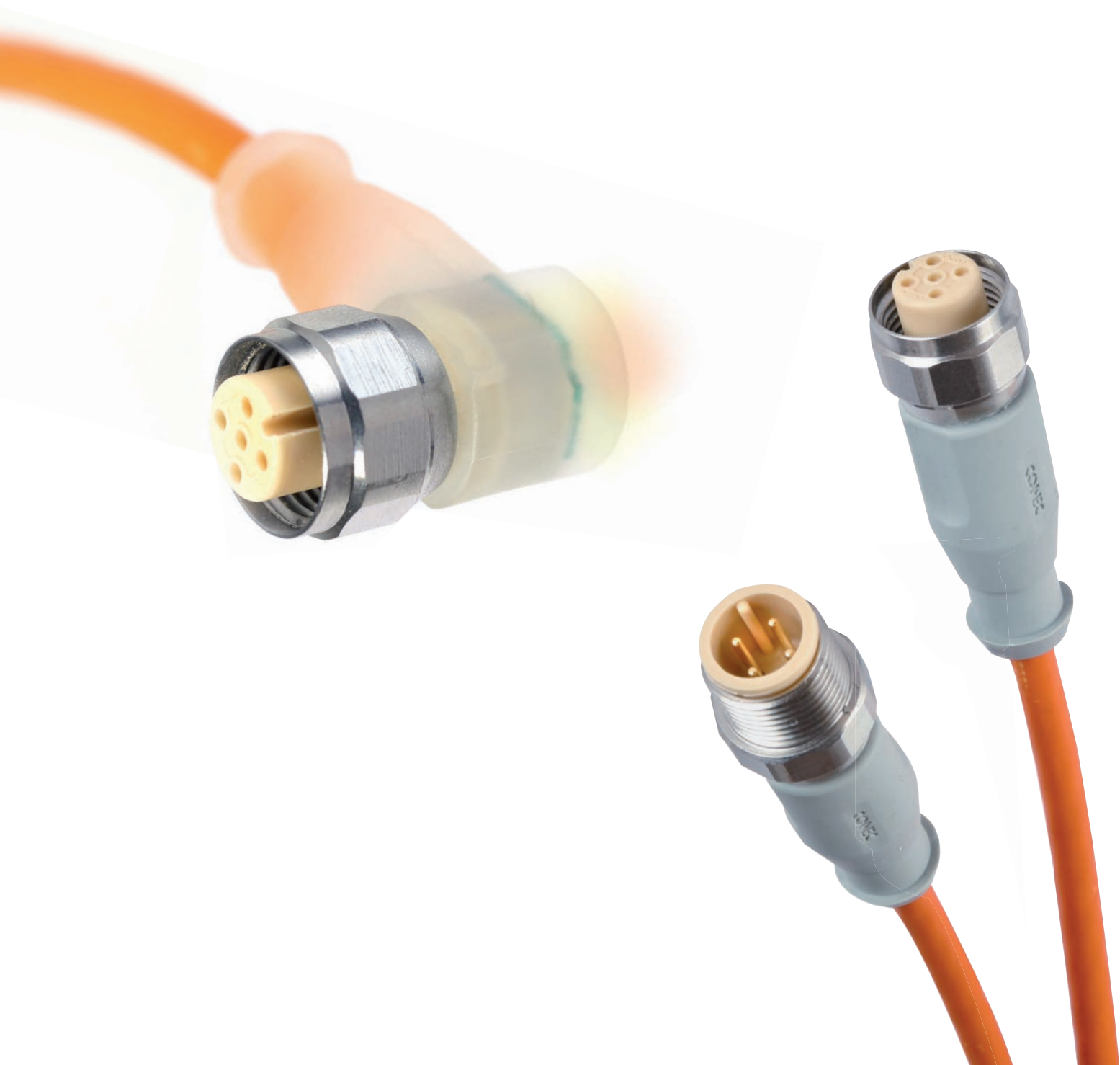


4	A	250	4	12	SAL-HT-12-FSH4-P12-9	43-02322
5	A	60	4	12	SAL-HT-12-FH5.1-P12-9	43-02323



SECTION 8

FOOD & BEVERAGE CONNECTORS





SAL M8x1 / M12x1 FOOD & BEVERAGE CONNECTORS OVERMOULDED

Nomenclature

S A L - F B - 1 2 - R K W 4 - 2 L - 3 / P 1

SAL
Sensor Actor Line

Type
FB = Food & Beverage

Installation size
8 = M8x1
12 = M12x1

Coding
= A-coding

Design
R = Circular connector

Gender
K = Female connector
S = Male connector

Configuration
= Axial
W = Angled

Number of poles
3 = 3-pos.
4 = 4-pos.
5 = 5-pos.

LED-Display
2L = 2-LED
3L = 3-LED

Cable length
XX = Length [m]

Cable quality
P1 = PP, orange

SAL M8x1 / M12x1 FOOD & BEVERAGE CONNECTORS OVERMOULDED

Product specification

Basic material	
Contact	CuZn
Contact plating	Nickel plated, gold plated
Contact carrier	PP GF, UL 94
Overmould	TPE
Sealing	FPM
Coupling nut/-screw	1.4404 stainless steel

Technical Data		
Information on the following pages are basing on below mentioned IEC-standards.		
	M8	M12
Rated voltage	IEC 61076-2-104	IEC 61076-2-101
Current rating	IEC 61076-2-104	IEC 61076-2-101
Insulation resistance	IEC 60512	IEC 60512-2
Degree of pollution	IEC 60664-1	IEC 60664-1
Degree of protection	DIN 40050-9	DIN 40050-9
Mating cycles	IEC 60512-9a	IEC 60512-9a

Recommended torque M8: 0.4 Nm

Recommended torque M12: 0.6 Nm

Technical subject to change without notice.

SAL M8x1/M12x1 FOOD & BEVERAGE SOCKETS

Nomenclature

S A L - F B - 1 2 - F K P 4 - 0,5 - 9

SAL
Sensor Actor Line

Type
FB = Food & Beverage

Installation size
8 = M8x1
12 = M12x1

Coding
= A-coding

Design
F = Socket

Gender
K = Female connector
S = Male connector

Assembly
= Front panel mounting
P = Positioning possible, Front panel mounting
H = Back panel mounting

Number of poles
3 = 3-pos.
4 = 4-pos.
5 = 5-pos.
8 = 8-pos.

Type of Connection/Installation height
XX = Wire length [m]
P5,5 = Dip solder 5.5 mm
P12 = Dip solder 12 mm
Pxx = Installation height one-piece socket

Screw connection
= M8x0.5 by M8x1
= M16x1.5 by M12x1
9 = PG9 by M12x1

SAL M8x1/M12x1 FOOD & BEVERAGE SOCKETS

Product specification

Basic material	
Contact	CuZn
Contact plating	Nickel plated, gold plated
Contact carrier	PP GF, UL 94
Sealing	FPM
Counter nut	1.4404 stainless steel
Socket housing	1.4404 stainless steel
Sealing compound	Polyurethane-resin, UL 94

Technical Data

Information on the following pages are basing on below mentioned IEC-standards.

	M8	M12
Rated voltage	IEC 61076-2-104	IEC 61076-2-101
Current rating	IEC 61076-2-104	IEC 61076-2-101
Insulation resistance	IEC 60512	IEC 60512
Degree of pollution	IEC 60664-1	IEC 60664-1
Degree of protection	DIN 40050-9	DIN 40050-9
Mating cycles	IEC 60512-9a	IEC 60512-9a

Recommended torque M8: 0.6-0.8 Nm

Recommended torque M12: 1-1.2 Nm

Technical subject to change without notice.

M8x1 F&B CONNECTORS OVERMOULDED

Female connector axial

PP, orange, Li12Y9Y

Contact assignment

Number of poles

Coding

Rated voltage [V]

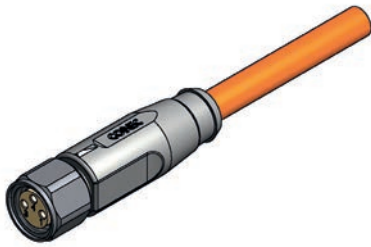
Current rating [A]

Cable length = L [m]

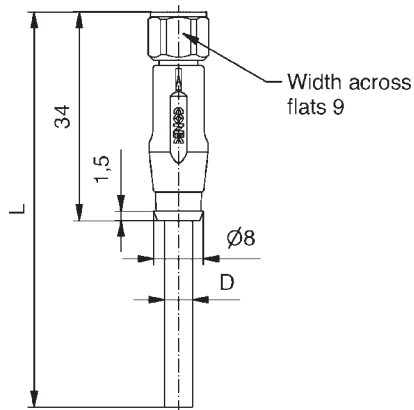
Wire cross section [mm²]

Description

Part No.



Pin 1 ■
Pin 3 ■
Pin 4 ■

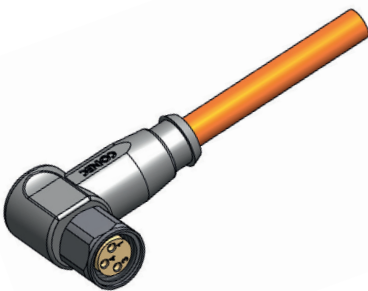


Pin 1 ■
Pin 2 ■
Pin 3 ■
Pin 4 ■

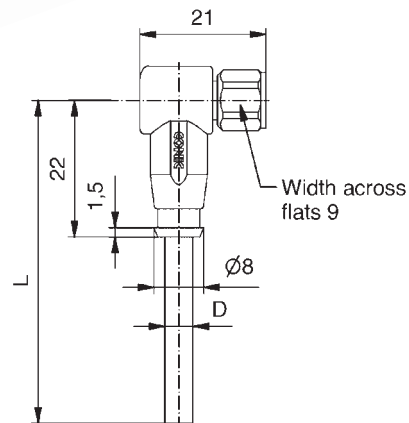
Number of poles	Coding	Rated voltage [V]	Current rating [A]	Cable length = L [m]	Wire cross section [mm ²]	Description	Part No.
3		50 V AC / 60 V DC	3	0,25	2	SAL-FB-8-RK3-2 / P1	42-10468
					3	SAL-FB-8-RK3-3 / P1	42-10469
					5	SAL-FB-8-RK3-5 / P1	42-10470
					10	SAL-FB-8-RK3-10 / P1	42-10471
					2	SAL-FB-8-RK4-2 / P1	42-10472
4		50 V AC / 60 V DC	3	0,25	3	SAL-FB-8-RK4-3 / P1	42-10473
					5	SAL-FB-8-RK4-5 / P1	42-10474
					10	SAL-FB-8-RK4-10 / P1	42-10475
					2	SAL-FB-8-RK4-2 / P1	42-10472

Female connector angled

PP, orange, Li12Y9Y



Pin 1 ■
Pin 3 ■
Pin 4 ■



Pin 1 ■
Pin 2 ■
Pin 3 ■
Pin 4 ■

Number of poles	Coding	Rated voltage [V]	Current rating [A]	Cable length = L [m]	Wire cross section [mm ²]	Description	Part No.
3		50 V AC / 60 V DC	3	0,25	2	SAL-FB-8-RKW3-2 / P1	42-10484
					3	SAL-FB-8-RKW3-3 / P1	42-10485
					5	SAL-FB-8-RKW3-5 / P1	42-10486
					10	SAL-FB-8-RKW3-10 / P1	42-10487
4		50 V AC / 60 V DC	3	0,25	2	SAL-FB-8-RKW4-2 / P1	42-10488
					3	SAL-FB-8-RKW4-3 / P1	42-10489
					5	SAL-FB-8-RKW4-5 / P1	42-10490
					10	SAL-FB-8-RKW4-10 / P1	42-10491

M8x1 F&B CONNECTORS OVERMOULDED with LED

Female connector angled, 2-LED

PP, orange, Li12Y9Y

Contact assignment

Number of poles

Coding

Rated voltage [V]

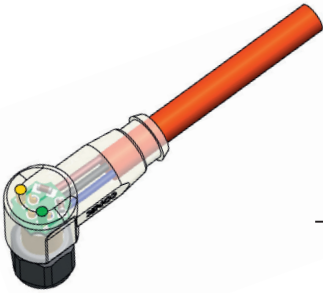
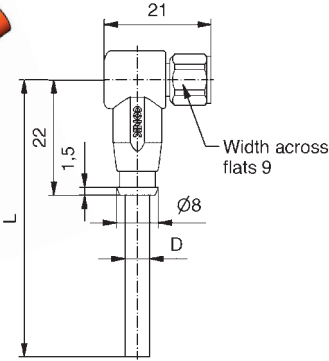
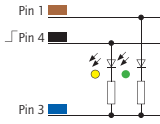
Current rating [A]

Cable length = L [m]

Wire cross section [mm²]

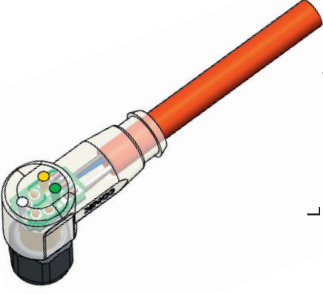
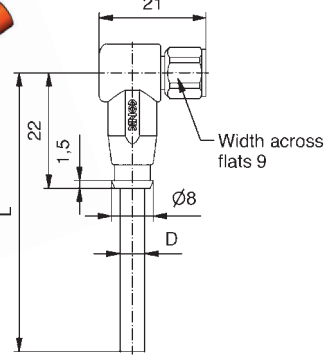
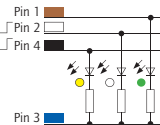
Description

Part No.

  	2				0,25	SAL-FB-8-RKW3-2L-2/P1	42-10500
	3		30	3		SAL-FB-8-RKW3-2L-3/P1	42-10501
	5					SAL-FB-8-RKW3-2L-5/P1	42-10502
	10					SAL-FB-8-RKW3-2L-10/P1	42-10503

Female connector angled, 3-LED

PP, orange, Li12Y9Y

  	2				0,25	SAL-FB-8-RKW4-3L-2/P1	42-10504
	3		30	3		SAL-FB-8-RKW4-3L-3/P1	42-10505
	5					SAL-FB-8-RKW4-3L-5/P1	42-10506
	10					SAL-FB-8-RKW4-3L-10/P1	42-10507

M8x1 F&B CONNECTORS OVERMOULDED

Male connector axial

PP, orange, Li12Y9Y

Contact assignment

Number of poles

Coding

Rated voltage [V]

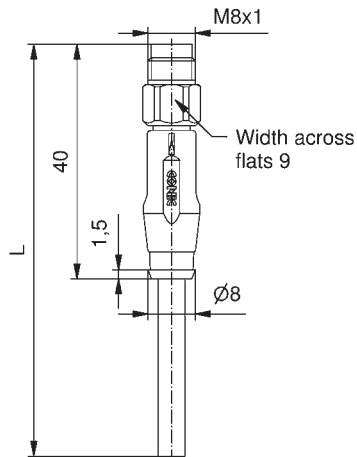
Current rating [A]

Cable Length = L [m]

Wire cross section [mm²]

Description

Part No.



Pin 1 ■
Pin 3 ■
Pin 4 ■

Pin 1 ■
Pin 2 ■
Pin 3 ■
Pin 4 ■

3

50 V AC / 60 V DC

3

0,25

SAL-FB-8-RS3-2 / P1

42-10476

SAL-FB-8-RS3-3 / P1

42-10477

SAL-FB-8-RS3-5 / P1

42-10478

SAL-FB-8-RS3-10 / P1

42-10479

4

50 V AC / 60 V DC

3

0,25

SAL-FB-8-RS4-2 / P1

42-10480

SAL-FB-8-RS4-3 / P1

42-10481

SAL-FB-8-RS4-5 / P1

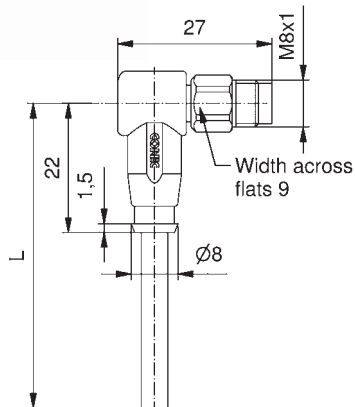
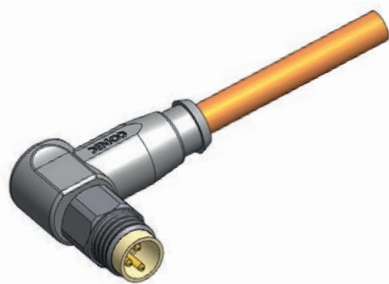
42-10482

SAL-FB-8-RS4-10 / P1

42-10483

Male connector angled

PP, orange, Li12Y9Y



Pin 1 ■
Pin 3 ■
Pin 4 ■

Pin 1 ■
Pin 2 ■
Pin 3 ■
Pin 4 ■

3

50 V AC / 60 V DC

3

0,25

SAL-FB-8-RSW3-2 / P1

42-10492

SAL-FB-8-RSW3-3 / P1

42-10493

SAL-FB-8-RSW3-5 / P1

42-10494

SAL-FB-8-RSW3-10 / P1

42-10495

4

50 V AC / 60 V DC

3

0,25

SAL-FB-8-RSW4-2 / P1

42-10496

SAL-FB-8-RSW4-3 / P1

42-10497

SAL-FB-8-RSW4-5 / P1

42-10498

SAL-FB-8-RSW4-10 / P1

42-10499

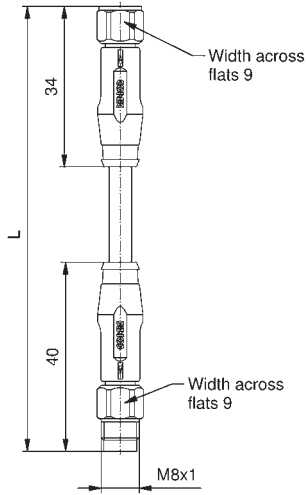
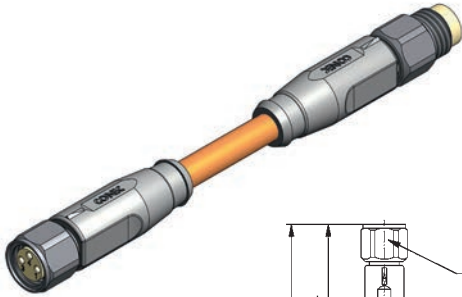
M8x1 F&B CONNECTORS OVERMOULDED
Connecting cable

Female connector axial
Male connector axial

PP, orange, Li12Y9Y

Contact assignment

Number of poles	Coding	Rated voltage [V]	Current rating [A]	Cable length = L [m]	Wire cross section [mm ²]	Description	Part No.
3		50 V AC / 60 V DC	3	0,25	0,3	SAL-FB-8-RK3-RS3-0,3/P1	42-13198
						SAL-FB-8-RK3-RS3-0,6/P1	42-13199
						SAL-FB-8-RK3-RS3-1,5/P1	42-13010
						SAL-FB-8-RK3-RS3-3/P1	42-13200
4		50 V AC / 60 V DC	3	0,25	0,3	SAL-FB-8-RK4-RS4-0,3/P1	42-13201
						SAL-FB-8-RK4-RS4-0,6/P1	42-13160
						SAL-FB-8-RK4-RS4-1,5/P1	42-13202
						SAL-FB-8-RK4-RS4-3/P1	42-13203



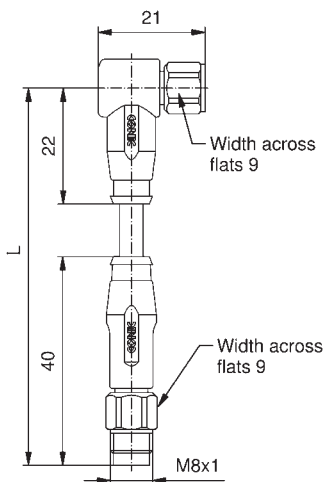
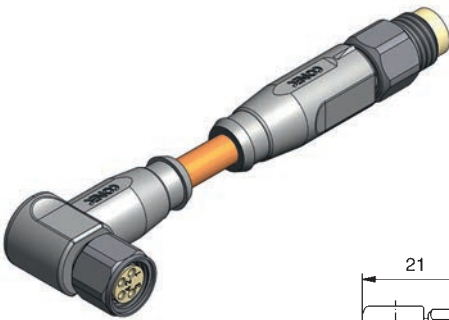
Pin 1 ■
Pin 3 ■
Pin 4 ■

Pin 1 ■
Pin 2 ■
Pin 3 ■
Pin 4 ■

Female connector angled
Male connector axial

PP, orange, Li12Y9Y

3		50 V AC / 60 V DC	3	0,25	0,3	SAL-FB-8-RKW3-RS3-0,3/P1	42-13204
						SAL-FB-8-RKW3-RS3-0,6/P1	42-13205
						SAL-FB-8-RKW3-RS3-1,5/P1	42-13206
						SAL-FB-8-RKW3-RS3-3/P1	42-13207
4		50 V AC / 60 V DC	3	0,25	0,3	SAL-FB-8-RKW4-RS4-0,3/P1	42-13208
						SAL-FB-8-RKW4-RS4-0,6/P1	42-13209
						SAL-FB-8-RKW4-RS4-1,5/P1	42-13210
						SAL-FB-8-RKW4-RS4-3/P1	42-13211



Pin 1 ■
Pin 3 ■
Pin 4 ■

Pin 1 ■
Pin 2 ■
Pin 3 ■
Pin 4 ■

M8x1 F&B CONNECTORS OVERMOULDED
Connecting cable with LED

Female connector angled, 2-fold LED
Male connector axial

PP, orange, Li12Y9Y

Contact assignment

Number of poles

Coding

Rated voltage [V]


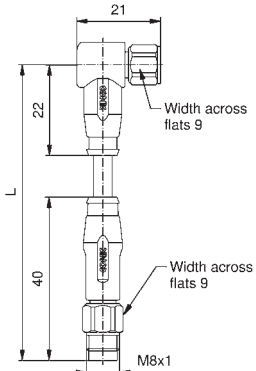
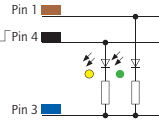
Current rating [A]

Cable length = L [m]

Wire cross section [mm²]

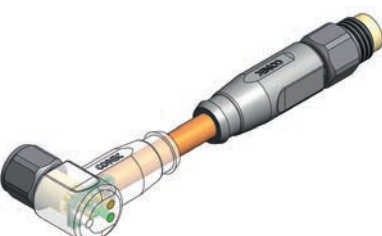
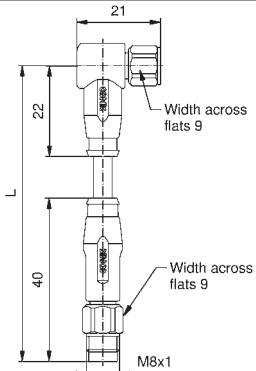
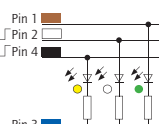
Description

Part No.

  	3		30	3	0,3	SAL-FB-8-RKW3-RS3-2L-0,3/P1	42-13212
	3		30	3	0,6	SAL-FB-8-RKW3-RS3-2L-0,6/P1	42-13213
	3		30	3	1,5	SAL-FB-8-RKW3-RS3-2L-1,5/P1	42-13214
	3		30	3	3	SAL-FB-8-RKW3-RS3-2L-3/P1	42-13215

Female connector angled, 3-fold LED
Male connector axial

PP, orange, Li12Y9Y

  	3		30	3	0,3	SAL-FB-8-RKW4-RS4-3L-0,3/P1	42-13216
	3		30	3	0,6	SAL-FB-8-RKW4-RS4-3L-0,6/P1	42-13217
	3		30	3	1,5	SAL-FB-8-RKW4-RS4-3L-1,5/P1	42-13218
	3		30	3	3	SAL-FB-8-RKW4-RS4-3L-3/P1	42-13219

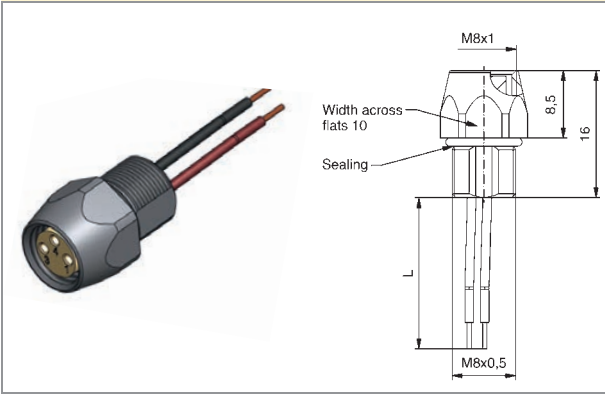
M8x1 F&B SOCKETS

Front panel mounting, wire termination

Female connector, M8x0.5 thread

Contact assignment

Number of poles	Coding	Rated voltage [V]	Current rating [A]	Wire material	Wire cross section [AWG]	Wire Length = L [m]	Description	Part No.
3		50 V AC / 60 V DC	3	PVC	24	0,2	SAL-FB-8-FK3-0,2	42-01018
4		50 V AC / 60 V DC	3	PVC	24	0,2	SAL-FB-8-FK4-0,2	42-01019



- Pin 1 ■
- Pin 3 ■
- Pin 4 ■

- Pin 1 ■
- Pin 2 ■
- Pin 3 ■
- Pin 4 ■

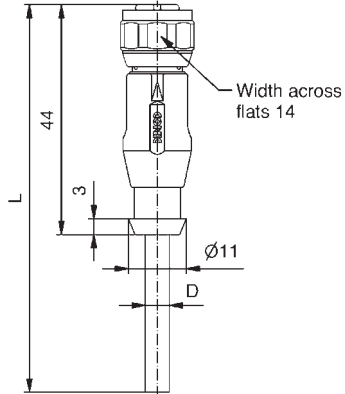
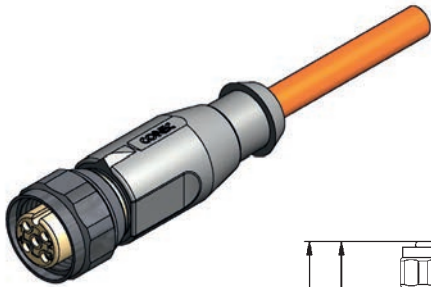
M12x1 F&B CONNECTORS OVERMOULDED

Female connector axial

PP, orange, Li12Y9Y

Contact assignment

Number of poles	Coding	Rated voltage [V]	Current rating [A]	Cable Length = L [m]	Wire cross section [mm ²]	Description	Part No.
4	A	250	4	0,34	2	SAL-FB-12-RK4-2/P1	43-10512
					3	SAL-FB-12-RK4-3/P1	43-10513
					5	SAL-FB-12-RK4-5/P1	43-10514
					10	SAL-FB-12-RK4-10/P1	43-10515
					2	SAL-FB-12-RK5-2/P1	43-10516
5	A	60	4	0,34	3	SAL-FB-12-RK5-3/P1	43-10517
					5	SAL-FB-12-RK5-5/P1	43-10518
					10	SAL-FB-12-RK5-10/P1	43-10519



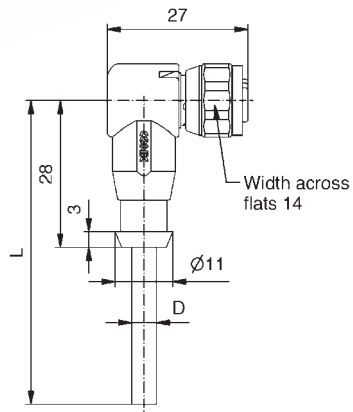
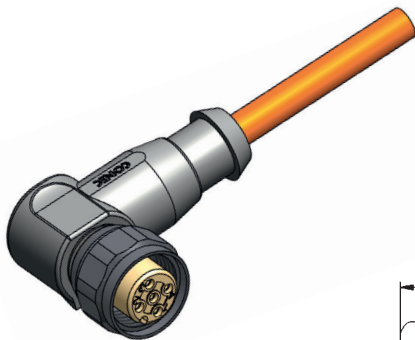
- Pin 1 ■
- Pin 2 ■
- Pin 3 ■
- Pin 4 ■

- Pin 1 ■
- Pin 2 ■
- Pin 3 ■
- Pin 4 ■
- Pin 5 ■

Female connector angled

PP, orange, Li12Y9Y

4	A	250	4	0,34	2	SAL-FB-12-RKW4-2/P1	43-10528
					3	SAL-FB-12-RKW4-3/P1	43-10529
					5	SAL-FB-12-RKW4-5/P1	43-10530
					10	SAL-FB-12-RKW4-10/P1	43-10531
					2	SAL-FB-12-RKW5-2/P1	43-10532
5	A	60	4	0,34	3	SAL-FB-12-RKW5-3/P1	43-10533
					5	SAL-FB-12-RKW5-5/P1	43-10534
					10	SAL-FB-12-RKW5-10/P1	43-10535



- Pin 1 ■
- Pin 2 ■
- Pin 3 ■
- Pin 4 ■

- Pin 1 ■
- Pin 2 ■
- Pin 3 ■
- Pin 4 ■
- Pin 5 ■

M12x1 F&B CONNECTORS OVERMOULDED with LED

Female connector angled, 3-LED

PP, orange, Li12Y9Y

Contact assignment

Number of poles

Coding

Rated voltage [V]

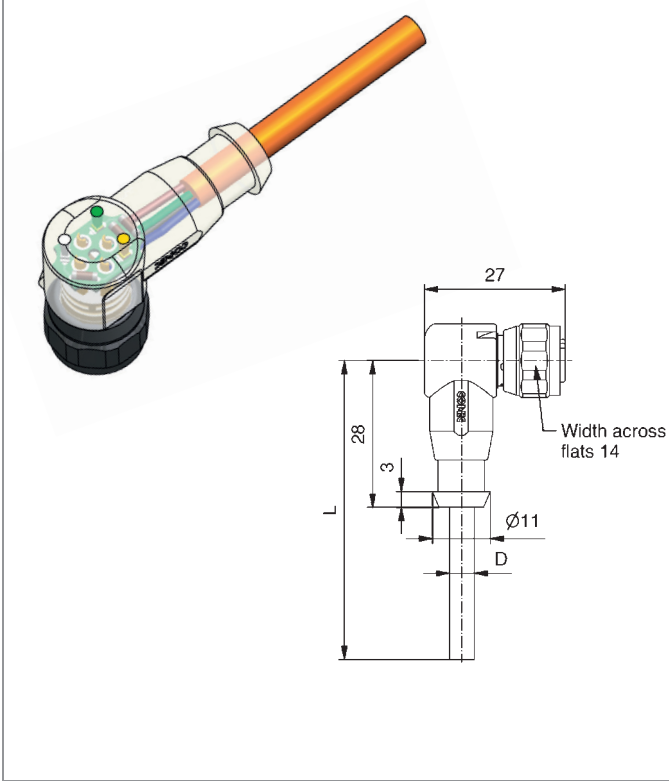
Current rating [A]

Cable length = L [m]

Wire cross section [mm²]

Description

Part No.



Contact assignment	Number of poles	Coding	Rated voltage [V]	Current rating [A]	Cable length = L [m]	Wire cross section [mm ²]	Description	Part No.
	4	A	30	4	0,34	2	SAL-FB-12-RKW4-3L-2/P1	43-11636
						3	SAL-FB-12-RKW4-3L-3/P1	43-11637
						5	SAL-FB-12-RKW4-3L-5/P1	43-11638
						10	SAL-FB-12-RKW4-3L-10/P1	43-11639
	5	A	30	4	0,34	2	SAL-FB-12-RKW5-3L-2/P1	43-11640
						3	SAL-FB-12-RKW5-3L-3/P1	43-11641
						5	SAL-FB-12-RKW5-3L-5/P1	43-11642
						10	SAL-FB-12-RKW5-3L-10/P1	43-11643

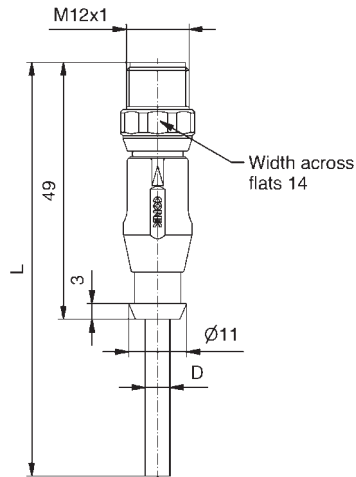
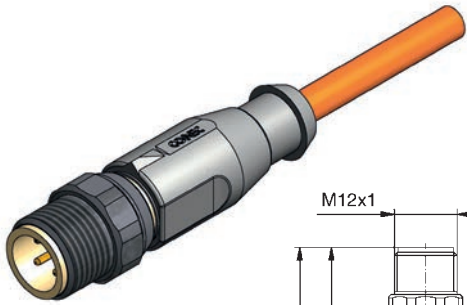
M12x1 F&B CONNECTORS OVERMOULDED

Male connector axial

PP, orange, Li12Y9Y

Contact assignment

Number of poles	Coding	Rated voltage [V]	Current rating [A]	Cable length = L [m]	Wire cross section [mm ²]	Description	Part No.
4	A	250	4	0,34	2	SAL-FB-12-RS4-2/P1	43-10520
					3	SAL-FB-12-RS4-3/P1	43-10521
					5	SAL-FB-12-RS4-5/P1	43-10522
					10	SAL-FB-12-RS4-10/P1	43-10523
					2	SAL-FB-12-RS5-2/P1	43-10524
5	A	60	4	0,34	3	SAL-FB-12-RS5-3/P1	43-10525
					5	SAL-FB-12-RS5-5/P1	43-10526
					10	SAL-FB-12-RS5-10/P1	43-10527



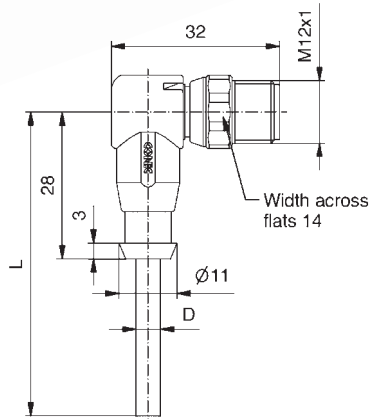
- Pin 1 ■
- Pin 2 ■
- Pin 3 ■
- Pin 4 ■

- Pin 1 ■
- Pin 2 ■
- Pin 3 ■
- Pin 4 ■
- Pin 5 ■

Male connector angled

PP, orange, Li12Y9Y

4	A	250	4	0,34	2	SAL-FB-12-RSW4-2/P1/A1090	43-14824
					3	SAL-FB-12-RSW4-3/P1/A1090	43-14825
					5	SAL-FB-12-RSW4-5/P1/A1090	43-14826
					10	SAL-FB-12-RSW4-10/P1/A1090	43-14827
5	A	60	4	0,34	2	SAL-FB-12-RSW5-2/P1/A1090	43-14828
					3	SAL-FB-12-RSW5-3/P1/A1090	43-14829
					5	SAL-FB-12-RSW5-5/P1/A1090	43-14830
					10	SAL-FB-12-RSW5-10/P1/A1090	43-14831



- Pin 1 ■
- Pin 2 ■
- Pin 3 ■
- Pin 4 ■

- Pin 1 ■
- Pin 2 ■
- Pin 3 ■
- Pin 4 ■
- Pin 5 ■

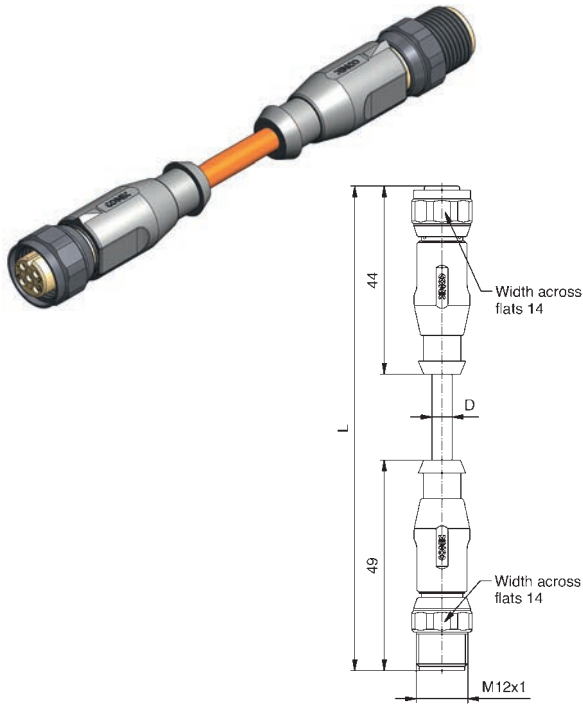
M12X1 F&B CONNECTORS OVERMOULDED
Connecting cable

Female connector axial
Male connector axial

PP, orange, Li12Y9Y

Contact assignment

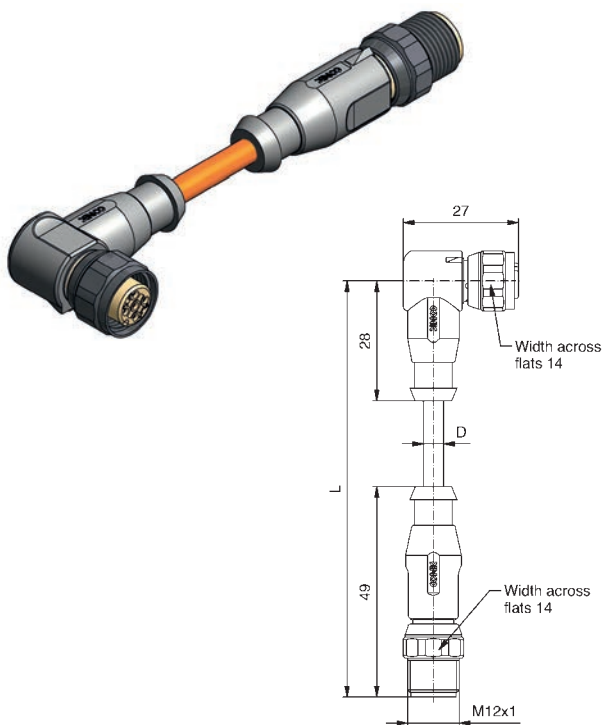
Number of poles	Coding	Rated voltage [V]	Current rating [A]	Cable length = L [m]	Wire cross section [mm ²]	Description	Part No.
4	A	250	4	0,34	0,3	SAL-FB-12-RK4-RS4-0,3/P1	43-10916
					0,6	SAL-FB-12-RK4-RS4-0,6/P1	43-10917
					1,5	SAL-FB-12-RK4-RS4-1,5/P1	43-10918
					3	SAL-FB-12-RK4-RS4-3/P1	43-10919
5	A	60	4	0,34	0,3	SAL-FB-12-RK5-RS5-0,3/P1	43-10920
					0,6	SAL-FB-12-RK5-RS5-0,6/P1	43-10921
					1,5	SAL-FB-12-RK5-RS5-1,5/P1	43-10922
					3	SAL-FB-12-RK5-RS5-3/P1	43-10923



Female connector angled
Male connector axial

PP, orange, Li12Y9Y

4	A	250	4	0,34	0,3	SAL-FB-12-RKW4-RS4-0,3/P1	43-10924
					0,6	SAL-FB-12-RKW4-RS4-0,6/P1	43-10925
					1,5	SAL-FB-12-RKW4-RS4-1,5/P1	43-10926
					3	SAL-FB-12-RKW4-RS4-3/P1	43-10927
5	A	60	4	0,34	0,3	SAL-FB-12-RKW5-RS5-0,3/P1	43-10928
					0,6	SAL-FB-12-RKW5-RS5-0,6/P1	43-10929
					1,5	SAL-FB-12-RKW5-RS5-1,5/P1	43-10930
					3	SAL-FB-12-RKW5-RS5-3/P1	43-10931



M12x1 F&B CONNECTORS OVERMOULDED
Connecting cable with LED

Female connector angled, 3-LED
Male connector axial

PP, orange, Li12Y9Y

Contact assignment

Number of poles

Coding

Rated voltage [V]

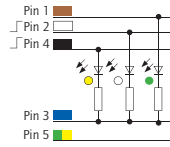
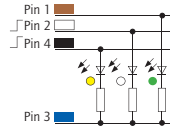
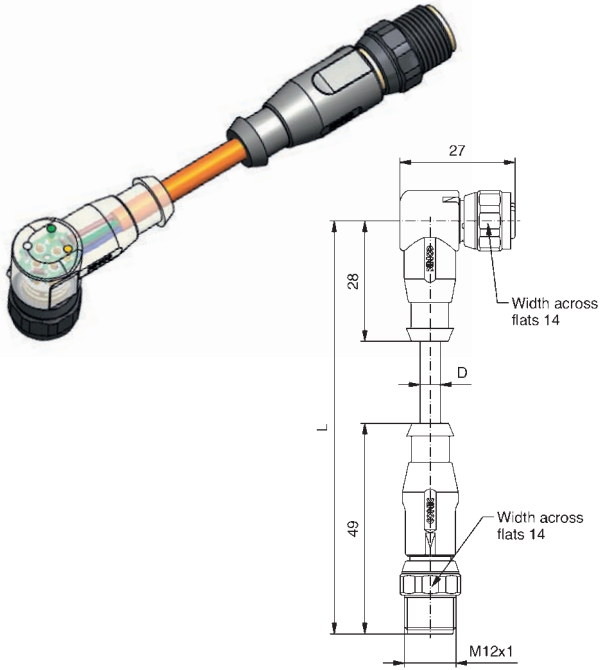
Current rating [A]

Cable length = L [m]

Wire cross section [mm²]

Description

Part No.

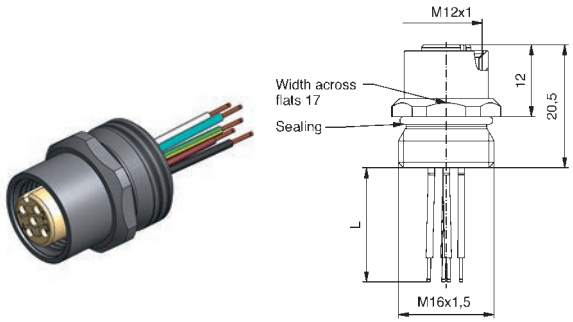


Number of poles	Coding	Rated voltage [V]	Current rating [A]	Cable length = L [m]	Wire cross section [mm ²]	Description	Part No.
4	A	30	4	0,34	0,3	SAL-FB-12-RKW4-RS4-3L-0,3/P1	43-11652
						SAL-FB-12-RKW4-RS4-3L-0,6/P1	43-11653
						SAL-FB-12-RKW4-RS4-3L-1,5/P1	43-11654
						SAL-FB-12-RKW4-RS4-3L-3/P1	43-11655
						SAL-FB-12-RKW5-RS5-3L-0,3/P1	43-11656
5	A	30	4	0,34	0,6	SAL-FB-12-RKW5-RS5-3L-0,6/P1	43-11657
						SAL-FB-12-RKW5-RS5-3L-1,5/P1	43-11658
						SAL-FB-12-RKW5-RS5-3L-3/P1	43-11659
						SAL-FB-12-RKW5-RS5-3L-0,3/P1	43-11656

M12x1 F&B SOCKETS

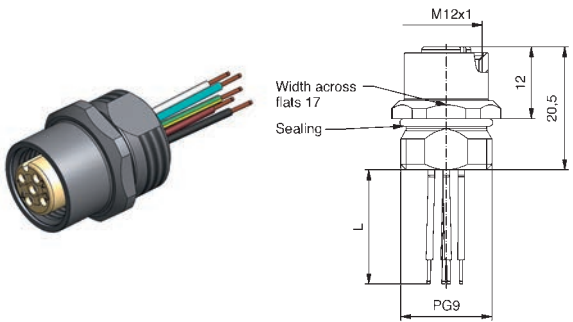
Front panel mounting, wire termination

Female connector, M16x1.5 thread



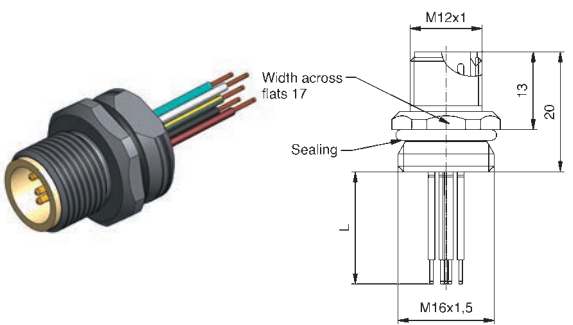
Contact assignment	Number of poles	Coding	Rated voltage [V]	Current rating [A]	Wire material	Wire cross section [AWG]	Wire length = L [m]	Description	Part No.
Pin 1 Pin 2 Pin 3 Pin 4	4	A	250	4	PVC	24	0,5	SAL-FB-12-FK4-0,5	43-01018
Pin 1 Pin 2 Pin 3 Pin 4 Pin 5	5	A	60	4	PVC	24	0,5	SAL-FB-12-FK5-0,5	43-01019
Pin 1 Pin 2 Pin 3 Pin 4 Pin 5 Pin 6 Pin 7 Pin 8	8	A	30	2	PVC	24	0,5	SAL-FB-12-FK8-0,5	43-02823

Female connector, PG9 thread



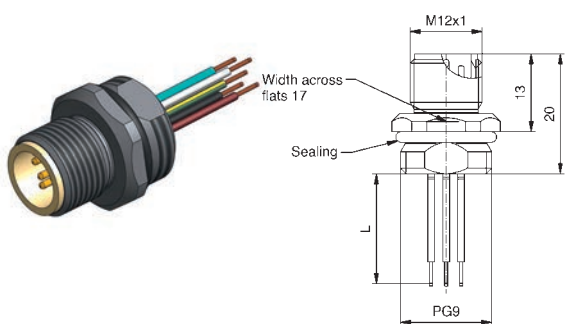
Pin 1 Pin 2 Pin 3 Pin 4	4	A	250	4	PVC	24	0,5	SAL-FB-12-FK4-0,5-9	43-01103
Pin 1 Pin 2 Pin 3 Pin 4 Pin 5	5	A	60	4	PVC	24	0,5	SAL-FB-12-FK5-0,5-9	43-01105
Pin 1 Pin 2 Pin 3 Pin 4 Pin 5 Pin 6 Pin 7 Pin 8	8	A	30	2	PVC	24	0,5	SAL-FB-12-FK8-0,5-9	43-02452

Male connector, M16x1.5 thread



Pin 1 Pin 2 Pin 3 Pin 4	4	A	250	4	PVC	24	0,5	SAL-FB-12-FS4-0,5	43-01020
Pin 1 Pin 2 Pin 3 Pin 4 Pin 5	5	A	60	4	PVC	24	0,5	SAL-FB-12-FS5-0,5	43-01021
Pin 1 Pin 2 Pin 3 Pin 4 Pin 5 Pin 6 Pin 7 Pin 8	8	A	30	2	PVC	24	0,5	SAL-FB-12-FS8-0,5	43-01233

Male connector, PG9 thread

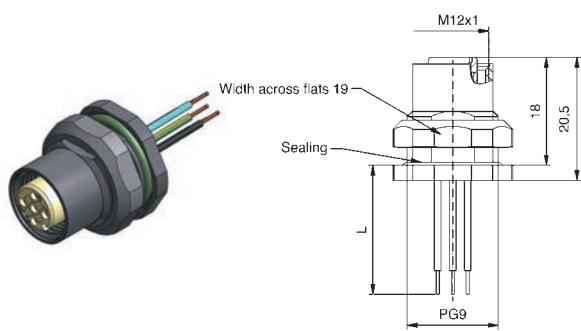


Pin 1 Pin 2 Pin 3 Pin 4	4	A	250	4	PVC	24	0,5	SAL-FB-12-FS4-0,5-9	43-01106
Pin 1 Pin 2 Pin 3 Pin 4 Pin 5	5	A	60	4	PVC	24	0,5	SAL-FB-12-FS5-0,5-9	43-01108
Pin 1 Pin 2 Pin 3 Pin 4 Pin 5 Pin 6 Pin 7 Pin 8	8	A	30	2	PVC	24	0,5	SAL-FB-12-FS8-0,5-9	43-02822

M12x1 F&B SOCKETS

Back panel mounting, wire termination

Female connector, PG9 thread

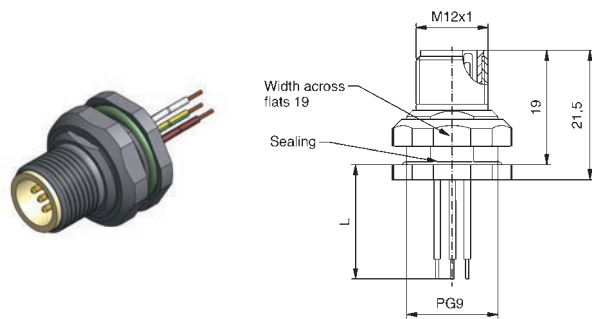


Contact assignment

- Pin 1 ■
- Pin 2 □
- Pin 3 ■
- Pin 4 ■

Number of poles	Coding	Rated voltage [V]	Current rating [A]	Wire material	Wire section [AWG]	Wire length = L [m]	Description	Part No.
4	A	250	4	PVC	24	0,5	SAL-FB-12-FKH4-0,5-9	43-02328
5	A	60	4	PVC	24	0,5	SAL-FB-12-FKH5-0,5-9	43-02329
8	A	30	2	PVC	24	0,5	SAL-FB-12-FKH8-0,5-9	43-02330

Male connector, PG9 thread



- Pin 1 ■
- Pin 2 □
- Pin 3 ■
- Pin 4 ■

- Pin 1 ■
- Pin 2 □
- Pin 3 ■
- Pin 4 ■
- Pin 5 ■

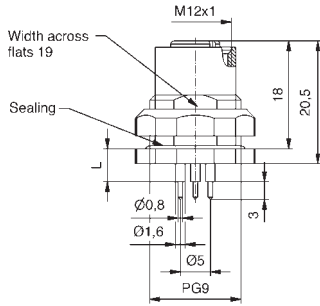
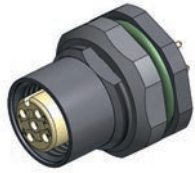
- Pin 1 □
- Pin 2 ■
- Pin 3 ■
- Pin 4 ■
- Pin 5 ■
- Pin 6 ■
- Pin 7 ■
- Pin 8 ■

4	A	250	4	PVC	24	0,5	SAL-FB-12-FSH4-0,5-9	43-02331
5	A	60	4	PVC	24	0,5	SAL-FB-12-FSH5-0,5-9	43-02332
8	A	30	2	PVC	24	0,5	SAL-FB-12-FSH8-0,5-9	43-02333

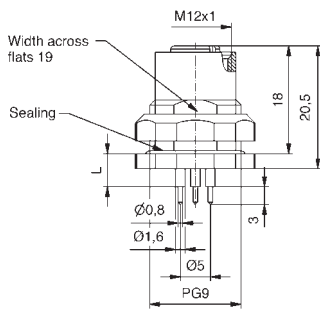
M12x1 F&B SOCKETS

Back panel mounting, dip solder termination

Female connector, PG9 thread

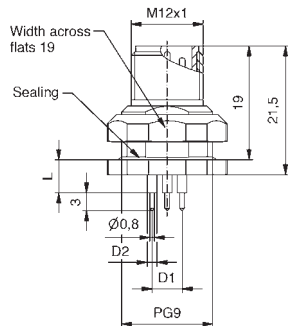
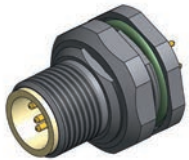


Number of poles	Coding	Rated voltage [V]	Current rating [A]	Installation height [mm]	Description	Part No.
4	A	250	4	5,5	SAL-FB-12-FKH4-P5,5-9	43-01894
5	A	60	4	5,5	SAL-FB-12-FKH5-P5,5-9	43-01896
8	A	30	2	5,5	SAL-FB-12-FKH8-P5,5-9	43-02340

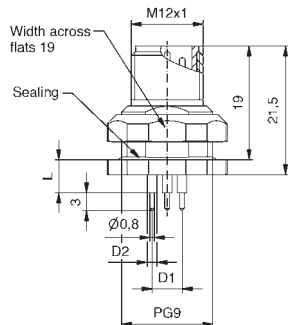
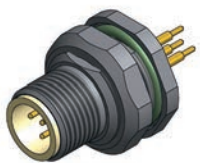


4	A	250	4	12	SAL-FB-12-FKH4-P12-9	43-01895
5	A	60	4	12	SAL-FB-12-FKH5-P12-9	43-01897
8	A	30	2	12	SAL-FB-12-FKH8-P12-9	43-02341

Male connector, PG9 thread



4	A	250	4	5,5	SAL-FB-12-FSH4-P5,5-9	43-02334
5	A	60	4	5,5	SAL-FB-12-FSH5-P5,5-9	43-02335
8	A	30	2	5,5	SAL-FB-12-FSH8-P5,5-9	43-02345

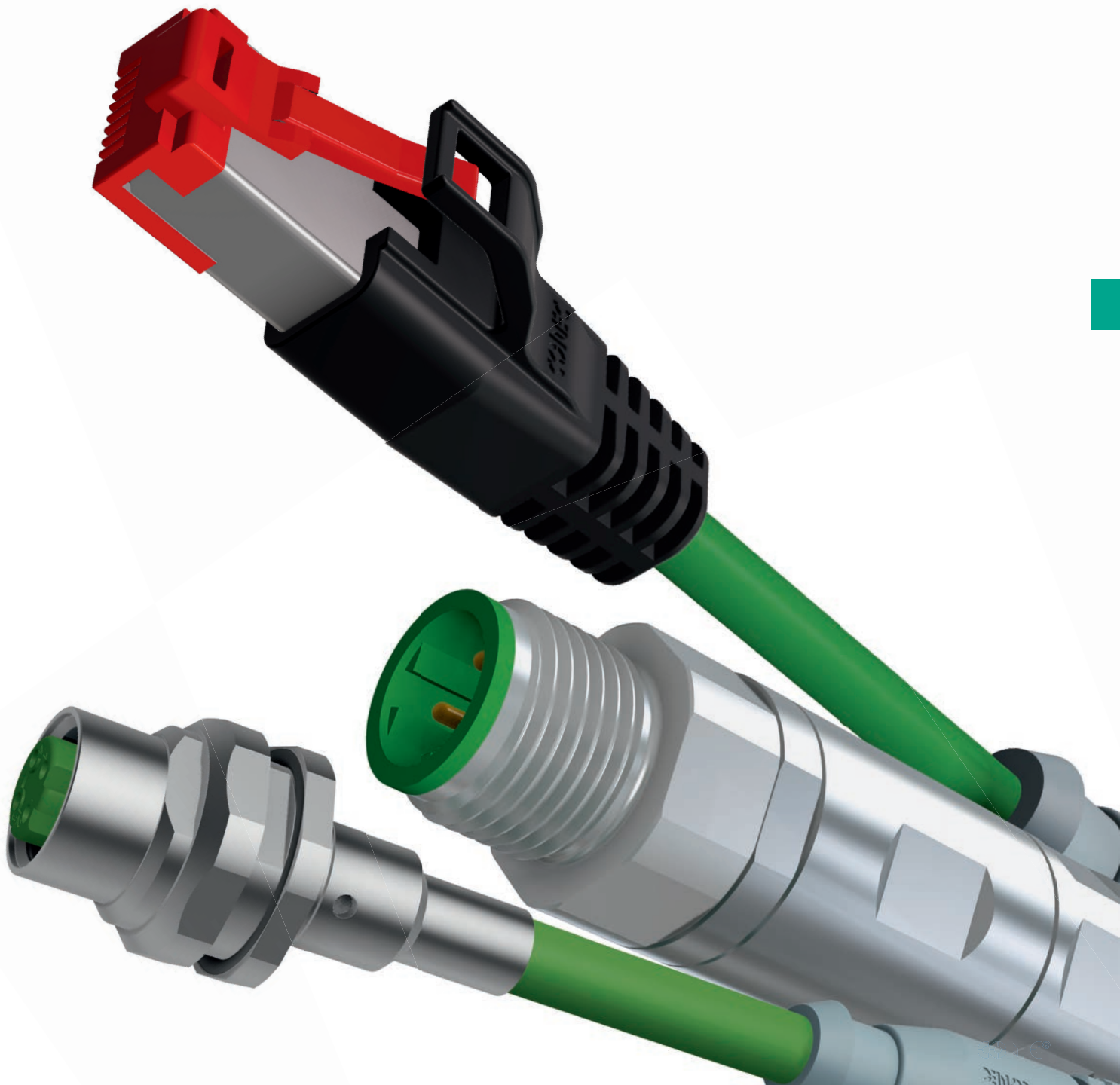


4	A	250	4	12	SAL-FB-12-FSH4-P12-9	43-02336
5	A	60	4	12	SAL-FB-12-FSH4-P12-9	43-02337
8	A	30	2	12	SAL-FB-12-FSH8-P12-9	43-02346

SECTION 9

CONNECTORS FOR BUS SYSTEMS





SAL CONNECTORS OVERMOULDED – PROFIBUS DP/ INDUSTRIAL ETHERNET 100 MHz/ETHERNET 10 GBIT/S

Nomenclature

S A L - 8 B - R K W 4 - 3 / G 4

SAL
Sensor Actor Line

Installation size
8 = M8x1
12 = M12x1
45 = RJ45

Coding
B = B-coding
D = D-coding
S = Standard, shielded (M8x1)
X = X-coding

Design
R = Circular connector
S = Special connector

Gender
K = Female connector
S = Male connector

Configuration
= Axial
W = Angled
A = Termination plug

Number of poles
4 = 4-pos.
8 = 8-pos.

Cable length
XX = Length [m]

Cable quality
G4 = TPU, violet, UL, AWG 22
G5 = PVC, violet, UL, AWG 22
G6 = TPU, green, for drag chain applications, UL, AWG 22
G7 = TPU, violet, for drag chain applications, UL, AWG 23
GG = TPU, waterblue, S-FTP, CAT 6, AWG 26

SAL M8x1 CONNECTORS OVERMOULDED – PROFIBUS DP/ INDUSTRIAL ETHERNET 100 MHz/ETHERNET 10 GBIT/S

Product specification

Basic material	
Contact	CuZn / CuSn
Contact plating	Nickel plated, gold plated
Contact carrier	TPU GF, UL 94 / PA, UL 94 / PPA
Overmould	TPU, UL 94, grey
Sealing	FPM
Coupling nut/-screw	GD-Zn, Ni
Shield sleeve	CuZn, Ni

Technical Data	
Information on the following pages are basing on below mentioned IEC-standards.	
Rated voltage	IEC 61076-2-101 X-coding: IEC 61076-2-109
Current rating	IEC 61076-2-101 X-coding: IEC 61076-2-109
Insulation resistance	IEC 60512
Degree of pollution	IEC 60664-1
Degree of protection	IEC 60529
Mating cycles	IEC 60512-9a

Recommended torque: 0.6 Nm

Technical subject to change without notice.

SAL M12x1/7/8" CONNECTORS OVERMOULDED/ CAN-BUS/DEVICENET

Nomenclature

S A L - D N - 1 2 - R K 4 - 3 / G C

SAL
Sensor Actor Line

BUS
CN = CAN-Bus
DN = DeviceNet

Installation size
12 = M12x1
7/8 = 7/8"

Coding
S = A-coding shielded

Design
R = Circular connector

Gender
K = Female connector
S = Male connector

Configuration
= Axial
W = Angled
A = Termination plug

Number of poles
4 = 4-pos.
5 = 5-pos.

Cable length
XX = Length [m]

Cable quality
GC = PVC, grey, UL
GJ = TPU, violet, UL
GU = PVC, violet

SAL M12x1/7/8" CONNECTORS OVERMOULDED/ CAN-BUS/DEVICENET

Product specification

Basic material	
Contact	CuZn
Contact plating	Nickel plated, gold plated
Contact carrier	TPU, UL 94 / TPU GF, UL 94 / PA UL
Overmould	TPU, UL 94, grey
Sealing	FPM
Coupling nut/-screw	GD-Zn, Ni / CuZn, Ni

Technical Data

Information on the following pages are basing on below mentioned IEC-standards.

	7/8"	M12x1
Rated voltage	IEC 60664-1	IEC 61076-2-101
Overvoltage category	IEC 60664-1 2	
Rated voltage	IEC 60664-1 2.7kV	
Current rating	IEC 60512-3	IEC 61076-2-101
Insulation resistance	IEC 60512	IEC 60512
Degree of pollution	IEC 60664-1	IEC 60664-1
Degree of protection	IEC 60529	IEC 60529
Mating cycles	IEC 60512-9a	IEC 60512-9a

Recommended torque: 0.6 Nm

Technical subject to change without notice.

SAL M12x1 Y-SPLITTER – PROFIBUS DP

Nomenclature

S A L - 1 2 B - R S 5 - 1 2 - R K 5 - 1 2 - R S 5

SAL
Sensor Actor Line

CONNECTION

Installation size
12 = M12x1

Coding
B = B-coding

Design
R = Circular connector

Gender
S = Male connector
K = Female connector

Number of poles
5 = 5-pos.

ALLOCATION

Installation size
12 = M12x1

Design
R = Circular connector

Gender
K = Female connector
S = Male connector

Number of poles
5 = 5-pos.

Installation size
12 = M12x1

Design
R = Circular connector

Gender
S = Male connector
F = Female connector

Number of poles
5 = 5-pos.

SAL M12x1 Y-SPLITTER – PROFIBUS DP

Product specification

Basic material	
Contact	CuZn
Contact plating	Nickel plated, gold plated
Contact carrier	PBT GF, UL 94
Overmould	Thermoplastic elastomere
Sealing	FPM

Technical Data	
Information on the following pages are basing on below mentioned IEC-standards.	
Rated voltage	IEC 61076-2-101
Current rating	IEC 61076-2-101
Insulation resistance	IEC 60512
Degree of pollution	IEC 60664-1
Degree of protection	IEC 60529
Mating cycles	IEC 60512-9a

Technical subject to change without notice.

SAL M12x1 CONNECTORS FIELD-ATTACHABLE – PROFIBUS DP/ INDUSTRIAL ETHERNET 100 MHz / ETHERNET 10 GBIT/S

Nomenclature

S A L - 1 2 B - R K C 4 - S / 150

SAL
Sensor Actor Line

Installation size
12 = M12x1

Coding
B = B-coding
D = D-coding
X = X-coding

Design
R = Circular connector

Gender
K = Female connector
S = Male connector

Configuration
= Axial

Design
C = Field attachable

Number of poles
4 = 4-pos.
5 = 5-pos.
8 = 8-pos.

Type of connection
S = Screw termination
K = Clamp connection
C = Crimp termination

Terminal cross section
034 = max. AWG 22
150 = max. 1.50 mm²
100 = max. 1.0 mm²

SAL M12x1 CONNECTORS FIELD-ATTACHABLE – PROFIBUS DP/ INDUSTRIAL ETHERNET 100 MHz / ETHERNET 10 GBIT/S

Product specification

Basic material	
Contact	CuZn
Contact plating	Nickel plated, gold plated
Contact carrier	PA6, UL 94
Housing	GD-Zn, Ni
Clamp-/screw contact	Stainless steel, nickel plated
Screw termination	CuZn / Ni, Sn gal.
Cable sealing	Elastomere
Sealing	FPM / NBR
Coupling nut/-screw	GD-Zn, Ni

Technical Data

Information on the following pages are basing on below mentioned IEC-standards.

Rated voltage	IEC 61076-2-101 X-coding = IEC 61076-2-109
Current rating	IEC 61076-2-101 X-coding = IEC 61076-2-109
Insulation resistance	IEC 60512
Degree of pollution	IEC 60664-1
Degree of protection	IEC 60529
Mating cycles	IEC 60512-9a

Recommended torque: 0.6 Nm

Technical subject to change without notice.

SAL M12x1 SOCKETS – PROFIBUS DP/ INDUSTRIAL ETHERNET 100 MHz / ETHERNET 10 GBIT/S

Nomenclature

S A L - 1 2 B - F K P W 4 - 05 - 9 / / SMT

SAL
Sensor Actor Line

Installation size

12 = M12x1
45 = RJ45

Coding

B = B-coding
D = D-coding
X = X-coding

Design

F = Socket
S = Special connector
I = Insulation body

Gender

K = Female connector
S = Male connector

Assembly

= Front panel mounting
P = Positioning possible, Front panel mounting
H = Back panel mounting

Configuration

= Axial
W = Angled
V = Square flange

Number of poles

4 = 4-pos.
8 = 8-pos.

Type of connection/Installation height

P5.5 = Dip solder 5.5 mm	X5.5 = Dip solder 5.5 mm	L = Solder termination
P6.75 = Dip solder 6.75 mm	X7.2 = Dip solder 7.2 mm	
P12 = Dip solder 12 mm	X9 = Dip solder 9 mm	
XX = Wire/Cable length [m]	X10 = Dip solder 10 mm	
	X13 = Dip solder 13 mm	

Pxx = Installation height one-piece socket
Xxx = Installation height two-piece socket

Screw connection

= M16x1.5	20 = Square flange 20 x 20
12 = M12x1	26 = Square flange 26 x 26
9 = PG9	

Cable quality

G4 = TPU, violet, UL, AWG 22
G5 = PVC, violet, UL, AWG 22
G6 = TPU, green, UL, AWG 22

Termination

= manual assembly
SMT = Surface Mount Technology (Reflow Soldering)
THR = Through Hole Reflow (Reflow Soldering)
WD = Wall busting

SAL M12x1 SOCKETS – PROFIBUS DP/ INDUSTRIAL ETHERNET 100 MHz / ETHERNET 10 GBIT/S

Product specification

Basic material	
Contact	CuZn
Contact plating	Nickel plated, gold plated
Contact carrier	PBT GF, UL 94 / PA GF, UL 94, LCP GF
Sealing	FPM / NBR
Counter nut	CuZn, Ni
Socket housing	CuZn, Ni
Sealing compound	Polyurethane-resin, UL 94
Shroud	Spring steel
Shroud surface	Sn gal.

Technical Data

Information on the following pages are basing on below mentioned IEC-standards.

Rated voltage	IEC 61076-2-101 X-coding = IEC 61076-2-109
Current rating	IEC 61076-2-101 X-coding = IEC 61076-2-109
Insulation resistance	IEC 60512
Degree of pollution	IEC 60664-1
Degree of protection	IEC 60529
Mating cycles	IEC 60512-9a

Recommended torque: 1-1.2 Nm

Technical subject to change without notice.

SAL D-SUB

Nomenclature

S A L - D S - S K S W 9 F

SAL
Sensor Actor Line

Installation size
DS = D-SUB

Design
S = Specific

Building
= Without programming interface
K = With programming interface

Configuration
S = Male connector

Configuration
= Axial
W = Angled

Number of poles
9 = 9-pos.

Cable-connection
= Quick connection IDC, inflexible conductor
F = Quick connection IDC, flexible conductor
S = Screw termination

SAL D-SUB

Product specification

Basic material	
Contact D-SUB	CuZn
Contact plating D-SUB	Nickel plated, gold plated
IDC-Contact	CuSn
Housing	Thermoplastic chrome-plated
Technical Data	
Information on the following pages are basing on below mentioned IEC-standards.	
Degree of protection	IEC 60529

Technical subject to change without notice.

SAL M12x1 / 7/8" SOCKETS/CAN-BUS/DEVICENET

Nomenclature

S A L - D N - 1 2 - F K H 4 - 0 5 / G J

SAL
Sensor Actor Line

BUS
DN = DeviceNet
CN = CAN-Bus

Installation size
12 = M12x1
7/8 = 7/8"

Coding
= A-coding

Design
F = Socket

Gender
K = Female connector
S = Male connector

Assembly
= Front panel mounting
H = Back panel mounting

Configuration
= Axial

Number of poles
4 = 4-pos.
5 = 5-pos.

Length
XX = Wire/Cable length [m]

Cable quality
GJ = TPU, violet, UL

SAL M12x1 / 7/8" SOCKETS / CAN-BUS / DEVICENET

Product specification

Basic material	
Contact	CuZn
Contact plating	Nickel plated, gold plated
Contact carrier	PBT GF, UL 94
Sealing	FPM / NBR
Counter nut	CuZn, Ni
Socket housing	CuZn, Ni
Sealing compound	Polyurethane-resin, UL 94

Technical Data

Information on the following pages are basing on below mentioned IEC-standards.

	7/8"	M12x1
Rated voltage	IEC 60664-1	IEC 61076-2-101
Overvoltage category	IEC 60664-1 2	
Rated voltage	IEC 60664-1 2.7kV	
Current rating	IEC 60512-3	IEC 61076-2-101
Insulation resistance	IEC 60512	IEC 60512
Degree of pollution	IEC 60664-1	IEC 60664-1
Degree of protection	IEC 60529	IEC 60529
Mating cycles	IEC 60512-9a	IEC 60512-9a

Recommended torque: 1.2 Nm

Technical subject to change without notice.

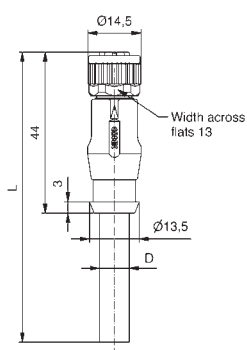
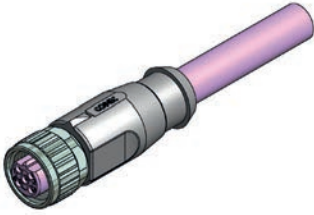
**M12x1 PROFIBUS DP OVERMOULDED
360° Shielding**

Female connector axial

PVC, UL, violet, O2YSY(ST)CY

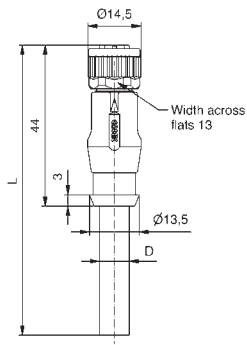
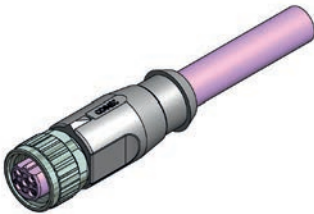
Contact assignment

Number of poles	Coding	Rated voltage [V]	Current rating [A]	Cable length = L [m]	Wire cross section [AWG]	Description	Part No.
4	B	160	4	2 x 22	2	SAL-12B-RK4.1-2/G5	43-11601
					3	SAL-12B-RK4.1-3/G5	43-11602
					5	SAL-12B-RK4.1-5/G5	43-11603
					10	SAL-12B-RK4.1-10/G5	43-11604



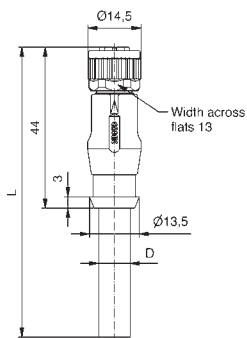
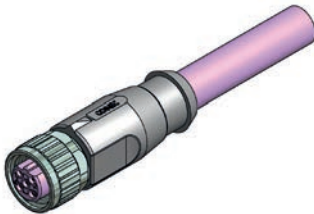
TPU, UL, violet, O2YSH(ST)CH

4	B	160	4	2 x 22	2	SAL-12B-RK4.1-2/G4	43-10932
					3	SAL-12B-RK4.1-3/G4	43-10933
					5	SAL-12B-RK4.1-5/G4	43-10934
					10	SAL-12B-RK4.1-10/G4	43-10935



TPE, UL, highflexible, violet, O2YS(ST)C11Y

4	B	160	4	2 x 23	2	SAL-12B-RK4.1-2/G7	43-11605
					3	SAL-12B-RK4.1-3/G7	43-11606
					5	SAL-12B-RK4.1-5/G7	43-11607
					10	SAL-12B-RK4.1-10/G7	43-11608



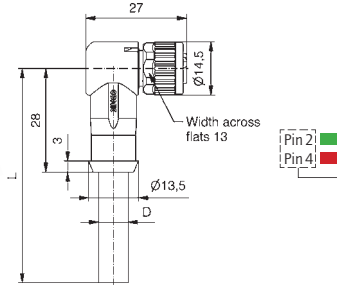
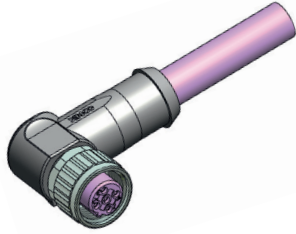
**M12x1 PROFIBUS DP OVERMOULDED
360° Shielding**

Female connector angled

PVC, UL, violet, O2YSY(ST)CY

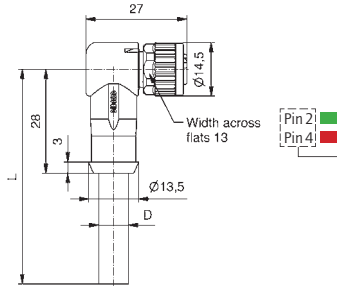
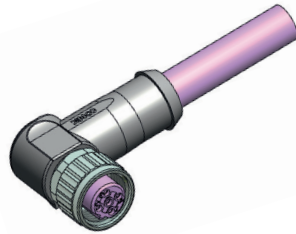
Contact assignment

Number of poles	Coding	Rated voltage [V]	Current rating [A]	Cable length = L [m]	Wire cross section [AWG]
4	B	160	4	2	2 x 22
4	B	160	4	3	2 x 22
4	B	160	4	5	2 x 22
4	B	160	4	10	2 x 22



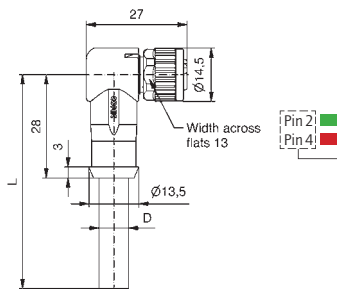
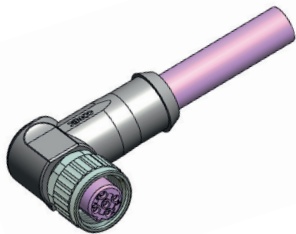
Description	Part No.
SAL-12B-RKW4.1-2/G5	43-12471
SAL-12B-RKW4.1-3/G5	43-12472
SAL-12B-RKW4.1-5/G5	43-12473
SAL-12B-RKW4.1-10G5	43-12474

TPU, UL, violet, O2YSH(ST)CH



SAL-12B-RKW4.1-2/G4	43-12475
SAL-12B-RKW4.1-3/G4	43-12476
SAL-12B-RKW4.1-5/G4	43-12477
SAL-12B-RKW4.1-10G4	43-12478

TPE, UL, highflexible, violet, O2YS(ST)C11Y



SAL-12B-RKW4.1-2/G7	43-12479
SAL-12B-RKW4.1-3/G7	43-12480
SAL-12B-RKW4.1-5/G7	43-12481
SAL-12B-RKW4.1-10G7	43-12482

M12x1 PROFIBUS DP OVERMOULDED 360° Shielding

Male connector axial

PVC, UL, violet, O2YSY(ST)CY

Contact assignment

Number of poles

Coding

Rated voltage [V]

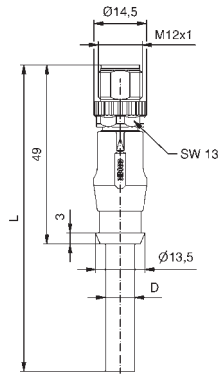
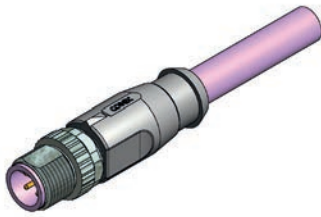
Current rating [A]

Cable length = L [m]

Wire cross section [AWG]

Description

Part No.



4

B

160

4

2

2 x 22

SAL-12B-RS4.1-2/G5

43-11609

SAL-12B-RS4.1-3/G5

43-11610

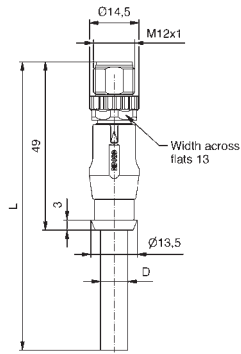
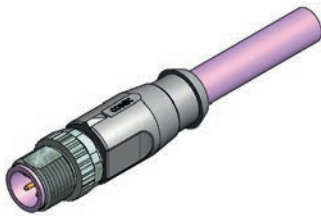
SAL-12B-RS4.1-5/G5

43-11611

SAL-12B-RS4.1-10/G5

43-11612

TPU, UL, violet, O2YSH(ST)CH



4

B

160

4

2

2 x 22

SAL-12B-RS4.1-2/G4

43-10936

SAL-12B-RS4.1-3/G4

43-10937

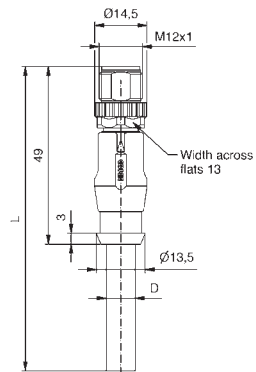
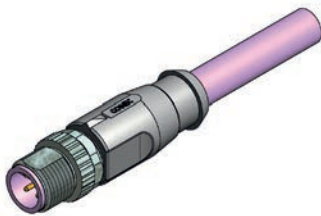
SAL-12B-RS4.1-5/G4

43-10938

SAL-12B-RS4.1-10/G4

43-10939

TPE, UL, highflexible, violet, O2YS(ST)C11Y



4

B

160

4

2

2 x 23

SAL-12B-RS4.1-2/G7

43-11613

SAL-12B-RS4.1-3/G7

43-11614

SAL-12B-RS4.1-5/G7

43-11615

SAL-12B-RS4.1-10/G7

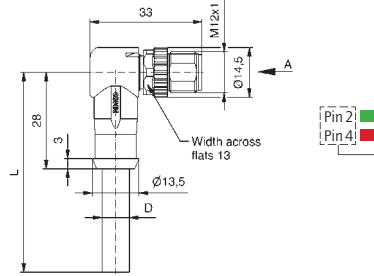
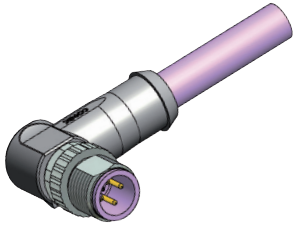
43-11616

**M12x1 PROFIBUS DP OVERMOULDED
360° Shielding**

Male connector angled

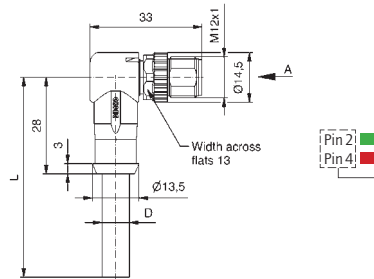
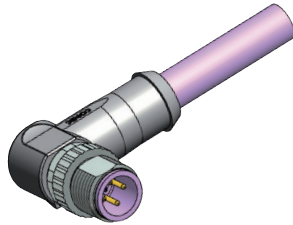
PVC, UL, violet, O2YSY(ST)CY

Contact assignment



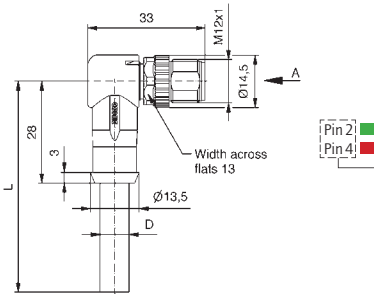
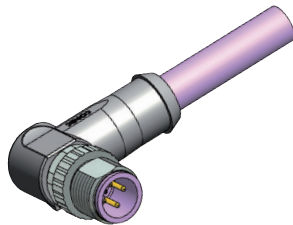
Number of poles	Coding	Rated voltage [V]	Current rating [A]	Cable length = L [m]	Wire cross section [AWG]	Description	Part No.
4	B	160	4	2 x 22	2	SAL-12B-RSW4.1-2 / G5 / A1090	43-14930
					3	SAL-12B-RSW4.1-3 / G5 / A1090	43-14931
					5	SAL-12B-RSW4.1-5 / G5 / A1090	43-14932
					10	SAL-12B-RSW4.1-10 / G5 / A1090	43-14933

TPU, UL, violet, O2YSH(ST)CH



4	B	160	4	2 x 22	2	SAL-12B-RSW4.1-2 / G4 / A1090	43-14934
					3	SAL-12B-RSW4.1-3 / G4 / A1090	43-14935
					5	SAL-12B-RSW4.1-5 / G4 / A1090	43-14936
					10	SAL-12B-RSW4.1-10 / G4 / A1090	43-14937

TPE, UL, highflexible, violet, O2YS(ST)C11Y



4	B	160	4	2 x 23	2	SAL-12B-RSW4.1-2 / G7 / A1090	43-14938
					3	SAL-12B-RSW4.1-3 / G7 / A1090	43-14939
					5	SAL-12B-RSW4.1-5 / G7 / A1090	43-14940
					10	SAL-12B-RSW4.1-10 / G7 / A1090	43-14941

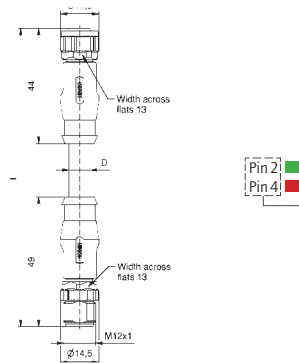
M12x1 PROFIBUS DP OVERMOULDED Connecting cable with 360° Shielding

Female connector axial
Male connector axial

PVC, UL, violet, O2YSY(ST)CY

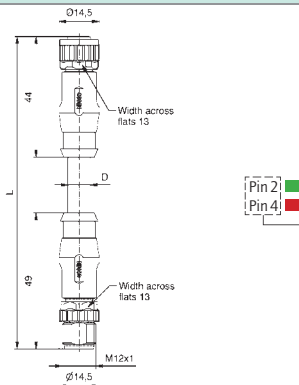
Contact assignment

Number of poles	Coding	Rated voltage [V]	Current rating [A]	Cable length = L [m]	Wire cross section [AWG]	Description	Part No.
4	B	160	4	0,3	2 x 22	SAL-12B-RK4.1-RS4.1-0,3/G5	43-11617
						SAL-12B-RK4.1-RS4.1-0,6/G5	43-11618
						SAL-12B-RK4.1-RS4.1-1,5/G5	43-11619
						SAL-12B-RK4.1-RS4.1-3/G5	43-11620



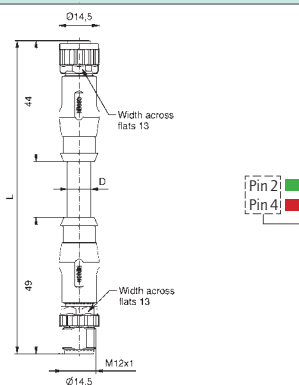
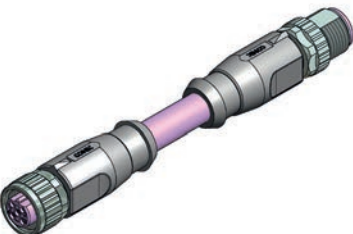
TPU, UL, violet, O2YSH(ST)CH

4	B	160	4	0,3	2 x 22	SAL-12B-RK4.1-RS4.1-0,3/G4	43-10940
						SAL-12B-RK4.1-RS4.1-0,6/G4	43-10941
						SAL-12B-RK4.1-RS4.1-1,5/G4	43-10942
						SAL-12B-RK4.1-RS4.1-3/G4	43-10943



TPE, UL, highflexible, violet, O2YS(ST)C11Y

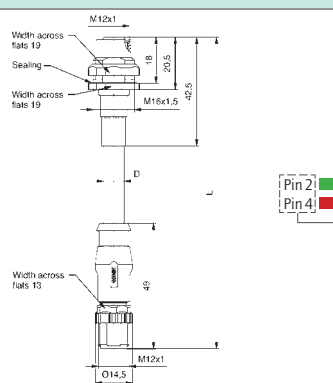
4	B	160	4	0,3	2 x 23	SAL-12B-RK4.1-RS4.1-0,3/G7	43-11228
						SAL-12B-RK4.1-RS4.1-0,6/G7	43-11621
						SAL-12B-RK4.1-RS4.1-1,5/G7	43-11622
						SAL-12B-RK4.1-RS4.1-3/G7	43-11623



Female socket axial, Back panel mounting
Male connector axial, overmoulded

TPU, UL, violet, O2YSH(ST)CH

4	B	160	4	0,5	2 x 22	SAL-12B-FKH4.1-RS4.1-0,5/G4	43-01669
						SAL-12B-FKH4.1-RS4.1-1/G4	43-01670
						SAL-12B-FKH4.1-RS4.1-2/G4	43-01671



**M12x1 PROFIBUS DP OVERMOULDED
360° Shielding**

Termination plug

Male connector axial

Contact assignment

Number of poles

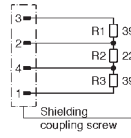
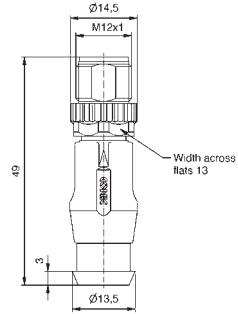
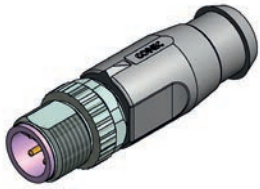
Coding

Rated voltage [V]

Current rating [A]

Description

Part No.



4

B

160

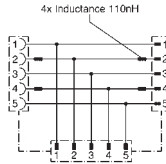
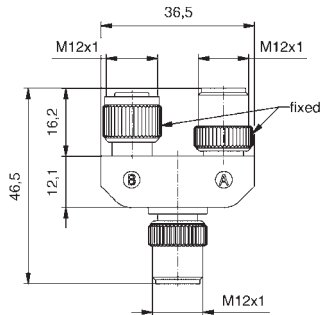
SAL-12B-RSA4.1

43-12483

Y-SPLITTER

Male connector M12x1

Female connector M12x1 – Male connector M12x1



5

B

60

4

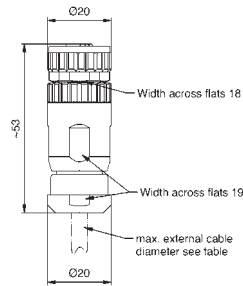
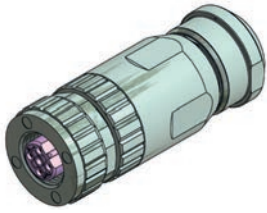
SAL-12B-RS5-RK5-RS5

43-11210

M12x1 PROFIBUS DP FIELD ATTACHABLE 360° Shielding

Screw termination

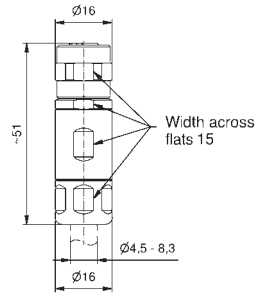
Female connector, axial



Number of poles	Coding	Rated voltage [V]	Current rating [A]	Outer Ø cable [mm]	Wire cross section min-max [mm ²]	Description	Part No.
4	B	250	7,5	4-8	0,25 - 1,50	SAL-12B-RKC4-S/150	43-00292
5	B	60	7,5	4-8	0,25 - 1,50	SAL-12B-RKC5-S/150	43-00293

Crimp termination

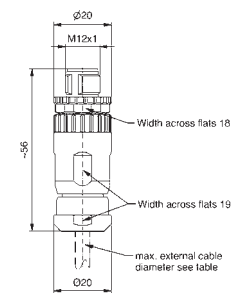
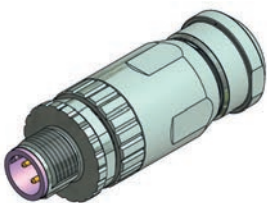
Female connector, axial



4	B	250	4	4,5 - 8,3	0,25 - 1,0	SAL-12B-RKC4-C/100	43-00414
---	---	-----	---	-----------	------------	--------------------	----------

Screw termination

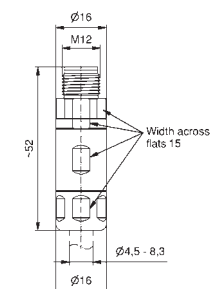
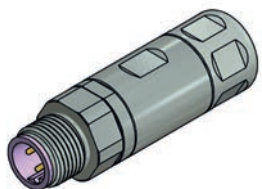
Male connector, axial



4	B	250	7,5	4-8	0,25 - 1,50	SAL-12B-RSC4-S/150	43-00294
5	B	60	7,5	4-8	0,25 - 1,50	SAL-12B-RSC5-S/150	43-00295

Crimp termination

Male connector axial



4	B	250	4	4,5 - 8,3	0,25 - 1,0	SAL-12B-RSC4-C/100	43-00415
---	---	-----	---	-----------	------------	--------------------	----------

M12x1 PROFIBUS DP SOCKETS

Front panel mounting, Wire termination

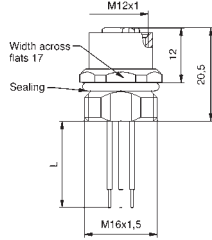
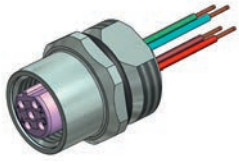
Female connector, M16x1.5 thread

Contact assignment

Number of poles	Coding	Rated voltage [V]	Current rating [A]	Wire material	Wire length = L [m]	Wire cross section [AWG]
4	B	250	4	PVC	0,5	22

Description

Part No.

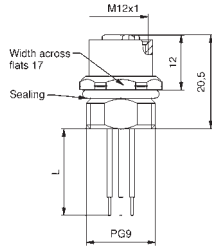
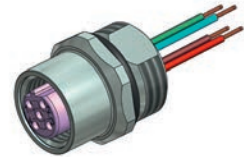


- Pin 1 ■
- Pin 2 ■
- Pin 3 ■
- Pin 4 ■

SAL-12B-FK4.3-0,5

43-01042

Female connector, PG9 thread

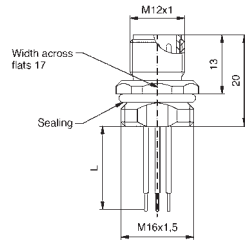
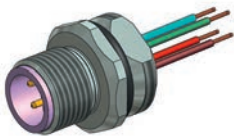


- Pin 1 ■
- Pin 2 ■
- Pin 3 ■
- Pin 4 ■

SAL-12B-FK4.3-0,5-9

43-01109

Male connector, M16x1.5 thread

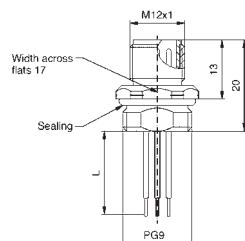
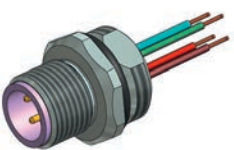


- Pin 1 ■
- Pin 2 ■
- Pin 3 ■
- Pin 4 ■

SAL-12B-FS4.3-0,5

43-01043

Male connector, PG9 thread



- Pin 1 ■
- Pin 2 ■
- Pin 3 ■
- Pin 4 ■

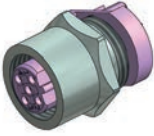
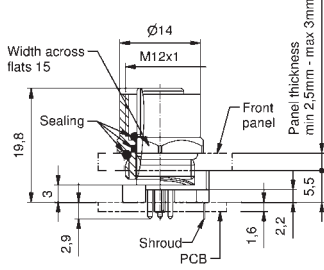
SAL-12B-FS4.3-0,5-9

43-01110

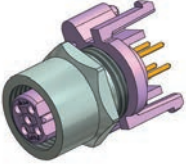
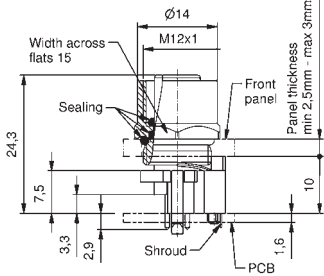
M12x1 PROFIBUS DP SOCKETS

Front panel mounting, Dip solder termination

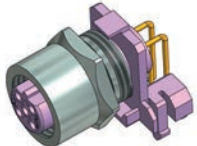
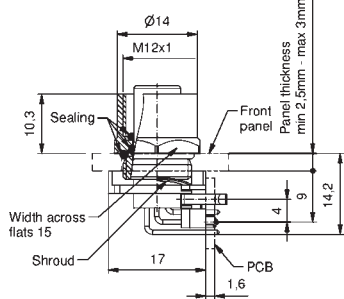
Two-piece female connector, axial with shroud, installation height 5.5 mm

	Number of poles	Coding	Rated voltage [V]	Current rating [A]	Installation height [mm]	Description	Part No.
 	4	B	250	4	5,5	SAL-12B-FK4-X5,5	43-01216

Two-piece female connector, axial with shroud, installation height 10 mm

 	4	B	250	4	10	SAL-12B-FK4-X10	43-01212
---	---	---	-----	---	----	-----------------	----------

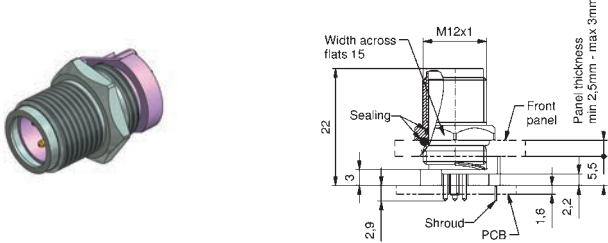
Two-piece female connector, angled with shroud

 	4	B	250	4		SAL-12B-FKW4	43-01224
---	---	---	-----	---	--	--------------	----------

M12x1 PROFIBUS DP SOCKETS

Front panel mounting, Dip solder termination

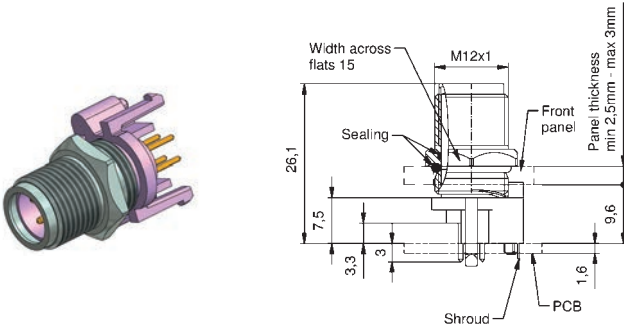
Two-piece male connector, axial with shroud, installation height 5.5 mm



Number of poles	Coding	Rated voltage [V]	Current rating [A]	Installation height [mm]	Description	Part No.
-----------------	--------	-------------------	--------------------	--------------------------	-------------	----------

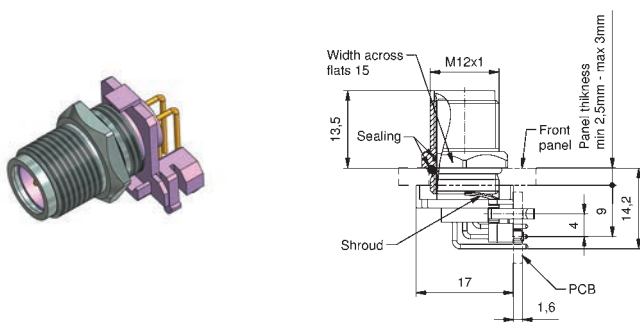
4	B	250	4	5,5	SAL-12B-FS4-X5,5	43-01218
---	---	-----	---	-----	------------------	----------

Two-piece male connector, axial with shroud, installation height 10 mm



4	B	250	4	10	SAL-12B-FS4-X10	43-01214
---	---	-----	---	----	-----------------	----------

Two-piece male connector, angled with shroud

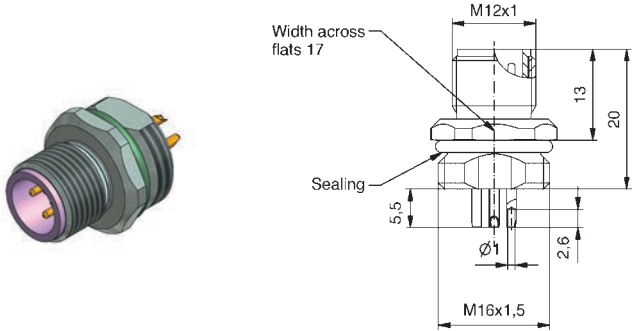


4	B	250	4		SAL-12B-FSW4	43-01226
---	---	-----	---	--	--------------	----------

M12x1 PROFIBUS DP SOCKETS

Front panel mounting, Solder termination/Solder cup

Male connector, M16x1.5 thread



Number of poles

Coding

Rated voltage [V]

Current rating [A]

Installation height [mm]

Description

Part No.

4

B

250

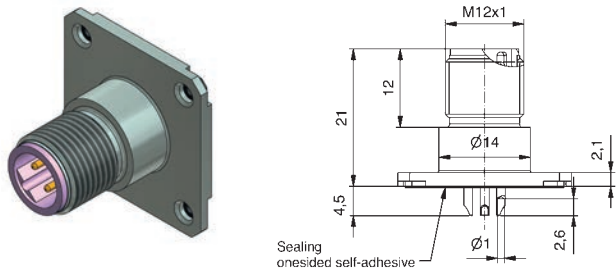
4

5,5

SAL-12B-FS4-L

43-02296

Male connector, square flange 26 mm



4

B

250

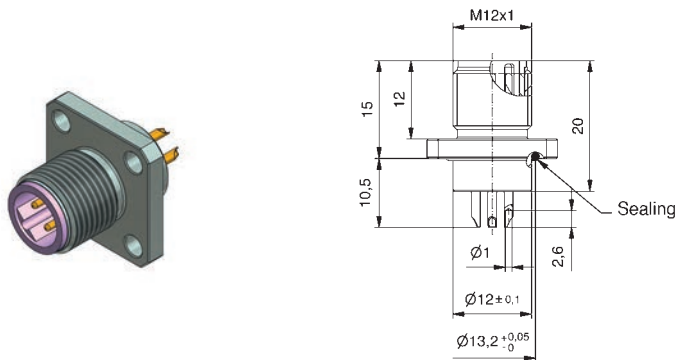
4

4,5

SAL-12B-FSV4-L-26

43-02305

Male connector, square flange 20 mm



4

B

250

4

10,5

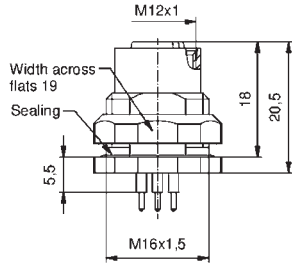
SAL-12B-FSV04-L-20

43-02302

M12x1 PROFIBUS DP SOCKETS

Back panel mounting, Dip solder termination

Female connector, M16x1.5 thread



Number of poles

Coding

Rated voltage [V]

Current rating [A]

Installation height [mm]

Description

Part No.

4

B

250

4

5,5

SAL-12B-FKH4-P5,5

43-01123

4

B

250

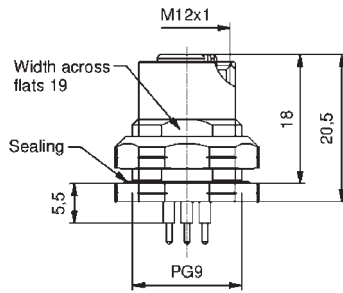
4

12

SAL-12B-FKH4-P12

43-01124

Female connector, PG9 thread



4

B

250

4

5,5

SAL-12B-FKH4-P5,5-9

43-01249

4

B

250

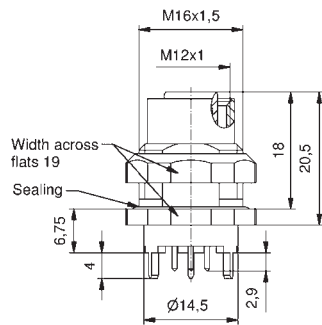
4

12

SAL-12B-FKH4-P12-9

43-01250

Female connector with shielded connection, M16x1,5 thread



4

B

250

4

6,75

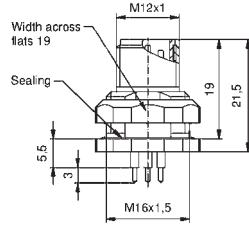
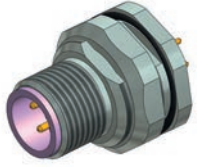
SAL-12B-FKH4-P6,75

43-01689

M12x1 PROFIBUS DP SOCKETS

Back panel mounting, Dip solder termination

Male connector, M16x1.5 thread



Number of poles

Coding

Rated voltage [V]

Current rating [A]

Installation height [mm]

Description

Part No.

4

B

250

4

5,5

SAL-12B-FSH4-P5,5

43-01125

4

B

250

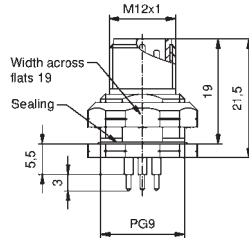
4

12

SAL-12B-FSH4-P12

43-01126

Male connector, PG9 thread



4

B

250

4

5,5

SAL-12B-FSH4-P5,5-9

43-01251

4

B

250

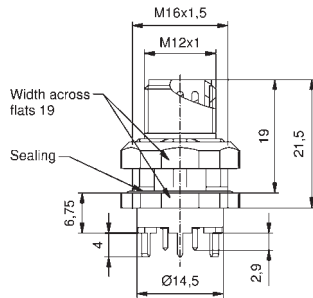
4

12

SAL-12B-FSH4-P12-9

43-01252

Male connector with shielded connection, M16x1.5 thread



4

B

250

4

6,75

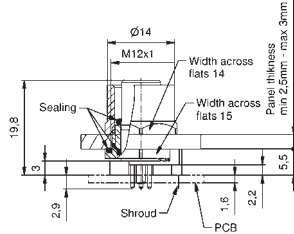
SAL-12B-FSH4-P6,75

43-02207

M12x1 PROFIBUS DP SOCKETS with shroud

Back panel mounting, Dip solder termination

Two-piece female connector, axial with shroud, installation height 5.5 mm



Number of poles

Coding

Rated voltage [V]

Current rating [A]

Installation height [mm]

Description

Part No.

4

B

250

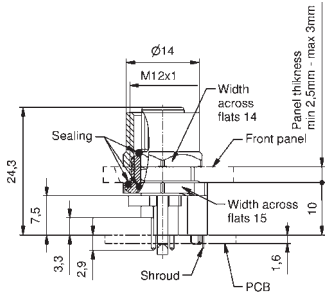
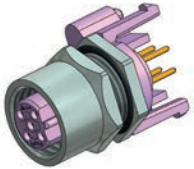
4

5,5

SAL-12B-FKH4-X5,5

43-01217

Two-piece female connector, axial with shroud, installation height 10 mm



4

B

250

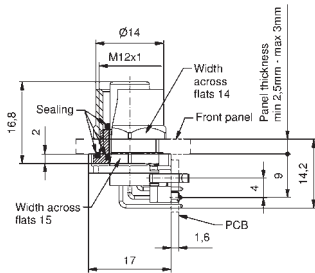
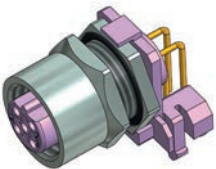
4

10

SAL-12B-FKH4-X10

43-01213

Two-piece female connector, angled with shroud



4

B

250

4

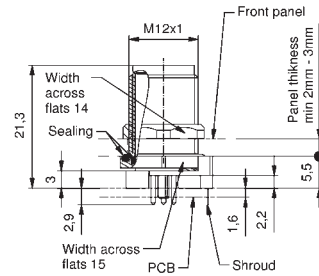
SAL-12B-FKHW4

43-01225

M12x1 PROFIBUS DP SOCKETS with shroud

Back panel mounting, Dip solder termination

Two-piece male connector, axial with shroud, installation height 5.5 mm



Number of poles

Coding

Rated voltage [V]

Current rating [A]

Installation height [mm]

Description

Part No.

4

B

250

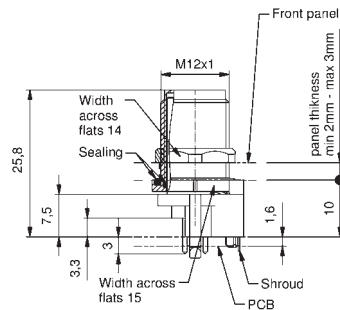
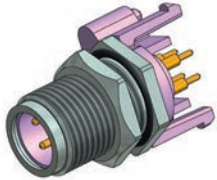
4

5,5

SAL-12B-FSH4-X5,5

43-01219

Two-piece male connector, axial with shroud, installation height 10 mm



4

B

250

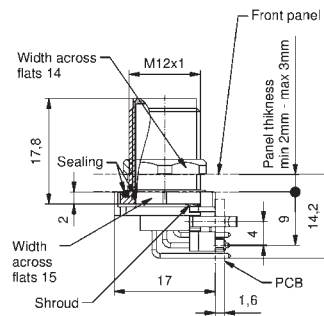
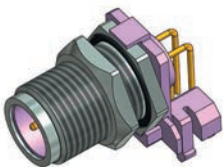
4

10

SAL-12B-FSH4-X10

43-01215

Two-piece male connector, angled with shroud



4

B

250

4

SAL-12B-FSHW4

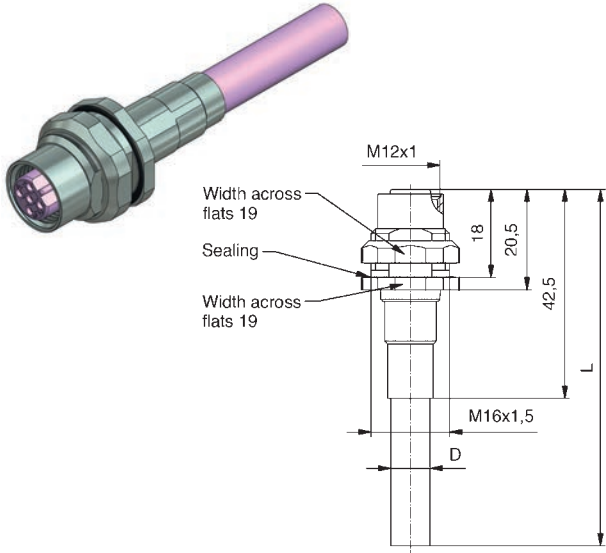
43-01227

M12x1 PROFIBUS DP SOCKETS 360° Shielding

Back panel mounting with cable

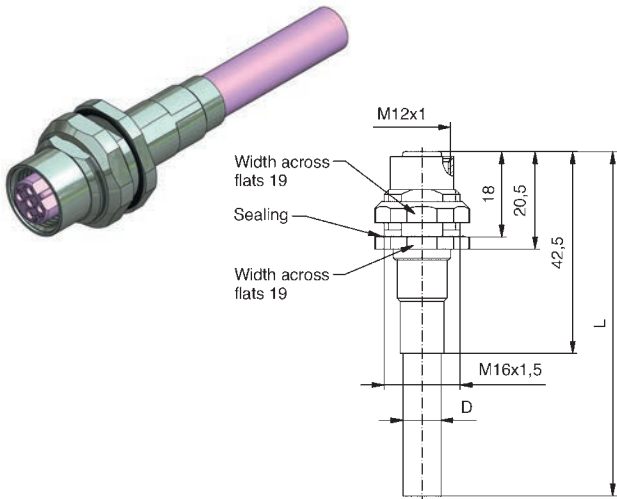
Female connector, M16x1.5 thread, PVC, UL, violet, O2YSY(ST)CY

Contact assignment



Number of poles	Coding	Rated voltage [V]	Current rating [A]	Cable length = L [m]	Wire cross section [AWG]	Description	Part No.
4	B	160	4	0,5	2 x 22	SAL-12B-FKH4.1-0,5/ G5	43-01654
4	B	160	4	1	2 x 22	SAL-12B-FKH4.1-1/ G5	43-01655
4	B	160	4	2	2 x 22	SAL-12B-FKH4.1-2/ G5	43-01656

Female connector, M16x1.5 thread, TPU, UL, violet, O2YSH(ST)CH



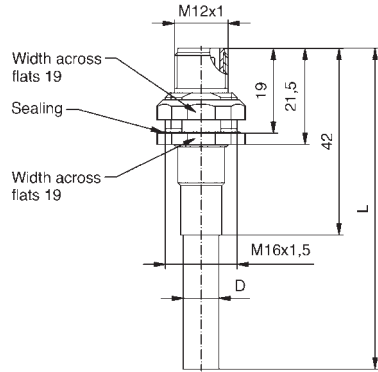
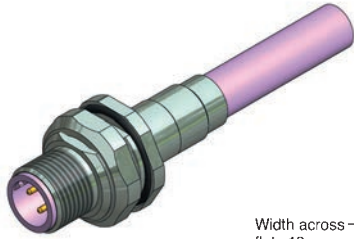
4	B	160	4	0,5	2 x 22	SAL-12B-FKH4.1-0,5/ G4	43-01648
4	B	160	4	1	2 x 22	SAL-12B-FKH4.1-1/ G4	43-01649
4	B	160	4	2	2 x 22	SAL-12B-FKH4.1-2/ G4	43-01650

M12x1 PROFIBUS DP SOCKETS 360° Shielding

Back panel mounting with cable

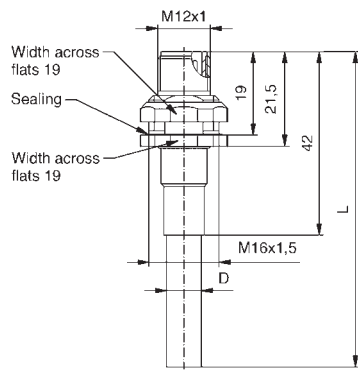
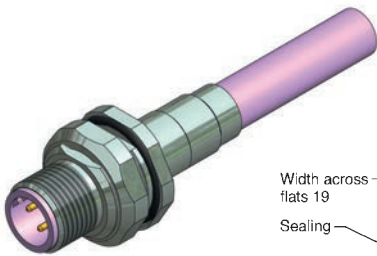
Male connector, M16x1.5 thread, PVC, UL, violet, O2YSY(ST)CY

Contact assignment



Number of poles	Coding	Rated voltage [V]	Current rating [A]	Cable length = L [m]	Wire cross section [AWG]	Description	Part No.
4	B	160	4	0,5	2 x 22	SAL-12B-FSH4.1-0,5/ G5	43-01657
4	B	160	4	1	2 x 22	SAL-12B-FSH4.1-1/ G5	43-01658
4	B	160	4	2	2 x 22	SAL-12B-FSH4.1-2/ G5	43-01659


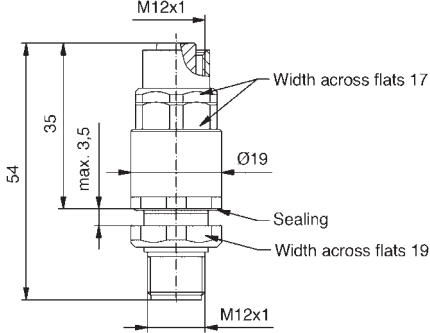
Male connector, M16x1.5 thread, TPU, UL, violet, O2YSH(ST)CH



4	B	160	4	0,5	2 x 22	SAL-12B-FSH4.1-0,5/ G4	43-01651
4	B	160	4	1	2 x 22	SAL-12B-FSH4.1-1/ G4	43-01652
4	B	160	4	2	2 x 22	SAL-12B-FSH4.1-2/ G4	43-01653

M12x1 PROFIBUS DP
Lead through for switch case

Flansch Male connector (inflexible)
Female socket (flexible)

		Number of poles	Coding	Rated voltage [V]	Current rating [A]	Cable length = L [m]	Wire cross section [AWG]	Description	Part No.
		4	B	250	4			SAL-12B-FSH4-FKP4-WD	43-01693

D-SUB – M12x1 PROFIBUS DP Connecting cable

D-SUB Male connector 9-pos., angled with programming interface
Male connector/Female connector M12x1 axial, 4-pos.

PVC, UL, violet, O2YSY(ST)CY

Contact assignment

Number of poles

Coding

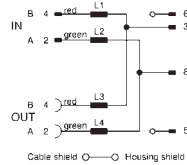
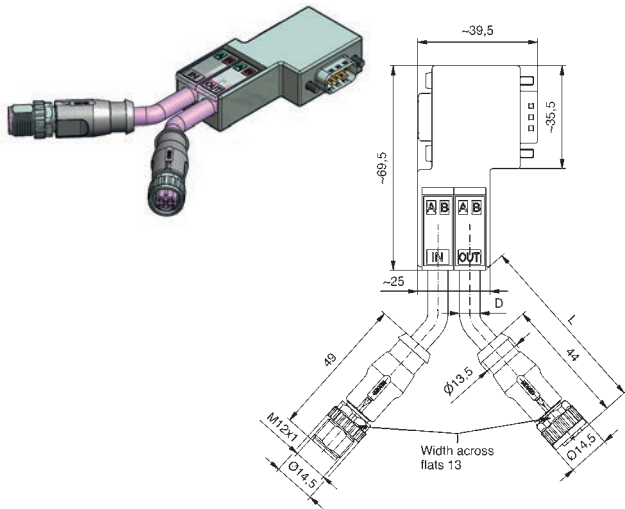
Rated voltage [V]

Cable length = L [m]

Wire cross section [AWG]

Description

Part No.



0,5

SAL-DS-SKSW9.1-12B-RS4.1-RK4.1-0,5/G5

43-11756

1

2 x 22

SAL-DS-SKSW9.1-12B-RS4.1-RK4.1-1/G5

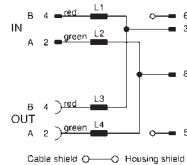
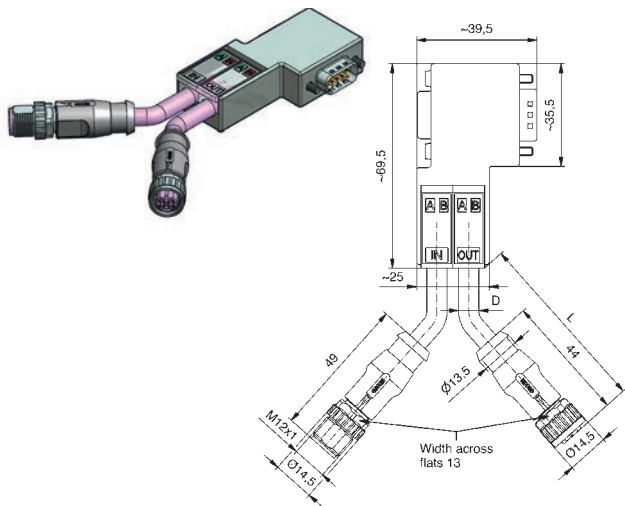
43-11757

2

SAL-DS-SKSW9.1-12B-RS4.1-RK4.1-2/G5

43-11758

TPU, UL, violet, O2YSH(ST)CH



0,5

SAL-DS-SKSW9.1-12B-RS4.1-RK4.1-0,5/G4

43-11753

1

2 x 22

SAL-DS-SKSW9.1-12B-RS4.1-RK4.1-1/G4

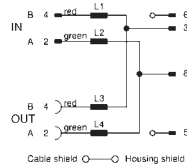
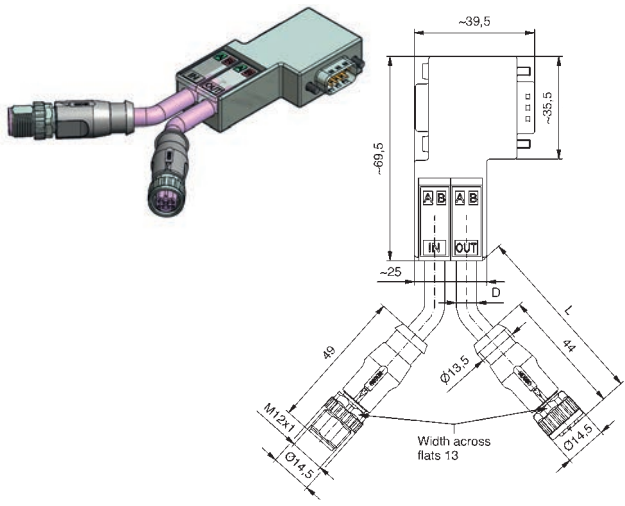
43-11754

2

SAL-DS-SKSW9.1-12B-RS4.1-RK4.1-2/G4

43-11755

TPE, UL, highflexible, violet, O2YS(ST)C11Y



0,5

SAL-DS-SKSW9.1-12B-RS4.1-RK4.1-0,5/G7

43-11759

1

2 x 23

SAL-DS-SKSW9.1-12B-RS4.1-RK4.1-1/G7

43-11760

2

SAL-DS-SKSW9.1-12B-RS4.1-RK4.1-2/G7

43-11761

D-SUB – M12x1 PROFIBUS DP Connecting cable

D-SUB Male connector 9-pos., angled with programming interface
Male connector M12x1 axial, 4-pos.

PVC, UL, violet, O2YSY(ST)CY

Contact assignment

Number of poles

Coding

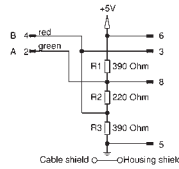
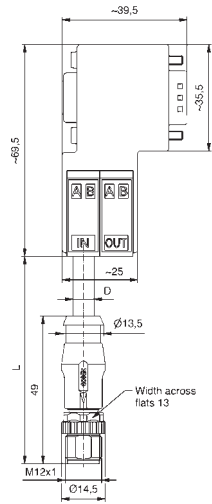
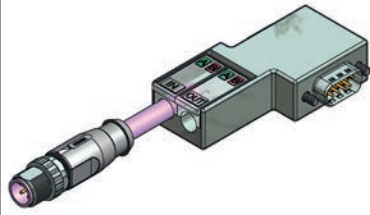
Rated voltage [V]

Cable length = L [m]

Wire cross section [AWG]

Description

Part No.



9/4

B

4,75 - 5,25 V DC

3

2 x 22

SAL-DS-SKSW9-12B-RS4.1-2/G5

43-11747

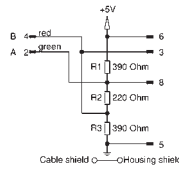
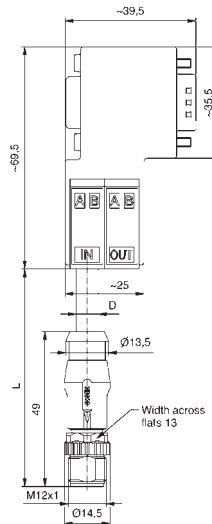
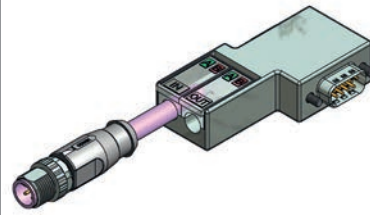
SAL-DS-SKSW9-12B-RS4.1-3/G5

43-11748

SAL-DS-SKSW9-12B-RS4.1-5/G5

43-11749

TPU, UL, violet, O2YSH(ST)CH



9/4

B

4,75 - 5,25 V DC

3

2 x 22

SAL-DS-SKSW9-12B-RS4.1-2/G4

43-11744

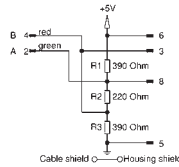
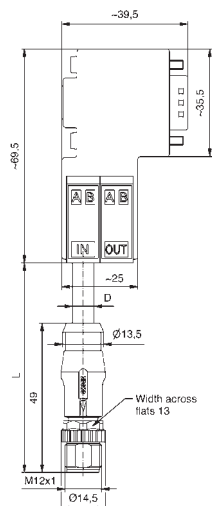
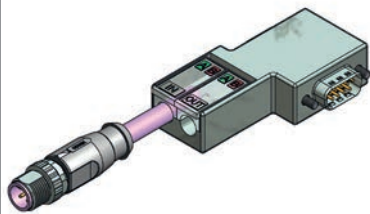
SAL-DS-SKSW9-12B-RS4.1-3/G4

43-11745

SAL-DS-SKSW9-12B-RS4.1-5/G4

43-11746

TPE, UL, highflexible, violet, O2YS(ST)C11Y



9/4

B

4,75 - 5,25 V DC

3

2 x 23

SAL-DS-SKSW9-12B-RS4.1-2/G7

43-11750

SAL-DS-SKSW9-12B-RS4.1-3/G7

43-11751

SAL-DS-SKSW9-12B-RS4.1-5/G7

43-11752

D-SUB – M12x1 PROFIBUS DP Connecting cable

D-SUB Male connector 9-pos., angled with programming interface
Female connector M12x1 axial, 4-pos.

PVC, UL, violet, O2YSY(ST)CY

Contact assignment

Number of poles

Coding

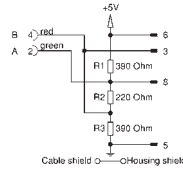
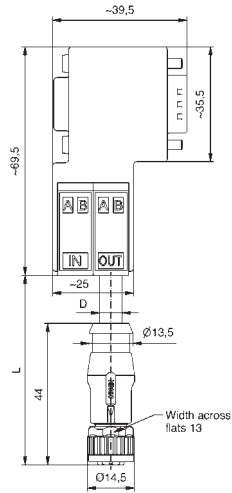
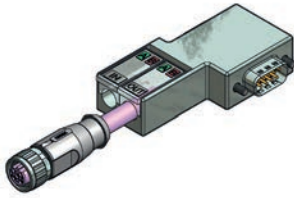
Rated voltage [V]

Cable length = L [m]

Wire cross section [AWG]

Description

Part No.



9/4

B

4,75 - 5,25 V DC

2

2 x 22

SAL-DS-SKSW9-12B-RK4.1-2 / G5

43-11738

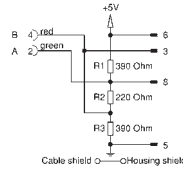
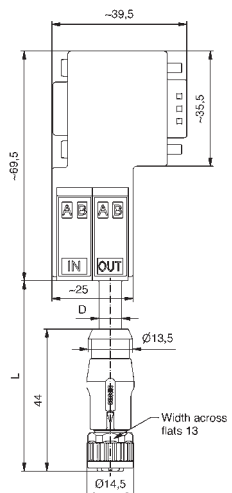
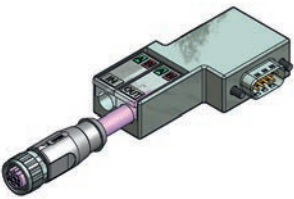
SAL-DS-SKSW9-12B-RK4.1-3 / G5

43-11739

SAL-DS-SKSW9-12B-RK4.1-5 / G5

43-11740

TPU, UL, violet, O2YSH(ST)CH



9/4

B

4,75 - 5,25 V DC

2

2 x 22

SAL-DS-SKSW9-12B-RK4.1-2 / G4

43-11735

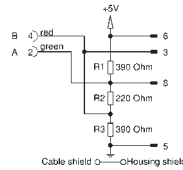
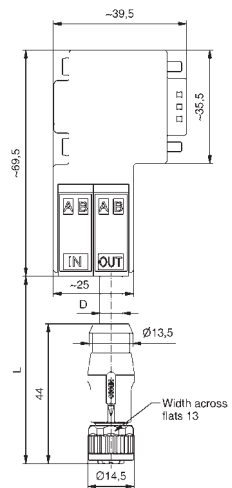
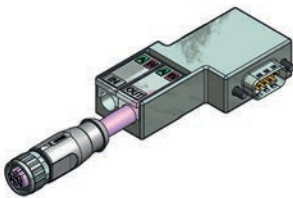
SAL-DS-SKSW9-12B-RK4.1-3 / G4

43-11736

SAL-DS-SKSW9-12B-RK4.1-5 / G4

43-11737

TPE, UL, highflexible, violet, O2YS(ST)C11Y



9/4

B

4,75 - 5,25 V DC

2

2 x 23

SAL-DS-SKSW9-12B-RK4.1-2 / G7

43-11741

SAL-DS-SKSW9-12B-RK4.1-3 / G7

43-11742

SAL-DS-SKSW9-12B-RK4.1-5 / G7

43-11743

SOCKETS FÜR BUS-SYSTEMS
D-SUB auf M12x1 – Profibus DP Connecting cable

D-SUB Male connector 9-pos., angled with programming interface
 Female socket, M12x1, axial 4-pos. Back panel mounting

TPU, UL, violet, O2YSH(ST)CH

Contact assignment

Number of poles

Coding

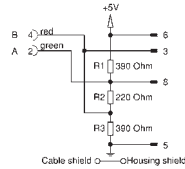
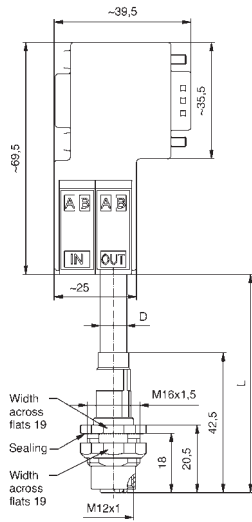
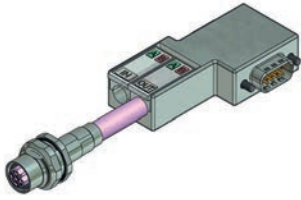
Rated voltage [V]

Cable length = L [m]

Wire cross section [AWG]

Description

Part No.



9/4

B

160 V

1

2 x 22

SAL-DS-SKSW9-12B-FKH4.1-0,5 / G4

43-01675

SAL-DS-SKSW9-12B-FKH4.1-1 / G4

43-01676

SAL-DS-SKSW9-12B-FKH4.1-2 / G4

43-01677

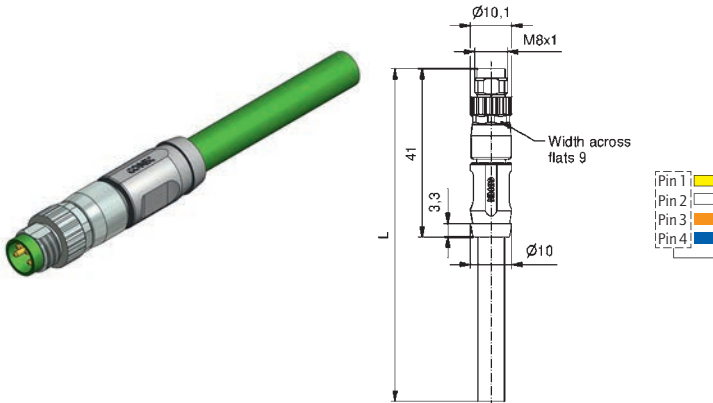
M8x1 INDUSTRIAL ETHERNET 100MHz OVERMOULDED 360° Shielding

Male connector axial

TPU, UL, halogenfree, green, Cat 5e

Contact assignment

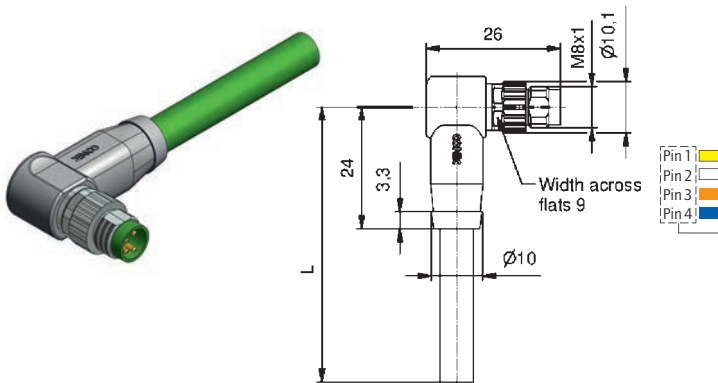
Number of poles	Coding	Rated voltage [V]	Current rating [A]	Cable length = L [m]	Wire cross section [AWG]	Description	Part No.
4		30	3	4 x 22	2	SAL-8S-RS4.2-2-/ G6/034	42-13469
					3	SAL-8S-RS4.2-3-/ G6/034	42-13470
					5	SAL-8S-RS4.2-5-/ G6/034	42-13471
					10	SAL-8S-RS4.2-10-/ G6/034	42-13472



Male connector angled

TPU, UL, halogenfree, green, Cat 5e

4		30	3	4 x 22	2	SAL-8S-RSW4.2-2-/ G6/034	42-13473
					3	SAL-8S-RSW4.2-3-/ G6/034	42-13474
					5	SAL-8S-RSW4.2-5-/ G6/034	42-13475
					10	SAL-8S-RSW4.2-10-/ G6/034	42-13476



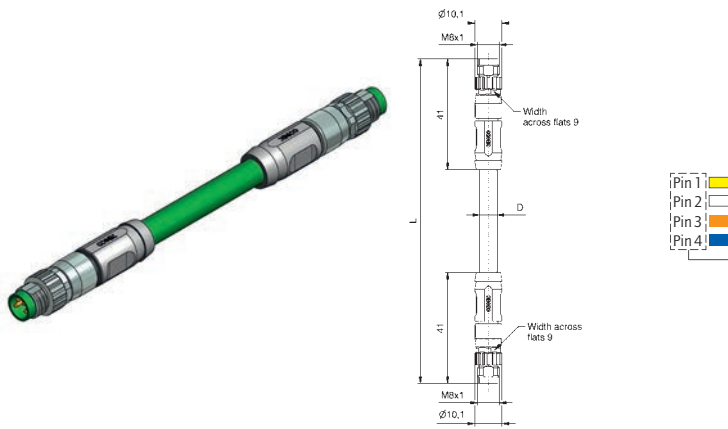
M8x1 INDUSTRIAL ETHERNET 100MHz OVERMOULDED Connecting cable with 360° Shielding

Male connector axial
Male connector axial

TPU, UL, halogenfree, green, Cat 5e

Contact assignment

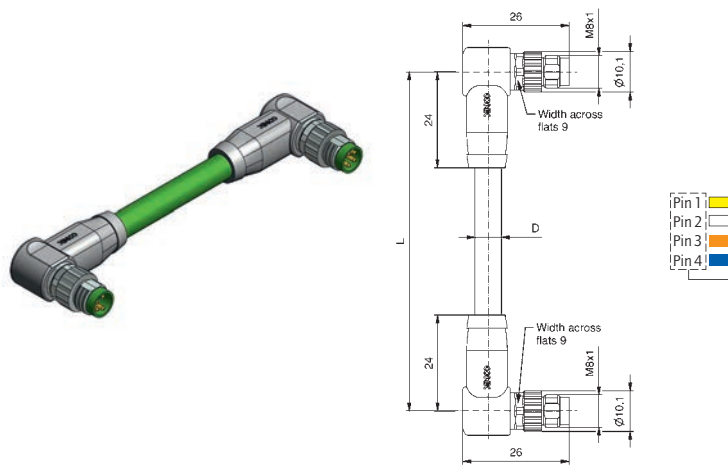
Number of poles	Coding	Rated voltage [V]	Current rating [A]	Cable length = L [m]	Wire cross section [AWG]	Description	Part No.
4		30	3	4 x 22		SAL-8S-RS4.2-RS4.2-1/G6/034	42-13477
						SAL-8S-RS4.2-RS4.2-2/G6/034	42-13478
						SAL-8S-RS4.2-RS4.2-5/G6/034	42-13479
						SAL-8S-RS4.2-RS4.2-10G6/034	42-13480



Male connector angled
Male connector angled

TPU, UL, halogenfree, green, Cat 5e

Number of poles	Coding	Rated voltage [V]	Current rating [A]	Cable length = L [m]	Wire cross section [AWG]	Description	Part No.
4		30	3	4 x 22		SAL-8S-RSW4.2-RSW4.2-1/G6/034	42-13481
						SAL-8S-RSW4.2-RSW4.2-2/G6/034	42-13482
						SAL-8S-RSW4.2-RSW4.2-5/G6/034	42-13483
						SAL-8S-RSW4.2-RSW4.2-10/G6/034	42-13484

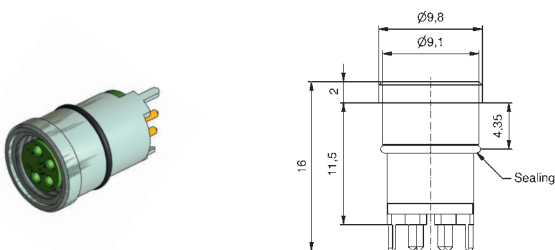


M8x1 INDUSTRIAL ETHERNET 100MHz Socket

Front panel mounting, Dip solder termination

Female connector axial, shielded

Number of poles	Coding	Rated voltage [V]	Current rating [A]	Installation height [mm]	Description	Part No.
4		30	3	16	SAL-8D-EKVM4-P16	42-01052



M12X1 INDUSTRIAL ETHERNET 100MHz OVERMOULDED 360° Shielding

Male connector axial

TPU, UL, halogenfree, green, Cat 5e

Contact assignment

	Number of poles	Coding	Rated voltage [V]	Current rating [A]	Cable length = L [m]	Wire cross section [AWG]	Description	Part No.
	4	D	160	4	4 x 22		SAL-12D-RS4.2-2 / G6	43-10944
							SAL-12D-RS4.2-3 / G6	43-10945
							SAL-12D-RS4.2-5 / G6	43-10946
							SAL-12D-RS4.2-10 / G6	43-10947

M12X1 INDUSTRIAL ETHERNET 100MHz Connecting cable with 360° Shielding

Male connector axial
Male connector axial

TPU, UL, halogenfree, green, Cat 5e

	Number of poles	Coding	Rated voltage [V]	Current rating [A]	Cable length = L [m]	Wire cross section [AWG]	Description	Part No.
	4	D	160	4	4 x 22		SAL-12D-RS4.2-RS4.2-0,3 / G6	43-10948
							SAL-12D-RS4.2-RS4.2-0,6 / G6	43-10949
							SAL-12D-RS4.2-RS4.2-1,5 / G6	43-10950
							SAL-12D-RS4.2-RS4.2-3 / G6	43-10951

M12x1 - RJ45 INDUSTRIAL ETHERNET 100MHz
Connecting cable with 360° Shielding

Female socket Back panel mounting
Male connector axial

TPU, UL, halogenfree, green, Cat 5e

Contact assignment

Number of poles	Coding	Rated voltage [V]	Current rating [A]	Cable length = L [m]	Wire cross section [AWG]	
4	D	160	4	1	4 x 22	
						0,5
						2

Description	Part No.
SAL-12D-FKH4.2-RS4.2-0,5 / G6	43-01672
SAL-12D-FKH4.2-RS4.2-1 / G6	43-01673
SAL-12D-FKH4.2-RS4.2-2 / G6	43-01674

Male connector RJ45 field attachable
Male connector M12x1 axial, overmoulded

TPU, UL, halogenfree, green, Cat 5e

Description	Part No.
SAL-45-SS4-12D-RS4.2-0,3 / G6	43-12484
SAL-45-SS4-12D-RS4.2-0,6 / G6	43-12485
SAL-45-SS4-12D-RS4.2-1,5 / G6	43-10996
SAL-45-SS4-12D-RS4.2-3 / G6	43-10997

Male connector RJ45 field attachable
Female socket, Back panel mounting

TPU, UL, halogenfree, green, Cat 5e

Description	Part No.
SAL-45-SS4-12D-FKH4.2-0,5 / G6	43-01678
SAL-45-SS4-12D-FKH4.2-1 / G6	43-01679
SAL-45-SS4-12D-FKH4.2-2 / G6	43-01680

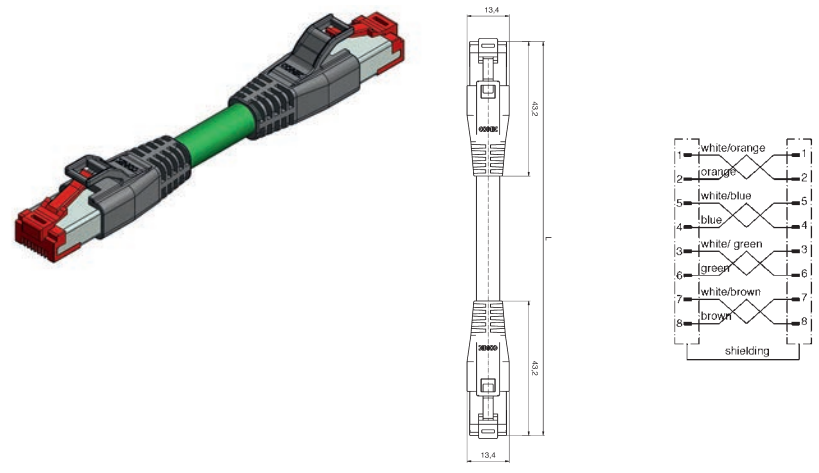
RJ45 INDUSTRIAL ETHERNET 100 MHz, AWG 24
Connecting cable , overmoulded

Male connector RJ45 axial
Male connector RJ45 axial

PVC, UL, green, Cat 5e

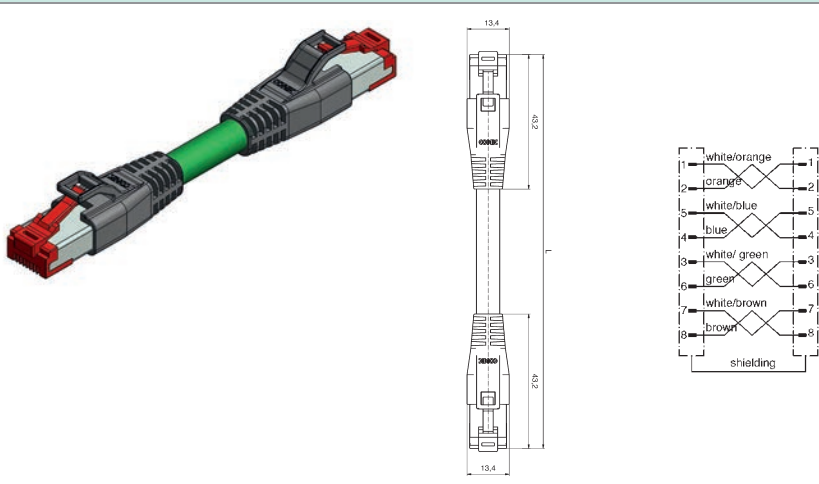
Contact assignment

Number of poles	Rated voltage [V]	Current rating [A]	Cable length = L [m]	Wire cross section [AWG]	Description	Part No.
8	125	1	0,3	4 x 2 x 24	RJ-45-RS8.31-RS8.31-0,3/GAJ/025	17-500720
					RJ-45-RS8.31-RS8.31-0,6/GAJ/025	17-500721
					RJ-45-RS8.31-RS8.31-1,5/GAJ/025	17-500722
					RJ-45-RS8.31-RS8.31-3/GAJ/025	17-500723



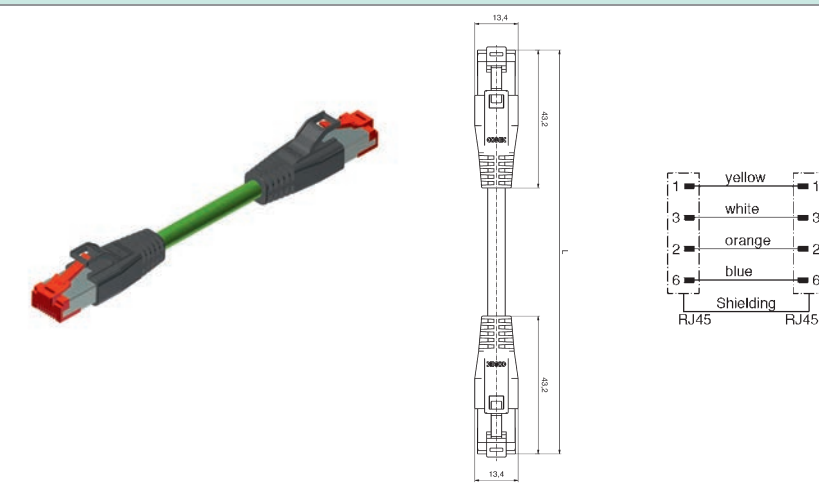
TPU, UL, green, Cat 5e

8	125	1	0,3	4 x 2 x 24	RJ-45-RS8.31-RS8.31-0,3/GAF/025	17-500724
					RJ-45-RS8.31-RS8.31-0,6/GAF/025	17-500725
					RJ-45-RS8.31-RS8.31-1,5/GAF/025	17-500726
					RJ-45-RS8.31-RS8.31-3/GAF/025	17-500727



TPU, green, cULus 20236, Cat 5e

4	125	1	1	4 x 1 x 24	RJ-45S-RS8.36-RS8.36-1/GAF/025	17-140013
					RJ-45S-RS8.36-RS8.36-2/GAF/025	17-140023
					RJ-45S-RS8.36-RS8.36-5/GAF/025	17-140033
					RJ-45S-RS8.36-RS8.36-10/GAF/025	17-140043



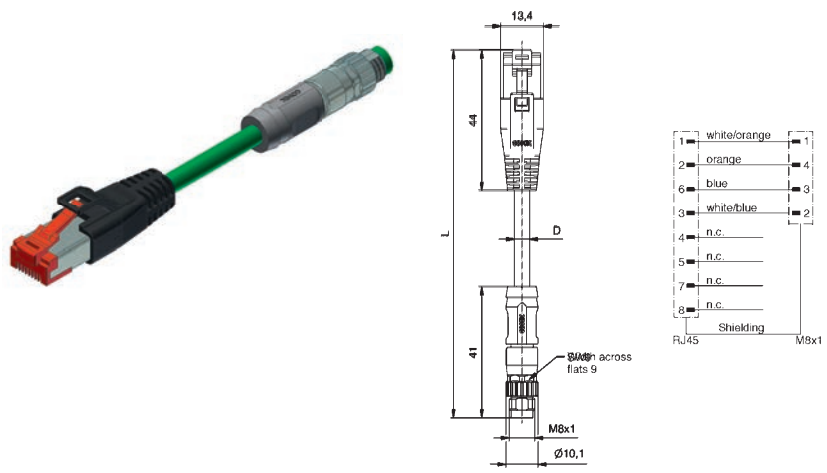
RJ45 – INDUSTRIAL ETHERNET 100 MHz, AWG 26
Connecting cable, overmoulded

Male connector M8x1 axial
Male connector M8x1 axial

TPU, green, cULus 20236, Cat 5e

Contact assignment

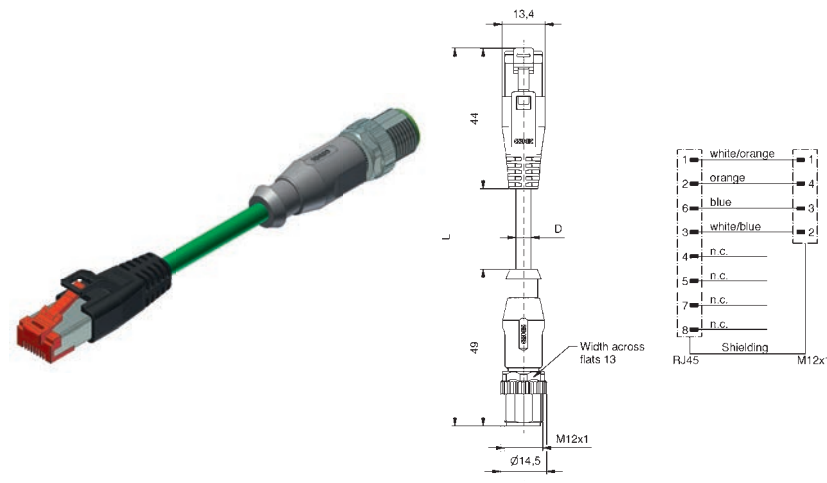
Number of poles	Coding	Rated voltage [V]	Current rating [A]	Cable length = L [m]	Wire cross section [AWG]	Description	Part No.
4	D	30	1	0,3	4 x 26	SAL-45S-RS8.33-8D-RS4.24-0,3/GD/014	42-13316
						SAL-45S-RS8.33-8D-RS4.24-1,5/GD/014	42-13317



Male connector RJ45 axial
Male connector M12x1 axial

TPU, green, cULus 20236, Cat 5e

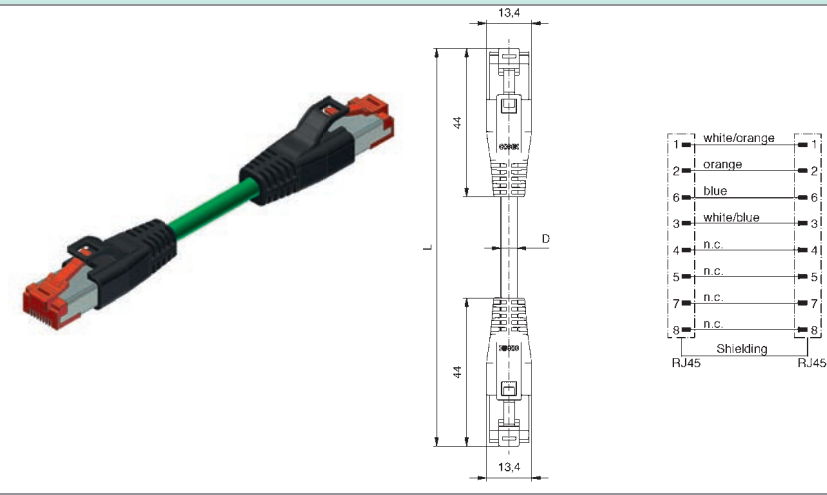
4	D	30	1	0,3	4 x 26	SAL-45S-RS8.33-12D-RS4.24-0,3/GD/014	43-18908
						SAL-45S-RS8.33-12D-RS4.24-1,5/GD/014	43-18909



Male connector RJ45 axial
Male connector RJ45 axial

TPU, green, cULus 20236, Cat 5e


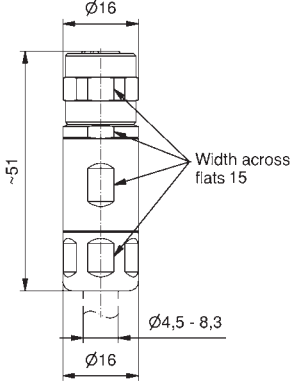
4	D	30	1	0,3	4 x 26	RJ-45S-RS8.33-RS8.33-0,3/GD/014	43-18910
						RJ-45S-RS8.33-RS8.33-1,5/GD/014	43-18911




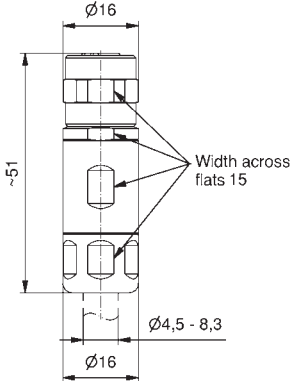
**M12x1 INDUSTRIAL ETHERNET 100MHz FIELD ATTACHABLE
360° Shielding**

Crimp termination

Female connetor axial

		Number of poles	Coding	Rated voltage [V]	Current rating [A]	Outer Ø cable [mm]	Wire cross section min-max [mm ²]	Description	Part No.
		4	D	250	4	4,5 - 8,3	0,25 - 1,0	SAL-12D-RKC4-C/100	43-00416

Male connector axial

		4	D	250	4	4,5 - 8,3	0,25 - 1,0	SAL-12D-RSC4-C/100	43-00417
--	--	---	---	-----	---	-----------	------------	--------------------	----------

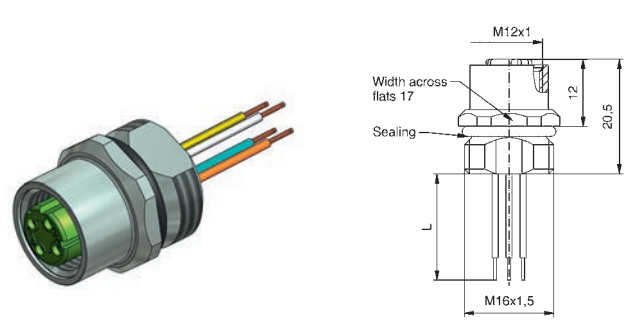
M12x1 INDUSTRIAL ETHERNET 100MHz Sockets

Front panel mounting, Wire termination

Female connector, M16x1.5 thread

Contact assignment

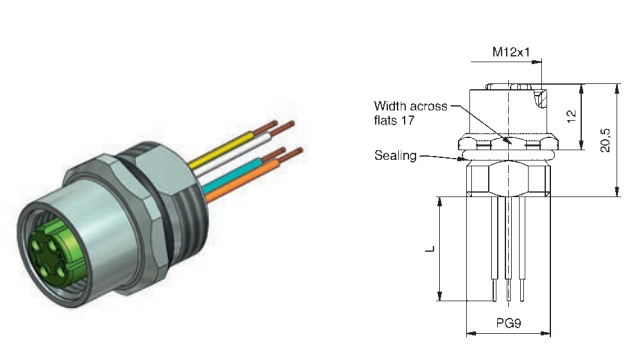
Number of poles	Coding	Rated voltage [V]	Current rating [A]	Wire material	Wire cross section [AWG]	Wire length = l [mm]	Description	Part No.
4	D	250	4	PVC	22	0,5	SAL-12D-FK4.2-0,5	43-01044



- Pin 1 ■
- Pin 2 ■
- Pin 3 ■
- Pin 4 ■

Female connector, PG9 thread

4	D	250	4	PVC	22	0,5	SAL-12D-FK4.2-0,5-9	43-01111
---	---	-----	---	-----	----	-----	---------------------	----------

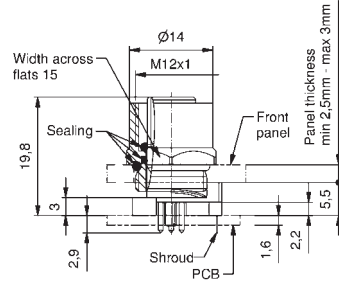


- Pin 1 ■
- Pin 2 ■
- Pin 3 ■
- Pin 4 ■

M12x1 INDUSTRIAL ETHERNET 100MHz Sockets

Front panel mounting, Dip solder termination

Two-piece female connector, axial with shroud, installation height 5.5 mm



Number of poles

Coding

Rated voltage [V]

Current rating [A]

Installation height [mm]

Description

Part No.

4

D

250

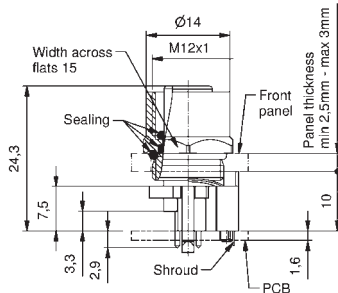
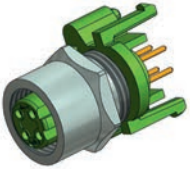
4

5,5

SAL-12D-FK4-X5,5

43-01222

Two-piece female connector, axial with shroud, installation height 10 mm



4

D

250

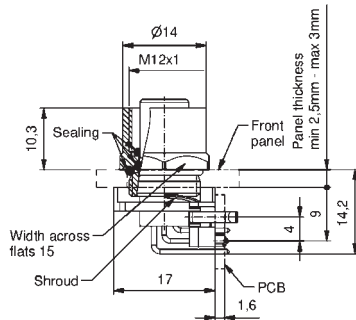
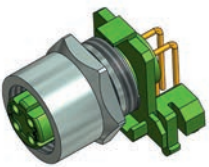
4

10

SAL-12D-FK4-X10

43-01220

Two-piece female connector, angled with shroud



4

D

250

4

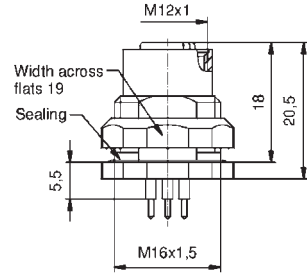
SAL-12D-FKW4

43-01228

M12x1 INDUSTRIAL ETHERNET 100MHz Sockets

Back panel mounting, Dip solder termination

Female connector, M16x1.5 thread



Number of poles

Coding

Rated voltage [V]

Current rating [A]

Installation height [mm]

Description

Part No.

4

D

250

4

5,5

SAL-12D-FKH4-P5,5

43-01157

4

D

250

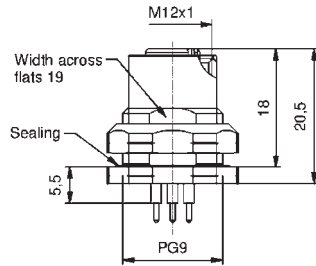
4

12

SAL-12D-FKH4-P12

43-01118

Female connector, PG9 thread



4

D

250

4

5,5

SAL-12D-FKH4-P5,5-9

43-01236

4

D

250

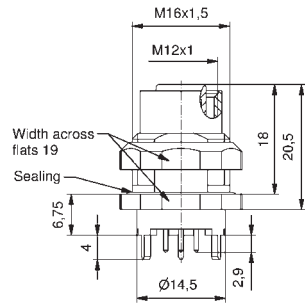
4

12

SAL-12D-FKH4-P12-9

43-01248

Female connector with shielded connection, M16x1.5 thread



4

D

250

4

6,75

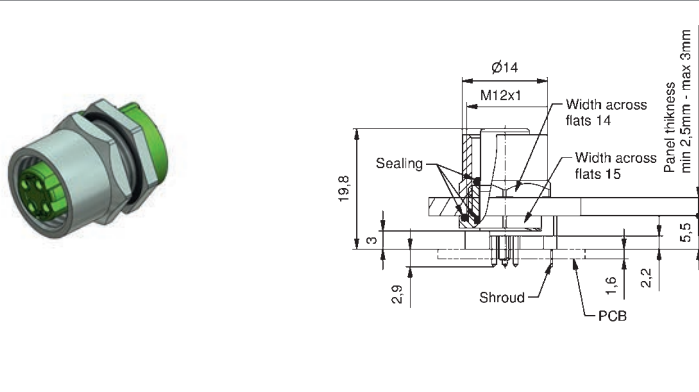
SAL-12D-FKH4-P6,75

43-01690

M12x1 INDUSTRIAL ETHERNET 100MHz Sockets

Back panel mounting, Dip solder termination

Two-piece female connector, axial with shroud, installation height 5,5 mm



Number of poles

Coding

Rated voltage [V]

Current rating [A]

Installation height [mm]

Description

Part No.

4

D

250

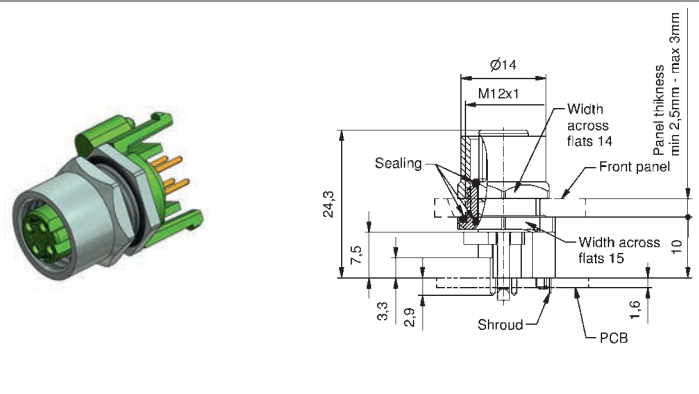
4

5,5

SAL-12D-FKH4-X5,5

43-01223

Two-piece female connector, axial with shroud, installation height 10 mm



4

D

250

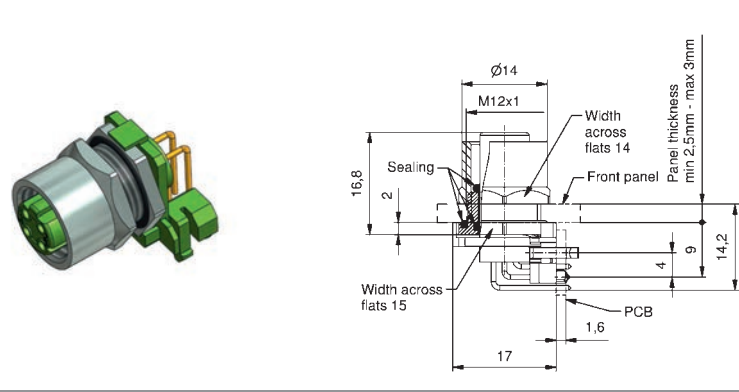
4

10

SAL-12D-FKH4-X10

43-01221

Two-piece female connector, angled with shroud



4

D

250

4

SAL-12D-FKHW4

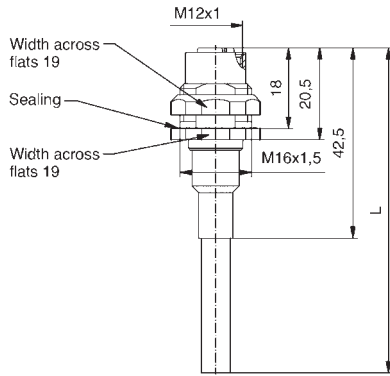
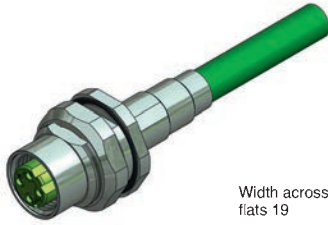
43-01229

M12x1 INDUSTRIAL ETHERNET 100MHz
Sockets with 360° shielding

Back panel mounting with cable

Female connector M16x1.5 thread, TPU, UL, halogenfree, green, Cat 5e

Contact assignment



- Pin 1 ■
- Pin 2 ■
- Pin 3 ■
- Pin 4 ■

Number of poles	Coding	Rated voltage [V]	Current rating [A]	Cable length = L [m]	Wire cross section [AWG]	Description	Part No.
4	D	160	4	0,5	4 x 22	SAL-12D-FKH4.2-0,5/ G6	43-01660
4	D	160	4	1	4 x 22	SAL-12D-FKH4.2-1/ G6	43-01661
4	D	160	4	2	4 x 22	SAL-12D-FKH4.2-2/ G6	43-01662

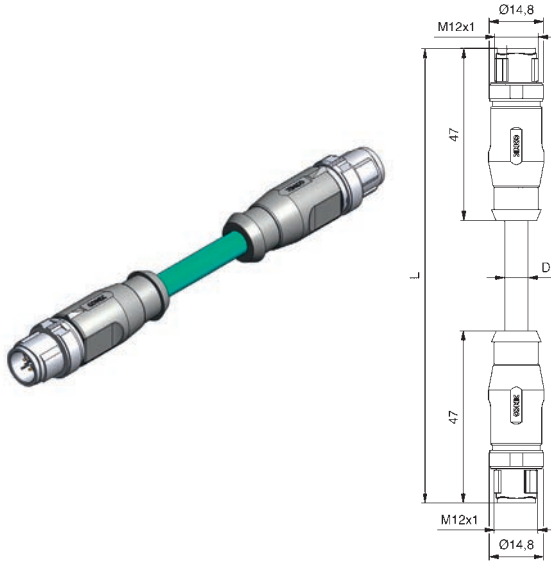
M12x1 ETHERNET 10 GBIT/S OVERMOULDED Connecting cable

Male connector axial
Male connector axial

TPU, waterblue, S-FTP

Contact assignment

Number of poles	Coding	Rated voltage [V]	Current rating [A]	Cable length = L [m]	Wire cross section [AWG]	Description	Part No.
1				1		SAL-12X-RS8.8-RS8.8-1 / GG	43-15364
2				2		SAL-12X-RS8.8-RS8.8-2 / GG	43-15365
5				5		SAL-12X-RS8.8-RS8.8-5 / GG	43-15366
10				10		SAL-12X-RS8.8-RS8.8-10 / GG	43-15367

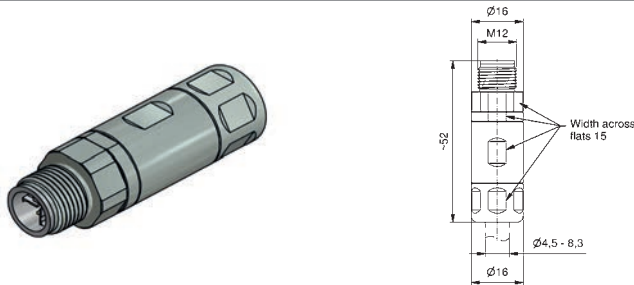


M12x1 ETHERNET 10 GBIT/S FIELD ATTACHABLE

Crimp termination

Male connector, axial

Number of poles	Coding	Rated voltage [V]	Current rating [A]	Outer Ø cable [mm]	Wire cross section min-max [AWG]	Description	Part No.
8	X	48	0,5	4,5 - 8,3	28 - 22	SAL-12X-RSC8-C/034	43-00418

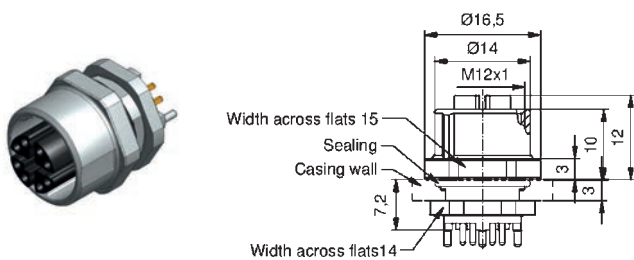


M12x1 ETHERNET 10 GBIT/S SOCKETS

Front panel mounting, Dip solder termination

Female connector, installation height 7.2 mm

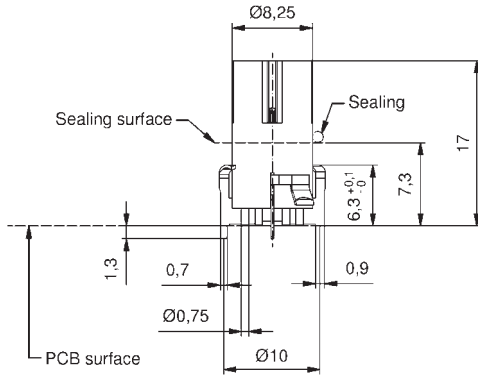
Number of poles	Coding	Rated voltage [V]	Current rating [A]	Installation height [mm]	Description	Part No.
8	X	48	0,5	7,2	SAL-12X-FK8.8-X7,2-12	43-01847



**M12x1 ETHERNET 10 GBIT/S
Sockets SMT**

Front panel mounting

Insulation body SMT



Number of poles

Coding

Rated voltage [V]

Current rating [A]

Installation height [mm]

Description

Part No.

8

X

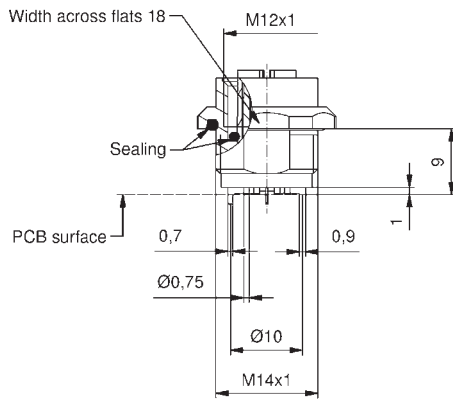
48

0,5

SAL-12X-1K8/SMT

43-02362

Female connector SMT, installation height 9 mm



8

X

48

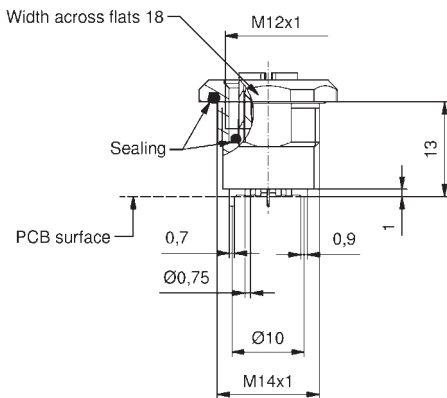
0,5

9

SAL-12X-FK8-X9/
SMT

43-02757

Female connector SMT, installation height 13 mm



8

X

48

0,5

13

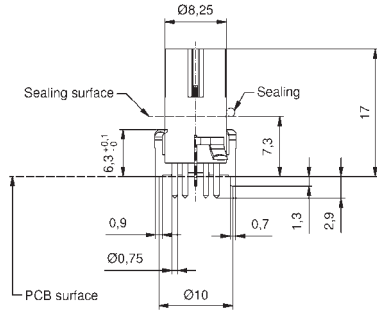
SAL-12X-FK8-X13/
SMT

43-02759

**M12x1 ETHERNET 10 GBIT/S
Sockets THR**

Front panel mounting

Insulation body THR



Number of poles

Coding

Rated voltage [V]

Current rating [A]

Installation height [mm]

Description

Part No.

8

X

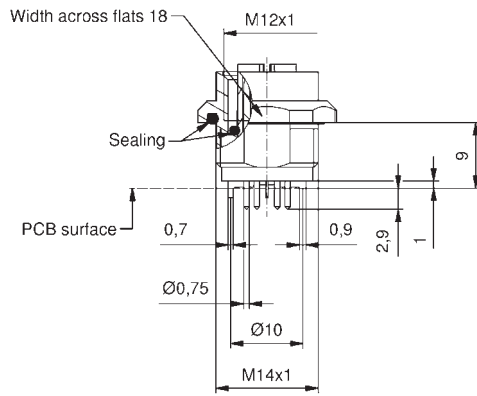
48

0,5

SAL-12X-1K8/THR

43-02363

Female connector THR, installation height 9 mm



8

X

48

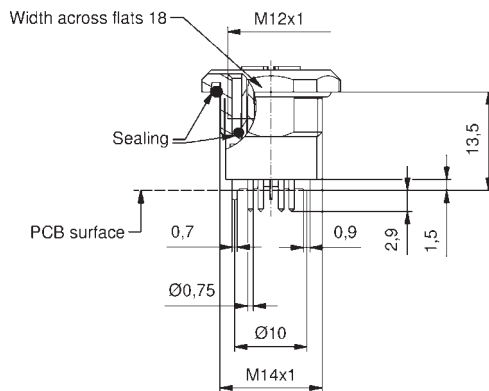
0,5

9

SAL-12X-FK8-X9/
THR

43-02758

Female connector THR, installation height 13 mm



8

X

48

0,5

13

SAL-12X-FK8-X13/
THR

43-02760

M12x1 CONEC ETHERCORD

Connecting cable with 360° shielding

Male connector axial
Male connector axial

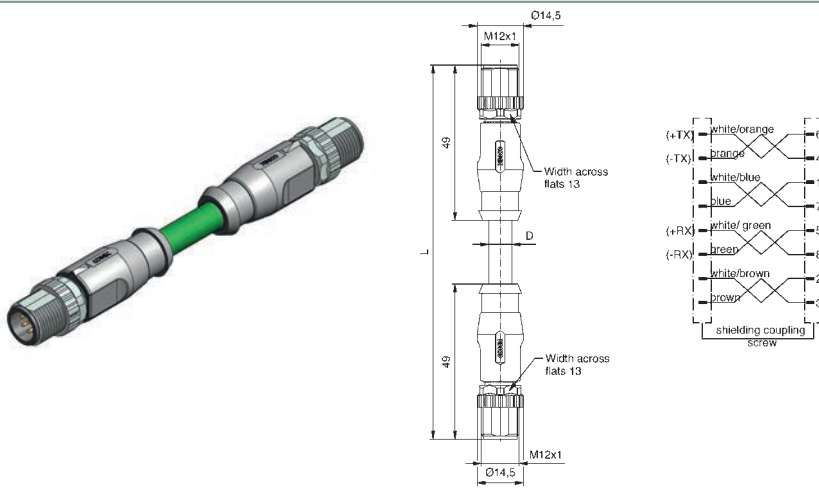
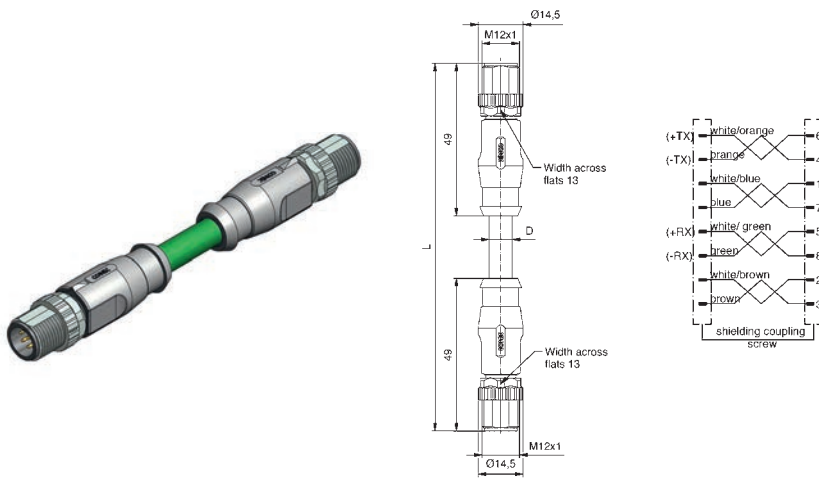
PVC, UL, green, Cat 5e

Contact assignment

Number of poles	Coding	Rated voltage [V]	Current rating [A]	Cable length = L [m]	Wire cross section [AWG]	Description	Part No.
8	A	30	1	4 x 2 x 24	0,3	SAL-12S-RS8.23-RS8.23-0,3/GAJ	43-16998
					0,6	SAL-12S-RS8.23-RS8.23-0,6/GAJ	43-16999
					1,5	SAL-12S-RS8.23-RS8.23-1,5/GAJ	43-17000
					3	SAL-12S-RS8.23-RS8.23-3/GAJ	43-17001

TPU, UL, green, Cat 5e

8	A	30	1	4 x 2 x 24	0,3	SAL-12S-RS8.23-RS8.23-0,3/GAF	43-17002
					0,6	SAL-12S-RS8.23-RS8.23-0,6/GAF	43-17003
					1,5	SAL-12S-RS8.23-RS8.23-1,5/GAF	43-17004
					3	SAL-12S-RS8.23-RS8.23-3/GAF	43-17005


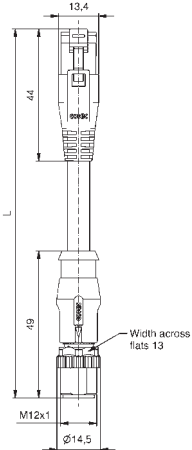
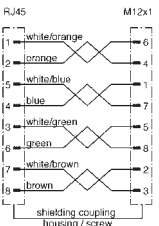


RJ45 – M12x1 CONEC ETHERCORD
Connecting cable with 360° shielding


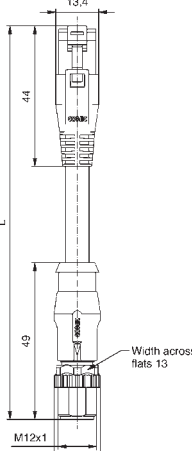
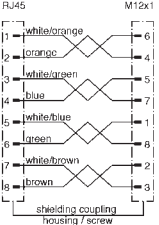
Male connector RJ45 axial
Male connector M12x1 axial

PVC, UL green, Cat 5e

Contact assignment

	Number of poles	Coding	Rated voltage [V]	Current rating [A]	Cable length = L [m]	Wire cross section [AWG]	Description	Part No.
  	8	A	30	1	4 x 2 x 24	0,3	SAL-45S-RS8.31-12S-RS8.23-0,3/GAJ	43-18411
						0,6	SAL-45S-RS8.31-12S-RS8.23-0,6/GAJ	43-18412
						1,5	SAL-45S-RS8.31-12S-RS8.23-1,5/GAJ	43-18413
						3	SAL-45S-RS8.31-12S-RS8.23-3/GAJ	43-18414

TPU, UL, green, Cat 5e

  	8	A	30	1	4 x 2 x 24	0,3	SAL-45S-RS8.31-12S-RS8.23-0,3/GAF	43-18415
						0,6	SAL-45S-RS8.31-12S-RS8.23-0,6/GAF	43-18416
						1,5	SAL-45S-RS8.31-12S-RS8.23-1,5/GAF	43-18417
						3	SAL-45S-RS8.31-12S-RS8.23-3/GAF	43-18382

M12x1 DEVICENET OVERMOULDED

Female connector axial

PVC, UL, grey

Contact assignment

Number of poles

Coding

Rated voltage [V]


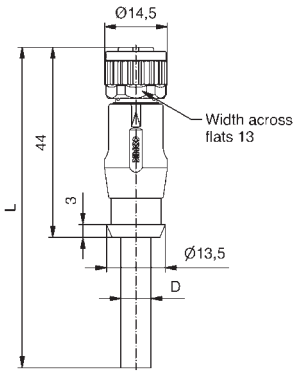





Current rating [A]

Cable length = L [m]

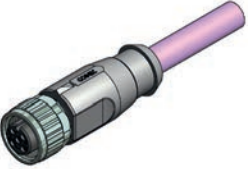
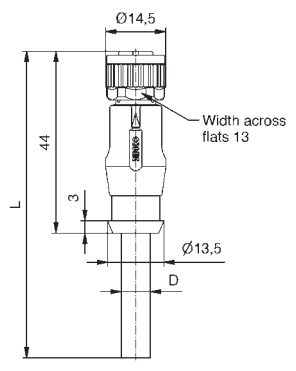

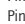



Wire cross section [AWG]

Description

Part No.


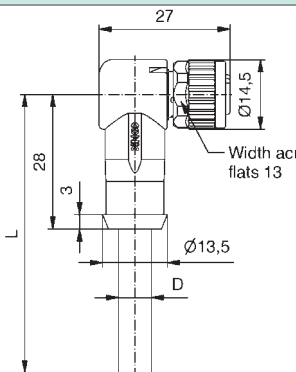

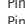



		<p>Pin 1  (Schirm/shielding)</p> <p>Pin 2  (+)</p> <p>Pin 3  (-)</p> <p>Pin 4  (CAN H)</p> <p>Pin 5  (CAN L)</p>	5	A	60	4	2	SAL-DN-12-RK5.3-2 / GC	43-12508
			3	3	SAL-DN-12-RK5.3-3 / GC	43-12509			
			5	5	SAL-DN-12-RK5.3-5 / GC	43-12510			
			10	10	SAL-DN-12-RK5.3-10 / GC	43-12511			

TPU, UL, violet

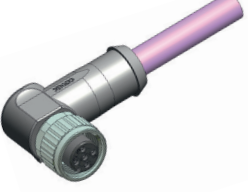
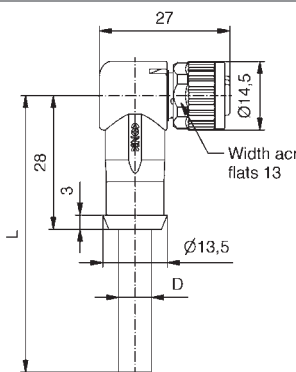

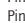



		<p>Pin 1  (Schirm/shielding)</p> <p>Pin 2  (+)</p> <p>Pin 3  (-)</p> <p>Pin 4  (CAN H)</p> <p>Pin 5  (CAN L)</p>	5	A	60	4	2	SAL-DN-12-RK5.3-2 / GJ	43-12512
			3	3	SAL-DN-12-RK5.3-3 / GJ	43-12513			
			5	5	SAL-DN-12-RK5.3-5 / GJ	43-12514			
			10	10	SAL-DN-12-RK5.3-10 / GJ	43-12515			

Female connector angled

PVC, UL, grey

		<p>Pin 1  (Schirm/shielding)</p> <p>Pin 2  (+)</p> <p>Pin 3  (-)</p> <p>Pin 4  (CAN H)</p> <p>Pin 5  (CAN L)</p>	5	A	60	4	2	SAL-DN-12-RKW5.3-2 / GC	43-12516
			3	3	SAL-DN-12-RKW5.3-3 / GC	43-12517			
			5	5	SAL-DN-12-RKW5.3-5 / GC	43-12518			
			10	10	SAL-DN-12-RKW5.3-10 / GC	43-12519			

TPU, UL, violet

		<p>Pin 1  (Schirm/shielding)</p> <p>Pin 2  (+)</p> <p>Pin 3  (-)</p> <p>Pin 4  (CAN H)</p> <p>Pin 5  (CAN L)</p>	5	A	60	4	2	SAL-DN-12-RKW5.3-2 / GJ	43-12520
			3	3	SAL-DN-12-RKW5.3-3 / GJ	43-12521			
			5	5	SAL-DN-12-RKW5.3-5 / GJ	43-12522			
			10	10	SAL-DN-12-RKW5.3-10 / GJ	43-12523			

M12x1 DEVICE NET OVERMOULDED

Male connector axial

PVC, UL, grey

Contact assignment

Number of poles

Coding

Rated voltage [V]

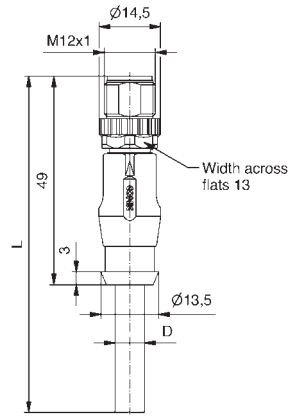
Current rating [A]

Cable length = L [m]

Wire cross section [AWG]

Description

Part No.



- Pin 1 (Schirm/shielding)
- Pin 2 (+)
- Pin 3 (-)
- Pin 4 (CAN H)
- Pin 5 (CAN L)

5

A

60

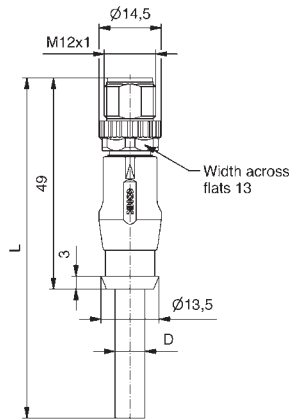
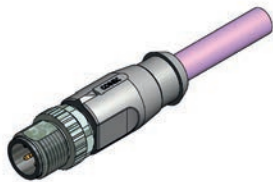
4

2
3
5

2 x 22 + 2 x 23

SAL-DN-12-RS5.3-2/ GC	43-12500
SAL-DN-12-RS5.3-3/ GC	43-12501
SAL-DN-12-RS5.3-5/ GC	43-12502
SAL-DN-12-RS5.3-10/ GC	43-12503

TPU, UL, violet



- Pin 1 (Schirm/shielding)
- Pin 2 (+)
- Pin 3 (-)
- Pin 4 (CAN H)
- Pin 5 (CAN L)

5

A

60

4

2
3
5

2 x 22 + 2 x 23

SAL-DN-12-RS5.3-2/ GJ	43-12504
SAL-DN-12-RS5.3-3/ GJ	43-12505
SAL-DN-12-RS5.3-5/ GJ	43-12506
SAL-DN-12-RS5.3-10/ GJ	43-12507

M12x1 DEVICENET OVERMOULDED Connecting cable

Female connector axial
Male connector axial

PVC, UL, grey

Contact assignment

Number of poles

Coding

Rated voltage [V]


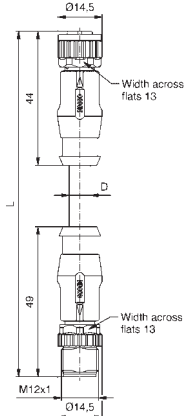


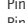

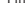
Current rating [A]

Cable length = L [m]


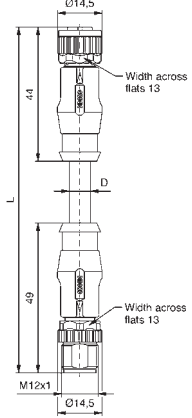



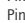

Wire cross section [AWG]

Description

Part No.


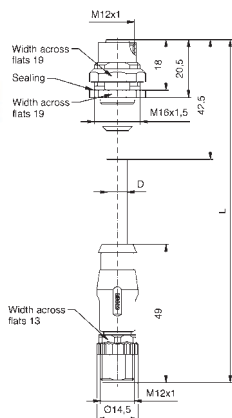

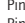



		<p>Pin 1  (Schirm/shielding)</p> <p>Pin 2  (+)</p> <p>Pin 3  (-)</p> <p>Pin 4  (CAN H)</p> <p>Pin 5  (CAN L)</p>	5	A	60	4	2 x 22 + 2 x 23	0,3	SAL-DN-12-RK5.3-RS5.3-0,3/GC	43-12524
								0,6	SAL-DN-12-RK5.3-RS5.3-0,6/GC	43-12525
								1,5	SAL-DN-12-RK5.3-RS5.3-1,5/GC	43-12526
								3	SAL-DN-12-RK5.3-RS5.3-3/GC	43-12527

TPU, UL, violet

		<p>Pin 1  (Schirm/shielding)</p> <p>Pin 2  (+)</p> <p>Pin 3  (-)</p> <p>Pin 4  (CAN H)</p> <p>Pin 5  (CAN L)</p>	5	A	60	4	2 x 22 + 2 x 23	0,3	SAL-DN-12-RK5.3-RS5.3-0,3/GJ	43-12528
								0,6	SAL-DN-12-RK5.3-RS5.3-0,6/GJ	43-12529
								1,5	SAL-DN-12-RK5.3-RS5.3-1,5/GJ	43-12530
								3	SAL-DN-12-RK5.3-RS5.3-3/GJ	43-12531

Female socket, Back panel mounting, with cable
Male connector, axial, overmoulded

TPU, UL, violet

		<p>Pin 1  (Schirm/shielding)</p> <p>Pin 2  (+)</p> <p>Pin 3  (-)</p> <p>Pin 4  (CAN H)</p> <p>Pin 5  (CAN L)</p>	5	A	60	4	2 x 22 + 2 x 23	0,5	SAL-DN-12-FKH5.3-RS5.3-0,5/GJ	43-01666
								1	SAL-DN-12-FKH5.3-RS5.3-1/GJ	43-01667
								2	SAL-DN-12-FKH5.3-RS5.3-2/GJ	43-01668

M12x1 – 7/8" DEVICE NET OVERMOULDED

Connecting cable

Female connector M12x1 axial
Male connector 7/8" axial

PVC, UL, grey

Contact assignment

Number of poles

Coding

Rated voltage [V]


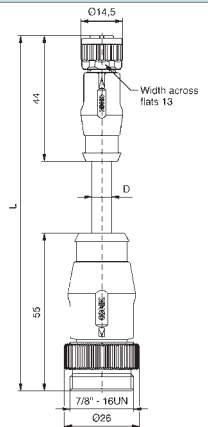
Current rating [A]

Cable length = L [m]


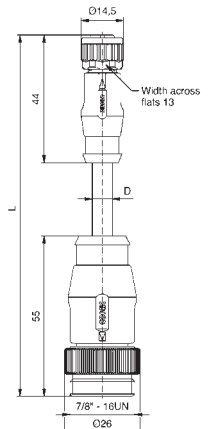
Wire cross section [AWG]

Description

Part No.

		<ul style="list-style-type: none"> Pin 1 (Schirm/shielding) Pin 2 (+) Pin 3 (-) Pin 4 (CAN H) Pin 5 (CAN L) 	5	A	60	4	2 x 22 + 2 x 23	0,3	SAL-DN-12-RK5.3-7/8-RS5.3-0,3 / GC	43-12532
								0,6	SAL-DN-12-RK5.3-7/8-RS5.3-0,6 / GC	43-12533
								1,5	SAL-DN-12-RK5.3-7/8-RS5.3-1,5 / GC	43-12534
								3	SAL-DN-12-RK5.3-7/8-RS5.3-3 / GC	43-12535

TPU, UL, violet

		<ul style="list-style-type: none"> Pin 1 (Schirm/shielding) Pin 2 (+) Pin 3 (-) Pin 4 (CAN H) Pin 5 (CAN L) 	5	A	60	4	2 x 22 + 2 x 23	0,3	SAL-DN-12-RK5.3-7/8-RS5.3-0,3 / GJ	43-12536
								0,6	SAL-DN-12-RK5.3-7/8-RS5.3-0,6 / GJ	43-12537
								1,5	SAL-DN-12-RK5.3-7/8-RS5.3-1,5 / GJ	43-12538
								3	SAL-DN-12-RK5.3-7/8-RS5.3-3 / GJ	43-12539

M12x1 DEVICE NET OVERMOULDED

Terminating plug

Contact assignment


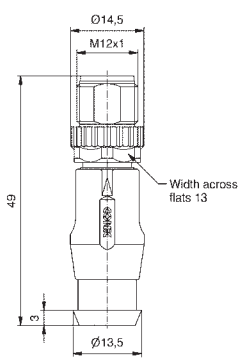
Number of poles

Coding

Rated voltage [V]

Description

Part No.

		<ul style="list-style-type: none"> 1 Shielding 2 + 3 - 4 CAN H 5 CAN L 	5	A	60			SAL-DN-12-RSA5.3	43-12642

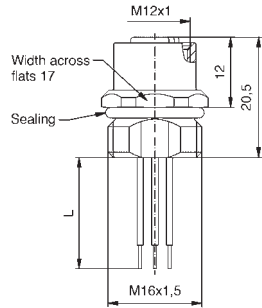
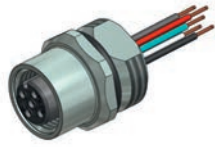
M12x1 DEVICENET SOCKETS

Front panel mounting, Wire termination

Female connector, M16x1.5 thread

Contact assignment

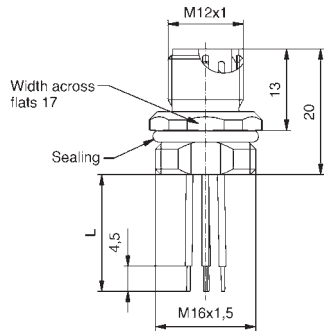
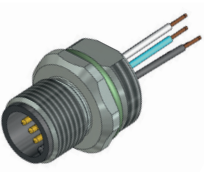
Number of poles	Coding	Rated voltage [V]	Current rating [A]	Wire material	Wire length = L [mm]	Wire cross section [AWG]	Description	Part No.
5	A	60	4	PVC	0,5	24	SAL-DN-12-FK5.3-0,5	43-01367



- Pin 1 (Schirm/shielding)
- Pin 2 (+)
- Pin 3 (-)
- Pin 4 (CAN H)
- Pin 5 (CAN L)

Male connector, M16x1.5 thread

5	A	60	4	PVC	0,5	24	SAL-DN-12-FS5.3-0,5	43-02527
---	---	----	---	-----	-----	----	---------------------	----------



- Pin 1 (Schirm/shielding)
- Pin 2 (+)
- Pin 3 (-)
- Pin 4 (CAN H)
- Pin 5 (CAN L)

M12x1 DEVICE NET SOCKETS

Back panel mounting, Wire termination

Female connector, M16x1.5 thread

Contact assignment

Number of poles	Coding	Rated voltage [V]	Current rating [A]	Wire material	Wire-/ Cable length = L [m]	Wire cross section [AWG]	Description	Part No.
5	A	60	4	PVC	0,5	24	SAL-DN-12-FKH5.3-0,5	43-02246

Male connector, M16x1,5 thread

Number of poles	Coding	Rated voltage [V]	Current rating [A]	Wire material	Wire-/ Cable length = L [m]	Wire cross section [AWG]	Description	Part No.
5	A	60	4	PVC	0,5	24	SAL-DN-12-FSH5.3-0,5	43-01368

Back panel mounting with cable

Female connector, M16x1.5 thread, TPU, UL, violet

Number of poles	Coding	Rated voltage [V]	Current rating [A]	Wire material	Wire-/ Cable length = L [m]	Wire cross section [AWG]	Description	Part No.
5	A	60	4	PVC	0,5	24	SAL-DN-12-FKH5.3-0,5/GJ	43-01642
5	A	60	4	PVC	1	2 x 22 + 2 x 23	SAL-DN-12-FKH5.3-1/GJ	43-01643
5	A	60	4	PVC	2	2 x 22 + 2 x 23	SAL-DN-12-FKH5.3-2/GJ	43-01644

Male connector, M16x1.5 thread, TPU, UL, violet

Number of poles	Coding	Rated voltage [V]	Current rating [A]	Wire material	Wire-/ Cable length = L [m]	Wire cross section [AWG]	Description	Part No.
5	A	60	4	PVC	0,5	24	SAL-DN-12-FSH5.3-0,5/GJ	43-01645
5	A	60	4	PVC	1	2 x 22 + 2 x 23	SAL-DN-12-FSH5.3-1/GJ	43-01646
5	A	60	4	PVC	2	2 x 22 + 2 x 23	SAL-DN-12-FSH5.3-2/GJ	43-01647

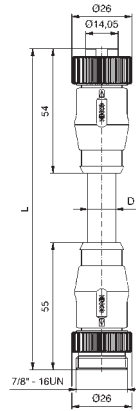
7/8" DEVICENET OVERMOULDED Connecting cable

Female connector axial
Male connector axial

PVC, UL, grey

Contact assignment

Number of poles	Coding	Rated voltage [V]	Current rating [A]	Cable length = L [m]	Wire cross section [AWG]	Description	Part No.
5	A	300	5,2	10	2 x 15 + 2 x 18	SAL-DN-7/8-RK5.3-RS5.3-5/GC	41-01382
						SAL-DN-7/8-RK5.3-RS5.3-10/GC	41-01383
						SAL-DN-7/8-RK5.3-RS5.3-20/GC	41-01384

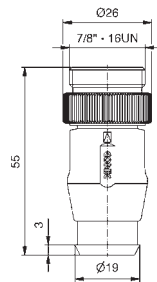


- Pin 1 (Schirm/shielding)
- Pin 2 (+)
- Pin 3 (-)
- Pin 4 (CAN H)
- Pin 5 (CAN L)

7/8" DEVICENET OVERMOULDED

Termination plug

Male connector axial



- 1 - Shielding
 - 2 - +
 - 3 - -
 - 4 - CAN H
 - 5 - CAN L
- R1 120Ω 0,25W

5	A	24				SAL-DN-7/8-RSA5.3	41-01304
---	---	----	--	--	--	-------------------	----------

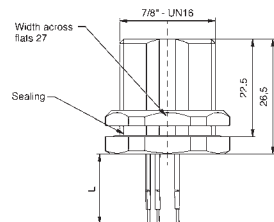
7/8" DEVICENET SOCKETS

Back panel mounting, wire termination

Male connector, M16x1.5 thread

Contact assignment

Number of poles	Coding	Rated voltage [V]	Current rating [A]	Wire material	Wire length = L [mm]	Wire cross section [AWG]	Description	Part No.
5	A	300	10	PVC	0,5	18	SAL-DN-7/8-FSH5.3-0,5	41-40027



- Pin 1 (Schirm/shielding)
- Pin 2 (+)
- Pin 3 (-)
- Pin 4 (CAN H)
- Pin 5 (CAN L)

M12x1 CAN-BUS OVERMOULDED

Female connector axial

PVC violet

Contact assignment

Number of poles

Coding

Rated voltage [V]

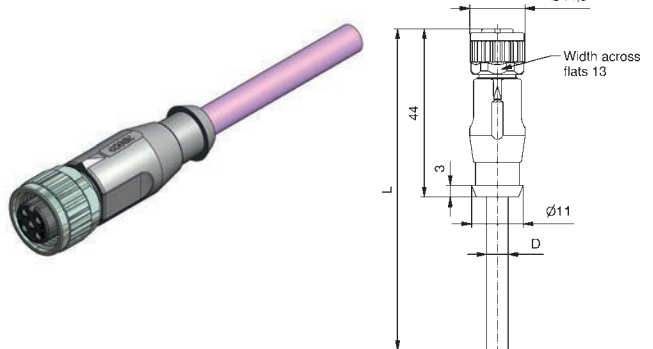
Current rating [A]

Cable length = L [m]

Wire cross section [AWG]

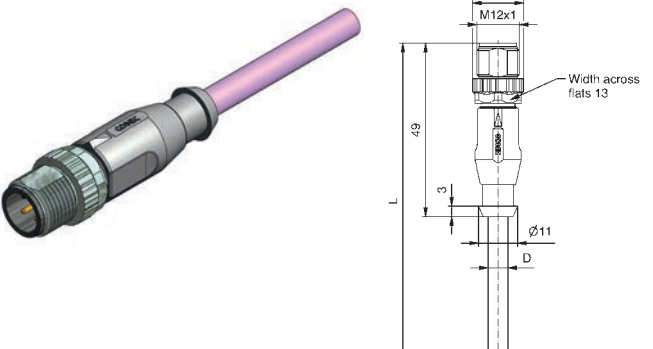
Description

Part No.

	Number of poles	Coding	Rated voltage [V]	Current rating [A]	Cable length = L [m]	Wire cross section [AWG]	Description	Part No.
	4	A	60	4	2	2 x 2 x 24	SAL-CN-12S-RK4.41-2/GU	43-14380
							SAL-CN-12S-RK4.41-3/GU	43-14381
							SAL-CN-12S-RK4.41-5/GU	43-14382
							SAL-CN-12S-RK4.41-10/GU	43-14383

Male connector axial

PVC violet

	Number of poles	Coding	Rated voltage [V]	Current rating [A]	Cable length = L [m]	Wire cross section [AWG]	Description	Part No.
	4	A	60	4	2	2 x 2 x 24	SAL-CN-12S-RS4.41-2/GU	43-14384
							SAL-CN-12S-RS4.41-3/GU	43-14385
							SAL-CN-12S-RS4.41-5/GU	43-14386
							SAL-CN-12S-RS4.41-10/GU	43-14387

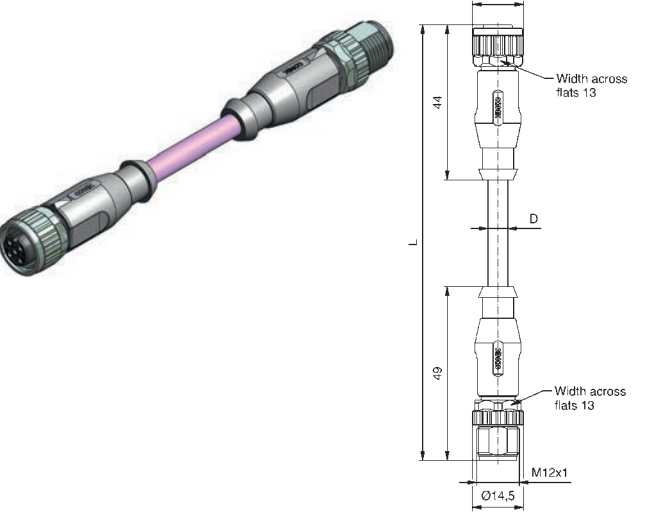
M12x1 CAN-BUS OVERMOULDED

Connecting cable

Female connector axial

Male connector axial

PVC, UL, violet

	Number of poles	Coding	Rated voltage [V]	Current rating [A]	Cable length = L [m]	Wire cross section [AWG]	Description	Part No.
	4	A	60	4	0,3	2 x 2 x 24	SAL-CN-12S-RK4.41-RS4.41-0,3/GU	43-14388
							SAL-CN-12S-RK4.41-RS4.41-0,6/GU	43-14389
							SAL-CN-12S-RK4.41-RS4.41-1,5/GU	43-14390
							SAL-CN-12S-RK4.41-RS4.41-3/GU	43-14391

M12x1 CAN-BUS OVERMOULDED SOCKETS

Front panel mounting, Wire termination

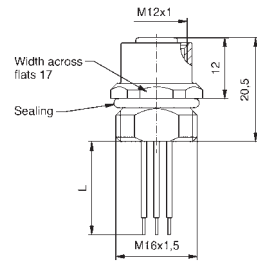
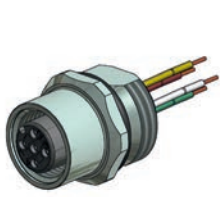
Female connector, M16x1.5 thread

Contact assignment

Number of poles	Coding	Rated voltage [V]	Current rating [A]	Wire material	Wire length = L [mm]	Wire cross section [AWG]
4	A	250	4	PVC	0,5	24

Description

Part No.

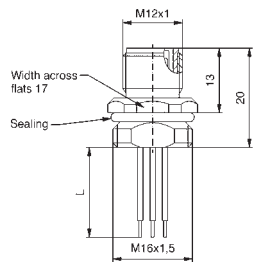
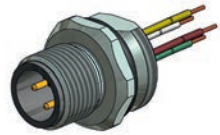


- Pin 1 ■
- Pin 2 ■
- Pin 3 ■
- Pin 4 ■

SAL-CN-12-FK4.41-0,5

43-01703

Male connector, M16x1.5 thread



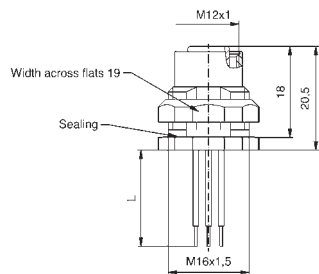
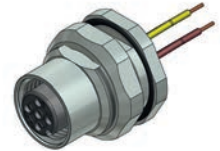
- Pin 1 ■
- Pin 2 ■
- Pin 3 ■
- Pin 4 ■

SAL-CN-12-FS4.41-0,5

43-01704

Back panel mounting, Wire termination

Female connector, M16x1.5 thread

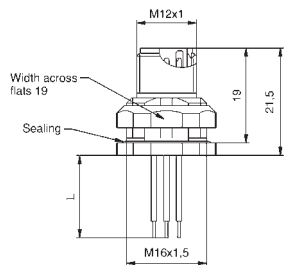
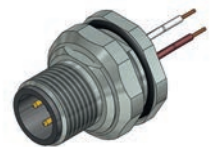


- Pin 1 ■
- Pin 2 ■
- Pin 3 ■
- Pin 4 ■

SAL-CN-12-FK4.41-0,5

43-02347

Male connector, M16x1.5 thread

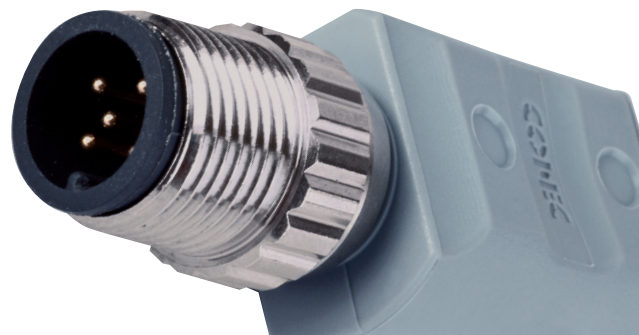


- Pin 1 ■
- Pin 2 ■
- Pin 3 ■
- Pin 4 ■

SAL-CN-12-FSH4.41-0,5

43-02348

SECTION 10
JUNCTION SYSTEMS





SAL M8x1 / M12x1 Y-SPLITTER

Nomenclature

S A L - 1 2 - Y S 4 - 8 - 2 R K 3 - 03 / 03 / 03 K1

SAL
Sensor Actor Line

CONNECTION

Installation size

8 = M8x1
12 = M12x1

Coding

= A-coding (M12x1)
Standard (M8x1)

Design

Y = Y-Splitter
YR = Y-Splitter with cable

Gender

S = Male connector
K = Female connector

Number of poles

3 = 3-pos. 5 = 5-pos.
4 = 4-pos. 8 = 8-pos.

ALLOCATION

Installation size

8 = M8x1
12 = M12x1

Coding

= A-coding

Quantity

2 = 2 I/O-ports

Design

R = Circular connector
Y = Y-Splitter

Gender

K = Female connector
S = Male connector

Configuration

= axial
W = angled

Number of poles

3 = 3-pos. 5 = 5-pos.
4 = 4-pos. 8 = 8-pos.

Cable length

XX/XX/XX= Length [m]

Cable quality

K1 = TPU, black, high flexible, halogenfree, UL

SAL M8x1 / M12x1 Y-SPLITTER

Product specification

Basic material	
Contact	CuZn
Contact plating	Nickel plated, gold plated
Contact carrier	TPU GF, UL 94 / PA, UL
Overmould	TPU, UL 94, grey
Sealing	FPM
Coupling nut/-screw	GD-Zn, Ni

Technical Data

Information on the following pages are basing on below mentioned IEC-standards.

	M8	M12
Rated voltage	IEC 61076-2-104	IEC 61076-2-101
Current rating	IEC 61076-2-104	IEC 61076-2-101
Insulation resistance	IEC 60512	IEC 60512
Degree of pollution	IEC 60664-1	IEC 60664-1
Degree of protection	IEC 60529	IEC 60529
Mating cycles	IEC 60512-9a	IEC 60512-9a

Recommended torque M8: 0.4 Nm at SW 9

Recommended torque M12: 0.6 Nm at SW 13

Technical subject to change without notice.

SAL M8x1 / M12x1 DUO-SPLITTER

Nomenclature

S A L - 1 2 - D S 4 - 8 - 2 R K 3 - 03 / 03 / K1

SAL
Sensor Actor Line

CONNECTION

Installation size

8 = M8x1
12 = M12x1

Coding

= A-coding (M12x1), Standard (M8x1)

Design

D = DUO-Splitter

Gender

S = Male connector
K = Female connector

Number of poles

3 = 3-pos.
4 = 4-pos.
5 = 5-pos.

ALLOCATION

Installation size

8 = M8x1
12 = M12x1

Coding

= A-coding

Quantity

2 = 2 I/O-ports

Design

R = Circular connector with cable
D = DUO-Splitter

Gender

K = Female connector
S = Male connector

Building

= Axial
W = Angled

Number of poles

3 = 3-pos.
4 = 4-pos.
5 = 5-pos.

Cable length

XX/XX = Length [m]

Cable quality

K1 = TPU, black, high flexible, halogenfree, UL

SAL M8x1 / M12x1 DUO-SPLITTER

Product specification

Basic material	
Contact	CuZn
Contact plating	Nickel plated, gold plated
Contact carrier	TPU GF, UL 94 / PA, UL
Overmould	TPU, UL 94, grey
Sealing	FPM
Coupling nut/-screw	Cu-Zn, nickel plated

Technical Data

Information on the following pages are basing on below mentioned IEC-standards.

	M8	M12
Rated voltage	IEC 61076-2-104	IEC 61076-2-101
Current rating	IEC 61076-2-104	IEC 61076-2-101
Insulation resistance	IEC 60512	IEC 60512
Degree of pollution	IEC 60664-1	IEC 60664-1
Degree of protection	IEC 60529	IEC 60529
Mating cycles	IEC 60512-9a	IEC 60512-9a

Recommended torque M8: 0.4 Nm at SW 9

Recommended torque M12: 0.6 Nm at SW 13

Technical subject to change without notice.

SAL M8x1 / M12x1 / 7/8" T-SPLITTER / ADAPTER

Nomenclature

S A L - 1 2 - T S E 4 - T K E 4 - - R K E 4 - 0,3 / A1

SAL
Sensor Actor Line

CONNECTION

Installation size

12 = M12x1

7/8 = 7/8"

Coding

= A-coding

Design

T = T-Junction

Gender

S = Male connector

K = Female connector

Design

E = with stainless steel coupling nut/screw

Number of poles

2PE = 2-pos. + PE

5 = 5-pos.

4 = 4-pos.

8 = 8-pos.

4PE = 4-pos. + PE

ALLOCATION

Design

T = Circular connector

Configuration

K = Female connector

S = Male connector

Design

E = with stainless steel coupling nut/screw

Number of poles

2PE = 2-pos. + PE

5 = 5-pos.

4 = 4-pos.

8 = 8-pos.

4PE = 4-pos. + PE

Installation size

8 = M8x1

= M12x1

Design

R = Circular connector

T = T-Junction

Gender

K = Female connector

S = Male connector

Design

E = with stainless steel coupling nut/screw

Number of poles

2PE = 2-pos. + PE

5 = 5-pos.

4 = 4-pos.

8 = 8-pos.

4PE = 4-pos. + PE

Cable length

XX = Length [m]

Cable quality

A1 = PVC, grey

K1 = TPU, black, high flexible, halogenfree, UL

SAL M8x1 / M12x1 / 7/8" T-SPLITTER / ADAPTER

Product specification

Basic material	
Contact	CuZn
Contact plating	Nickel plated, gold plated
Contact carrier	TPU GF, UL / PA, UL
Overmould	TPU, UL 94, grey
Sealing	FPM (M8x1, M12x1)
Coupling nut/-screw	GD-Zn / Stainless steel

Technical Data

Information on the following pages are basing on below mentioned IEC-standards.

	M8	M12	7/8"
Rated voltage	IEC 61076-2-104	IEC 61076-2-101	IEC 60664-1
Overvoltage category			IEC 60664-1 2
Current rating	IEC 61076-2-104	IEC 61076-2-101	IEC 60512-3
Insulation resistance	IEC 60512	IEC 60512	IEC 60512
Degree of pollution	IEC 60664-1	IEC 60664-1	IEC 60664-1
Degree of protection	IEC 60529	IEC 60529	IEC 60529
Mating cycles	IEC 60512-9a	IEC 60512-9a	IEC 60512-9a

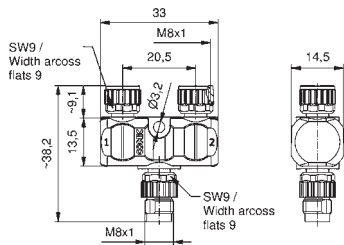
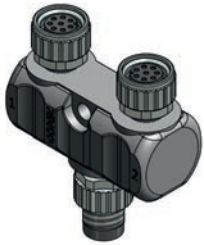
Recommended torque M8: 0.4 Nm at SW 9

Recommended torque M12: 0.6 Nm at SW 13

Technical subject to change without notice.

M8x1 JUNCTION BOXES
Y-splitter

Male connector M8x1
2x Female connector M8x1



Contact assignment	Number of poles Side A	Number of poles Side B	Number of poles Side C	Rated voltage [V]	Current rating [A]	Description	Part No.
	3	3	3	50 V AC / 60 V DC	3	SAL-8-YS3-2YK3	42-05102
	4	3	3	50 V AC / 60 V DC	3	SAL-8-YS4-2YK3	42-05103
	4	4	4	50 V AC / 60 V DC	3	SAL-8-YS4-2YK4	42-05104
	8	8	8	30	1,5	SAL-8-YS8-2YK8	42-05105

M12x1 JUNCTION BOXES Y-splitter

Male connector M12x1 axial
2x Female connector M12x1 axial

TPU, UL, halogenfree, black, Li9Y11Y

Contact assignment

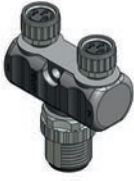
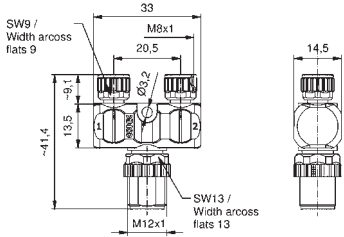
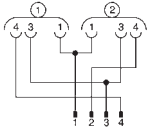
Number of poles side A	Number of poles side B	Number of poles side C	Coding	Rated voltage [V]	Current rating [A]	Wire cross section [mm ²]	Cable length = L [m]	Description	Part No.
5	5	5	A	60	4	0,34	0,6	SAL-12-YRS5-RK5-RK5-0,6/0,6/0,6/K1	43-05182
5	5	5	A	60	4	0,34	1,5	SAL-12-YRS5-RK5-RK5-1,5/1,5/1,5/K1	43-05183

TPU, UL, halogenfree, black, Li9Y11Y


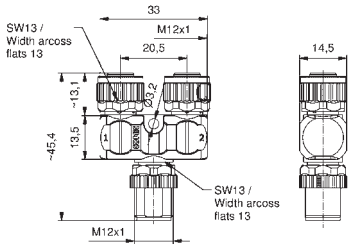
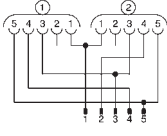
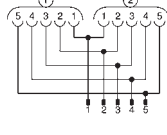
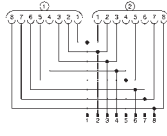
	5	5	5	A	60	4	0,34	0,3	SAL-12-YRS5-2YK5.2-0,3/K1	43-05189
	5	5	5	A	60	4	0,34	0,6	SAL-12-YRS5-2YK5.2-0,6/K1	43-05190
	5	5	5	A	60	4	0,34	0,3	SAL-12-YRS5-2YK5-0,3/K1	43-05191
	5	5	5	A	60	4	0,34	0,6	SAL-12-YRS5-2YK5-0,6/K1	43-05192
	8	8	8	A	30	2	0,25	0,3	SAL-12-YRS8-2YK8-0,3/K1	43-05193
	8	8	8	A	30	2	0,25	0,6	SAL-12-YRS8-2YK8-0,6/K1	43-05194

M12x1 JUNCTION BOXES
Y-splitter

Male connector M12x1
2 x Female connector M8x1

		Contact assignment	Number of poles Side A	Number of poles Side B	Number of poles Side C	Rated voltage [V]	Current rating [A]	Description	Part No.
			4	3	3	50 V AC / 60 V DC	3	SAL-12-YS4-8-2YK3	43-05185

Male connector M12x1
2 x Female connector M12x1

			5	5	5	60	4	SAL-12-YS5-2YK5.2	43-05186
			5	5	5	60	4	SAL-12-YS5-2YK5	43-05187
			8	8	8	30	2	SAL-12-YS8-2YK8	43-05184

M8x1 JUNCTION BOXES DUO-splitter

Male connector M8x1 axial
2 x Female connector M8x1 axial

PVC, grey, LiYY

Contact assignment

Number of poles side A	Number of poles side B	Number of poles side C	Rated voltage [V]	Current rating [A]	Wire cross section [mm ²]	Cable length = L [m]
------------------------	------------------------	------------------------	-------------------	--------------------	---------------------------------------	----------------------

Description Part No.

	3	3	3	50 V AC / 60 V DC	3	0,25	0,3	SAL-8-DS3-2RK3-0,3/0,3/A1	42-11780
							0,6	SAL-8-DS3-2RK3-0,6/0,6/A1	42-11781
							1,5	SAL-8-DS3-2RK3-1,5/1,5/A1	42-11782
							3	SAL-8-DS3-2RK3-3/3/A1	42-11783
	4	4	4	50 V AC / 60 V DC	3	0,25	0,3	SAL-8-DS4-2RK4-0,3/0,3/A1	42-11788
							0,6	SAL-8-DS4-2RK4-0,6/0,6/A1	42-11789
							1,5	SAL-8-DS4-2RK4-1,5/1,5/A1	42-11790
							3	SAL-8-DS4-2RK4-3/3/A1	42-11791

TPU, UL, halogenfree, black, Li9Y11Y

	3	3	3	50 V AC / 60 V DC	3	0,25	0,3	SAL-8-DS3-2RK3-0,3/0,3/K1	42-11776
							0,6	SAL-8-DS3-2RK3-0,6/0,6/K1	42-11777
							1,5	SAL-8-DS3-2RK3-1,5/1,5/K1	42-11778
							3	SAL-8-DS3-2RK3-3/3/K1	42-11779
	4	4	4	50 V AC / 60 V DC	3	0,25	0,3	SAL-8-DS4-2RK4-0,3/0,3/K1	42-11784
							0,6	SAL-8-DS4-2RK4-0,6/0,6/K1	42-11785
							1,5	SAL-8-DS4-2RK4-1,5/1,5/K1	42-11786
							3	SAL-8-DS4-2RK4-3/3/K1	42-11787

M8x1 JUNCTION BOXES DUO-splitter

Male connector M8x1 axial
2 x Female connector M8x1 angled

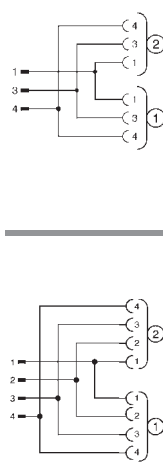
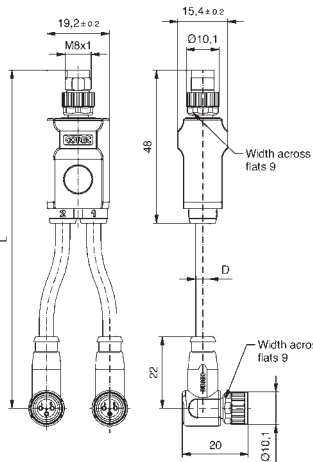
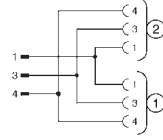
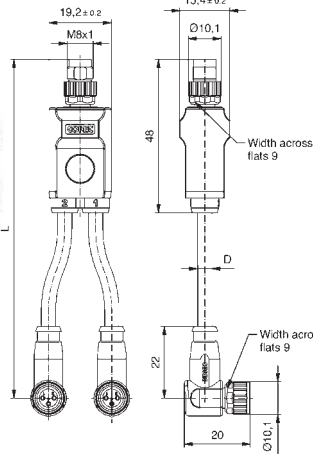
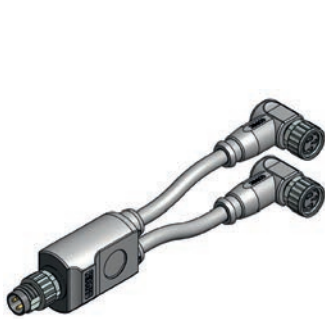
PVC, grey, LiYY

Contact assignment

Number of poles side A	Number of poles side B	Number of poles side C	Rated voltage [V]	Current rating [A]	Wire cross section [mm ²]	Cable length = L [m]	Description	Part No.
3	3	3	50 V AC / 60 V DC	3	0,25		0,3 SAL-8-DS3-2RKW3-0,3/0,3/A1	42-11796
							0,6 SAL-8-DS3-2RKW3-0,6/0,6/A1	42-11797
							1,5 SAL-8-DS3-2RKW3-1,5/1,5/A1	42-11798
							3 SAL-8-DS3-2RKW3-3/3/A1	42-11799
4	4	4	50 V AC / 60 V DC	3	0,25		0,3 SAL-8-DS4-2RKW4-0,3/0,3/A1	42-11804
							0,6 SAL-8-DS4-2RKW4-0,6/0,6/A1	42-11805
							1,5 SAL-8-DS4-2RKW4-1,5/1,5/A1	42-11806
							3 SAL-8-DS4-2RKW4-3/3/A1	42-11807

TPU, UL, halogenfree, black, Li9Y11Y

3	3	3	50 V AC / 60 V DC	3	0,25		0,3 SAL-8-DS3-2RKW3-0,3/0,3/K1	42-11792
							0,6 SAL-8-DS3-2RKW3-0,6/0,6/K1	42-11793
							1,5 SAL-8-DS3-2RKW3-1,5/1,5/K1	42-11794
							3 SAL-8-DS3-2RKW3-3/3/K1	42-11795
4	4	4	50 V AC / 60 V DC	3	0,25		0,3 SAL-8-DS4-2RKW4-0,3/0,3/K1	42-11800
							0,6 SAL-8-DS4-2RKW4-0,6/0,6/K1	42-11801
							1,5 SAL-8-DS4-2RKW4-1,5/1,5/K1	42-11802
							3 SAL-8-DS4-2RKW4-3/3/K1	42-11803



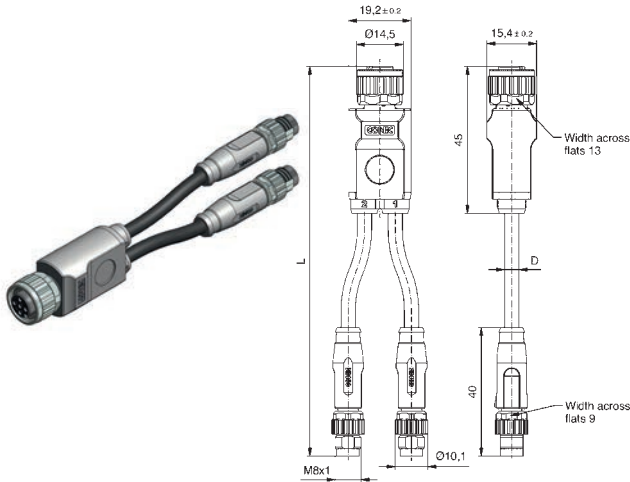
M12x1 JUNCTION BOXES DUO-splitter

Female connector M12x1 axial
2 x Male connector M8x1 axial

TPU, UL, halogenfree, black, Li9Y11Y

Contact assignment

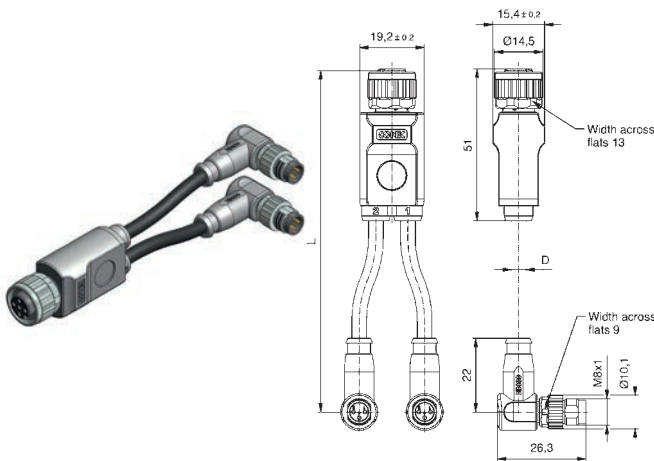
Number of poles side A	Number of poles side B	Number of poles side C	Rated voltage [V]	Current rating [A]	Wire cross section [mm ²]	Cable length = L [m]	Description	Part No.
4	3	3	50 V AC / 60 V DC	3	0,25		0,3 SAL-12-DK4-8-2RS3-0,3/0,3/K1	43-16267
							0,6 SAL-12-DK4-8-2RS3-0,6/0,6/K1	43-16268
							1,5 SAL-12-DK4-8-2RS3-1,5/1,5/K1	43-16269
							3 SAL-12-DK4-8-2RS3-3/3/K1	43-16270



Female connector M12x1 axial
2 x Male connector M8x1 angled

TPU, UL, halogenfree, black, Li9Y11Y

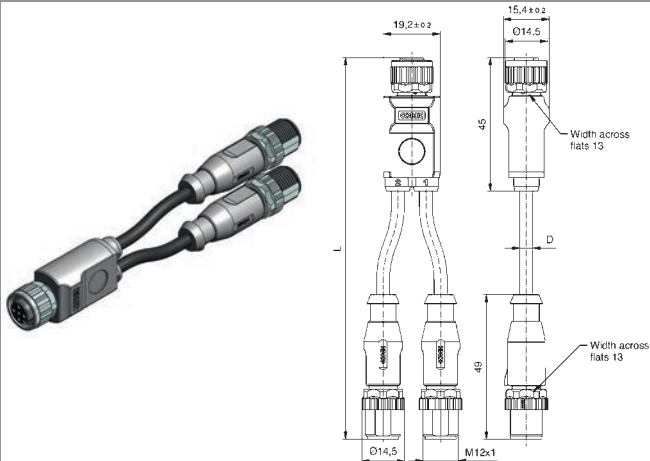
4	3	3	50 V AC / 60 V DC	3	0,25		0,3 SAL-12-DK4-8-2RSW3-0,3/0,3/K1	43-16276
							0,6 SAL-12-DK4-8-2RSW3-0,6/0,6/K1	43-16277
							1,5 SAL-12-DK4-8-2RSW3-1,5/1,5/K1	43-16278
							3 SAL-12-DK4-8-2RSW3-3/3/K1	43-16279



Female connector M12x1 axial
2 x Male connector M12x1 axial

TPU, UL, halogenfree, black, Li9Y11Y

5	5	5	60	4	0,34		0,3 SAL-12-DK5-2RS5.2-0,3/0,3/K1	43-16287
							0,6 SAL-12-DK5-2RS5.2-0,6/0,6/K1	43-16288
							1,5 SAL-12-DK5-2RS5.2-1,5/1,5/K1	43-16289
							3 SAL-12-DK5-2RS5.2-3/3/K1	43-16290



M12x1 JUNCTION BOXES DUO-splitter

Male connector M12x1 axial
2 x Female connector M8x1 axial

TPU, UL, halogenfree, black, Li9Y11Y

Contact assignment

	Number of poles side A	Number of poles side B	Number of poles side C	Rated voltage [V]	Current rating [A]	Wire cross section [mm ²]	Cable length = L [m]	Description	Part No.
	4	3	3	50 V AC / 60 V DC	3	0,25	0,3	SAL-12-DS4-8-2RK3-0,3/0,3/K1	43-12463
							0,6	SAL-12-DS4-8-2RK3-0,6/0,6/K1	43-12464
							1,5	SAL-12-DS4-8-2RK3-1,5/1,5/K1	43-12465
							3	SAL-12-DS4-8-2RK3-3/3/K1	43-12466

Male connector M12x1 axial
2 x Female connector M8x1 angled

TPU, UL, halogenfree, black, Li9Y11Y

	Number of poles side A	Number of poles side B	Number of poles side C	Rated voltage [V]	Current rating [A]	Wire cross section [mm ²]	Cable length = L [m]	Description	Part No.
	4	3	3	50 V AC / 60 V DC	3	0,25	0,3	SAL-12-DS4-8-2RKW3-0,3/0,3/K1	43-12467
							0,6	SAL-12-DS4-8-2RKW3-0,6/0,6/K1	43-12468
							1,5	SAL-12-DS4-8-2RKW3-1,5/1,5/K1	43-12469
							3	SAL-12-DS4-8-2RKW3-3/3/K1	43-12470

Male connector M12x1
2 x Female connector M8x1

	Number of poles side A	Number of poles side B	Number of poles side C	Rated voltage [V]	Current rating [A]	Wire cross section [mm ²]	Cable length = L [m]	Description	Part No.
	4	3	3	50 V AC / 60 V DC	3			SAL-12-DS4-8-2DK3	43-05117

M12x1 JUNCTION BOXES DUO-splitter

Male connector M12x1 axial
2 x Female connector M12x1 axial

TPU, UL, halogenfree, black, Li9Y11Y

Contact assignment

Number of poles side A	Number of poles side B	Number of poles side C	Rated voltage [V]	Current rating [A]	Wire cross section [mm ²]	Cable length = L [m]
------------------------	------------------------	------------------------	-------------------	--------------------	---------------------------------------	----------------------

Description		Part No.
0,3	SAL-12-DS5-2RK5.2-0,3/0,3/K1	43-12603
0,6	SAL-12-DS5-2RK5.2-0,6/0,6/K1	43-12604
1,5	SAL-12-DS5-2RK5.2-1,5/1,5/K1	43-12605
3	SAL-12-DS5-2RK5.2-3/3/K1	43-12606

Male connector M12x1 axial
2 x Female connector M12x1 angled

TPU, UL, halogenfree, black, Li9Y11Y

Description		Part No.
0,3	SAL-12-DS5-2RKW5.2-0,3/0,3/K1	43-12607
0,6	SAL-12-DS5-2RKW5.2-0,6/0,6/K1	43-12608
1,5	SAL-12-DS5-2RKW5.2-1,5/1,5/K1	43-12609
3	SAL-12-DS5-2RKW5.2-3/3/K1	43-12610

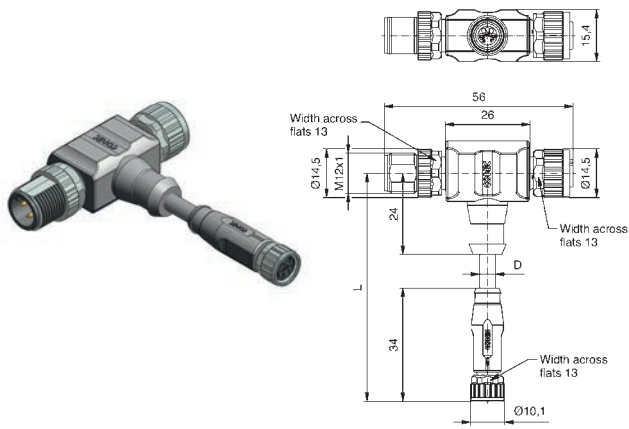
M12x1 JUNCTION BOXES
T-splitter

Male connector/Female connector M12x1
Female connector M8x1 axial

PVC, grey, LiYY

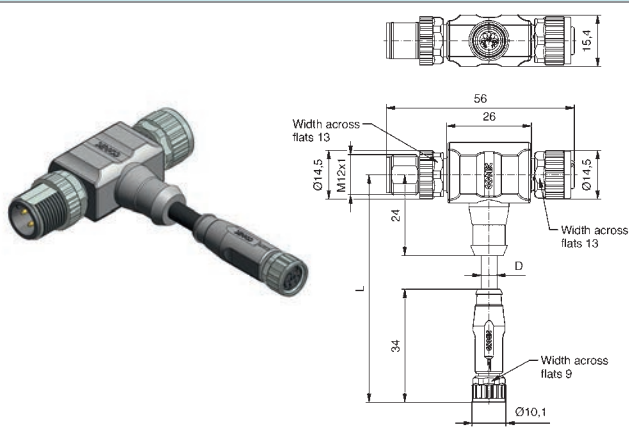
Contact assignment

Number of poles side A	Number of poles side B	Number of poles side C	Rated voltage [V]	Current rating [A]	Wire cross section [mm ²]	Cable length = L [m]	Description	Part No.
4	4	4	50 V AC / 60 V DC	3	0,25		0,3 SAL-12-TS4-TK4-8-RK4-0,3/A1	43-05122
							0,6 SAL-12-TS4-TK4-8-RK4-0,6/A1	43-05123



TPU, UL, halogenfree, black, Li9Y11Y

4	4	4	50 V AC / 60 V DC	3	0,25		0,3 SAL-12-TS4-TK4-8-RK4-0,3/K1	43-05124
							0,6 SAL-12-TS4-TK4-8-RK4-0,6/K1	43-05125



M12x1 JUNCTION BOXES T-splitter

Male connector/Female connector M12x1
Female connector M12x1 axial

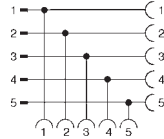
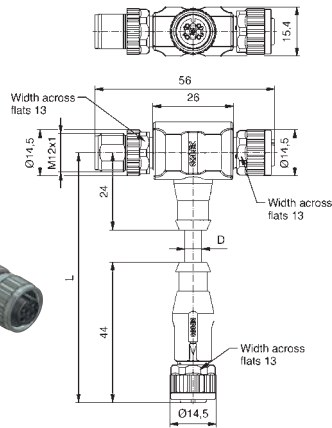
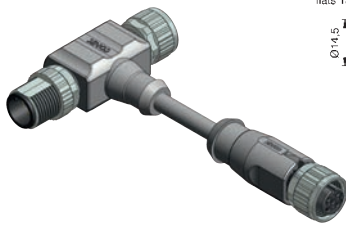
PVC, grey, LiYY

Contact assignment

Number of poles side A
Number of poles side B
Number of poles side C
Rated voltage [V]
Current rating [A]
Wire cross section [mm²]
Cable length = L [m]

Description

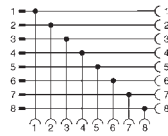
Part No.



5 5 5 60 4 0,34

0,3 SAL-12-TS5.1-TK5.1-RK5.1-0,3/A1 43-05118

0,6 SAL-12-TS5.1-TK5.1-RK5.1-0,6/A1 43-05119

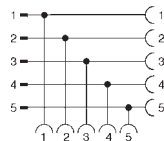
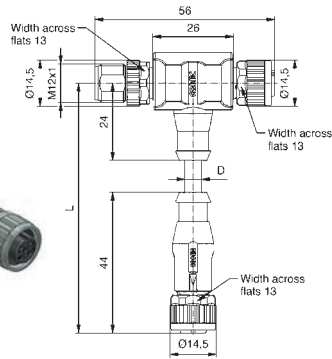


8 8 8 30 2 0,25

0,3 SAL-12-TS8-TK8-RK8-0,3/A1 43-05126

0,6 SAL-12-TS8-TK8-RK8-0,6/A1 43-05127

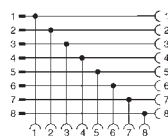
TPU, UL, halogenfree, black, Li9Y11Y



5 5 5 60 4 0,34

0,3 SAL-12-TS5.1-TK5.1-RK5.1-0,3/K1 43-05120

0,6 SAL-12-TS5.1-TK5.1-RK5.1-0,6/K1 43-05121



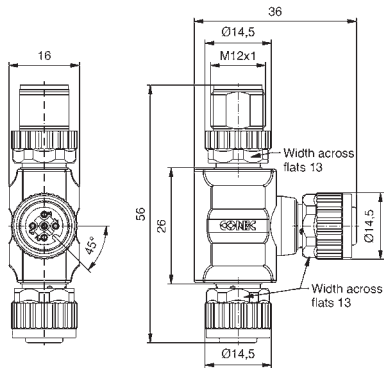
8 8 8 30 2 0,25

0,3 SAL-12-TS8-TK8-RK8-0,3/K1 43-05128

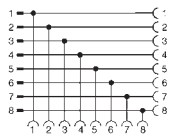
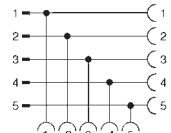
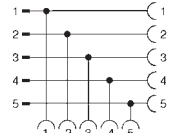
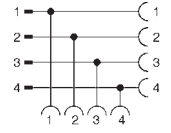
0,6 SAL-12-TS8-TK8-RK8-0,6/K1 43-05129

M12x1 JUNCTION BOXES
T-splitter

Male connector M12x1
2 x Female connector M12x1

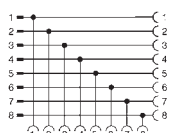
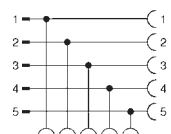
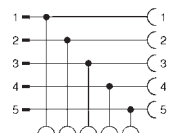
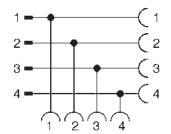
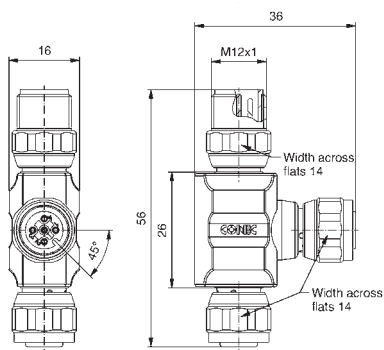


Contact assignment



Number of poles Side A	Number of poles Side B	Number of poles Side C	Rated voltage [V]	Current rating [A]	Description	Part No.
4	4	4	250	4	SAL-12-TS4-TK4-TK4	43-05115
5	5	5	60	4	SAL-12-TS5-TK5-TK5	43-05116
5	5	5	60	4	SAL-12-TS5.1-TK5.1-TK5.1	43-05114
8	8	8	30	2	SAL-12-TS8-TK8-TK8	43-05142

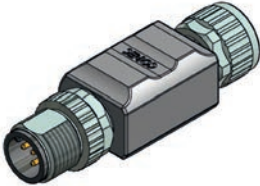
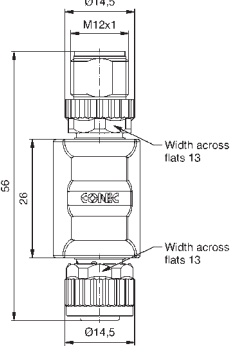
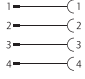
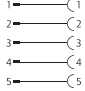
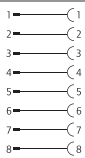
Male connector M12x1 – 2 x Female connector M12x1
Coupling nut and screw stainless steel




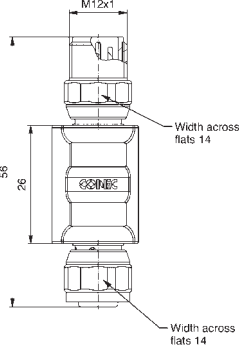
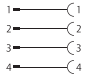
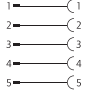
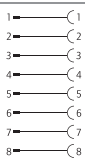
4	4	4	250	4	SAL-12-TSE4-TKE4-TKE4	43-05155
5	5	5	60	4	SAL-12-TSE5-TKE5-TKE5	43-05156
5	5	5	60	4	SAL-12-TSE5.1-TKE5.1-TKE5.1	43-05154
8	8	8	30	2	SAL-12-TSE8-TKE8-TKE8	43-05153

**M12x1 JUNCTION BOXES
Adapter**

Male connector M12x1
Female connector M12x1

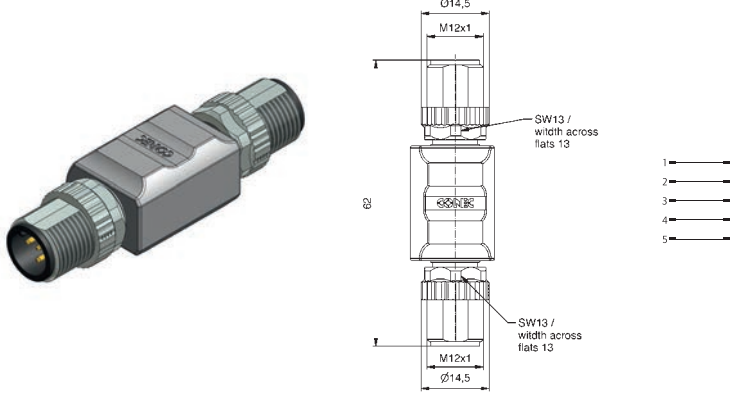
		Contact assignment	Number of poles Side A	Number of poles Side B	Rated voltage [V]	Current rating [A]	Description	Part No.
 			4	4	250	4	SAL-12-TS4-TK4	43-05130
			5	5	60	4	SAL-12-TS5-TK5	43-05131
			8	8	30	2	SAL-12-TS8-TK8	43-05113

Male connector M12x1 – Female connector M12x1
Coupling nut and screw stainless steel

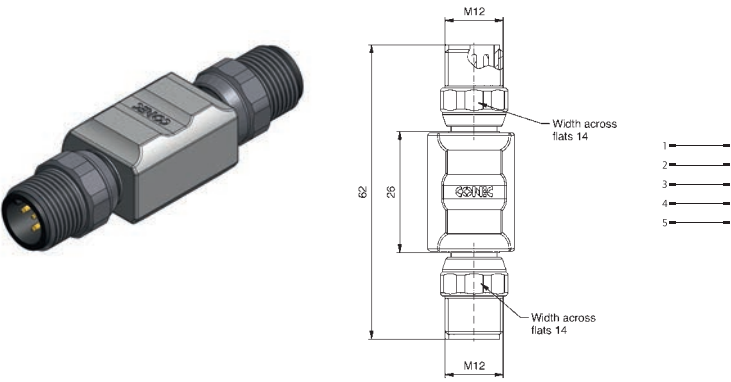
 			4	4	250	4	SAL-12-TSE4-TKE4	43-05150
			5	5	60	4	SAL-12-TSE5-TKE5	43-05151
			8	8	30	2	SAL-12-TSE8-TKE8	43-05149

M12x1 JUNCTION BOXES
Adapter

Male connector M12x1
Male connector M12x1

Contact assignment	Number of poles Side A	Number of poles Side B	Rated voltage [V]	Current rating [A]	Description	Part No.
	5	5	60	4	SAL-12-TS5.1-TS5.1	43-05133

Male connector M12x1 – Male connector M12x1
Coupling nut and screw stainless steel

	5	5	60	4	SAL-12-TSE5.1-TSE5.1	43-05152
---	---	---	----	---	----------------------	----------

7/8" JUNCTION BOXES
T-splitter

Male connector 7/8"
2 x Female connector 7/8"

Contact assignment	Number of poles Side A	Number of poles Side B	Number of poles Side C	Rated voltage [V]	Current rating [A]	Description	Part No.
	2+PE	2+PE	2+PE	250	10	SAL-7/8-TS2PE-TK2PE-TK2PE	41-30001
	4+PE	4+PE	4+PE	250	10	SAL-7/8-TS4PE-TK4PE-TK4PE	41-30002