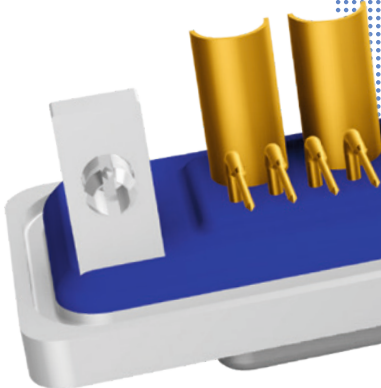
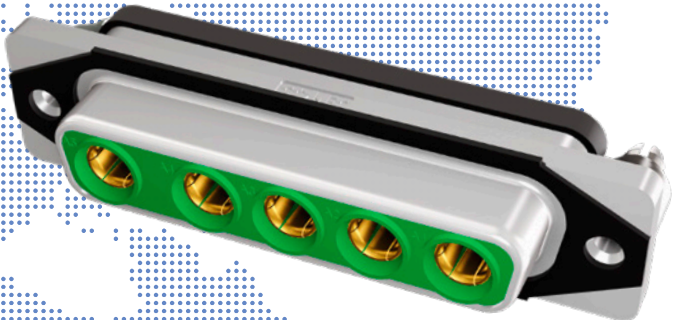
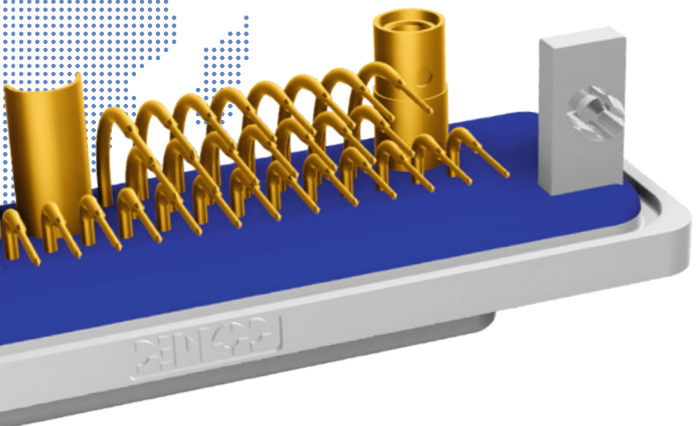


SECTION 7

IP67 COMBINATION D-SUB CONNECTORS





IP67 COMBINATION D-SUB CONNECTORS

Part Number Creator

6 0 0 7 W 2 S A M 6 2 B 3 O X

Product Line

- 6 = Shell: Brass tin plated with die-cast frame
- 4* = Shell: Brass tin plated with or without plastic frame
- 8* = Shell: Stainless steel with or without die-cast frame
- 9* = Shell: Stainless steel with plastic frame
- * on request

Variations

- Shellsize 1 = 5W1, 2W2C
- Shellsize 2 = 3W3, 7W2, 11W1, 3W3C
- Shellsize 3 = 5W5, 9W4, 13W3, 17W2, 21W1
- Shellsize 4 = 8W8, 13W6, 17W5, 21WA4, 25W3, 27W2
- Shellsize 5 = 24W7, 36W4, 43W2, 47W1
- Empty positions ADD „0“ for example 007W2

Contact type

- P = Plug connector
- S = Socket connector

Plating code/Quality class for signal contacts

- A = Quality class 3 = 50 mating cycles
- B = Quality class 2 = 200 mating cycles
- C = Quality class 1 = 500 mating cycles
- X = without signal contact

Termination applies to signal contacts only

- M = Solder cup
- R = Solder pin – Straight
- T = Solder pin – Angled, .189" / 4.80 mm
- U = Solder pin – Angled, .276" / 7.00 mm
- Z = Solder pin – Angled, .465" / 11.80 mm X = 3W3, 5W5, 8W8, 2W2C, 3W3C

Termination for high power or coaxial contacts

Quality class 3 / Quality class 1

- 61 / 41 = Solder cup 10 A
- 62 / 42 = Solder cup 20 A
- 68 / 48 = Solder pin – Straight 20 A, D= .077" 1.95 mm
- 69 / 49 = Solder pin – Straight 20 A, D= .102" 2.60 mm
- 70 / 50 = Solder pin – Straight 20 A, D= .112" 2.85 mm
- 71 / 51 = Solder pin – Straight 30 A, D= .125" 3.18 mm
- 72 / 52 = Solder pin – Straight 40 A, D= .148" 3.75 mm
- 59 / 55 = Solder pin – Angled 15 A
- 73 / 56 = Solder pin – Angled 20 A
- 74 / 57 = Solder pin – Angled 30 A
- 75 / 58 = Solder pin – Angled 40 A
- 77 / 60 = Solder pin – Angled 40 A

Quality class 3 / Quality class 1

- 85 / 65 = Solder pin – Angled 30 A
- 81 / 66 = Solder pin – Angled 20 A
- 82 / 67 = Solder pin – Angled 30 A
- F9 / H4 = Cable connection straight 75 Ω
- G1 / H5 = Cable connection straight 75 Ω
- G2 / H6 = Cable connection straight 50 Ω
- G3 / H7 = Cable connection straight 50 Ω
- G4 / H8 = Cable connection straight 50 Ω
- G5 / H9 = Cable connection straight 50 Ω
- G6 / K1 = Cable connection straight 50 Ω
- G7 / 76 = 3 solder pins straight 50 Ω
- G8 / 86 = 3 solder pins straight 75 Ω

Quality class 3 / Quality class 1

- G9 / 78 = 3 solder pins angled 50 Ω
- H1 / 79 = 3 solder pins angled 50 Ω
- H2 / 88 = 3 solder pins angled 75 Ω
- H3 / 89 = 3 solder pins angled 75 Ω
- R1 = Screw Crimp 10 A
- R2 = Screw Crimp 20A
- R3 = Screw Crimp 30A
- R4 = Screw Crimp 40A

Mounting style

- A1 = Riveted through hole for hood assembly
- B3 = 4-40 UNC threaded insert
- B5 = 4-40 UNC front spacer
- E2 = 4-40 UNC threaded rear spacer with PCB clip, PCB .063" 1.60 mm
- S2 = Metal bracket, 4-40 UNC threaded insert
- S4 = Metal bracket, 4-40 UNC threaded insert and PCB clip
- R2 = Metal bracket, 4-40 UNC threaded insert
- R4 = Metal bracket, 4-40 UNC threaded insert PCB clip

- OX = Standard

IP67 COMBINATION D-SUB CONNECTORS

Product specification Standard

| Basic material | Connectors with | | | |
|---|--|---|------------------------------------|------------------------------|
| | Signal contacts | Coaxial contacts | High power contacts | |
| Contact | Copper alloy | | | |
| Contact plating | Flash gold over nickel | | | |
| Insulator (Connector) | PBT GF UL 94 V-0 (Connectors) | | | |
| Insulator (Contacts) | PTFE/PBTP/PI (Contacts) | | | |
| Shell | Brass tin plated (Stainless steel on request) | | | |
| Retaining clip | Copper alloy | | | |
| Technical Data | | | | |
| Test voltage | 1000 V, 50 Hz, 1 min. | 750 V, 50 Hz, 1 min. | 1000 V, 50 Hz, 1 min. | |
| Working voltage | 250 V AC/DC depending on isolation coordination refer to DIN VDE 0110 / IEC 664-1 | | | |
| Current rating | 7.5 A (UL) / 5 A (CSA, VDE) | 2 A | 10 - 40 A (UL) | |
| Resistance between mated contacts | max. 10 mΩ | max. 2.7 mΩ | max. 1 mΩ | |
| Insulation resistance | ≥ 5 GΩ | ≥ 1 GΩ | ≥ 5 GΩ | |
| Characteristic impedance | | 50/75 Ω | | |
| Frequency range | | 0-2 GHz | | |
| VSWR-value according MIL-C-39012 | | ≤ 1.2 @ 1.2 GHz ≤ 1.3 @ 1.5 GHz ≤ 1.5 @ 2.0 GHz | | |
| Operating temperature | - 25 °C to + 105 °C | | | |
| Mounting style Front or rear panel mounting Panel thickness | min. 1 mm to 1.6 mm | | | |
| Insertion force per contact | 3.4 N | 7 N | 7 N | |
| Extraction force per contact | 0.2 N | 7 N | approx. 5 N | |
| Quality class | A = Quality class 3 = 50 mating cycles B = Quality class 2 = 200 mating cycles C = Quality class 1 = 500 mating cycles | | | |
| Recommended wave-solder parameters | Preheating | | Solder terminal dipping parameters | |
| | Temperature | duration | max. Solder bath temperature | max. terminal immersion time |
| IP67 Combination D-SUB Standard | 120 °C | 120 s | 240 °C | 5 s |

Technical specifications are subject to change without notice

IP67 COMBINATION D-SUB CONNECTORS

Product specification Solid Body

| Basic material | Solid Body Connectors with | | | |
|---|--|-----------------------------|---|------------------------------|
| | D-SUB signal contacts | HD-SUB signal contacts | Coaxial contacts | High power contacts |
| Contact | Copper alloy | | | |
| Contact plating | Flash gold over nickel | | | |
| Insulator (Connector) | PBT GF UL 94 V-0 | | | |
| Insulator (Contacts) | | | PBT GF UL 94 V-0 | |
| Shell | Zinc die-cast nickel plated | | | |
| Retaining clip | | | Copper alloy | |
| Technical Data | | | | |
| Test voltage | 1000 V, 50 Hz, 1 min. | 1000 V, 50 Hz, 1 min. | 750 V, 50 Hz, 1 min. | 1000 V, 50 Hz, 1 min. |
| Working voltage | 250 V AC/DC | 60 V AC/DC | 250 V AC/DC | 250 V AC/DC |
| | depending on isolation coordination refer to DIN VDE 0110 / IEC 664-1 | | | |
| Current rating | 7.5 A (UL) / 5 A (CSA, VDE) | 3 A (UL, VDE) / 2.5 A (CSA) | 2 A | 10 - 40 A (UL) |
| Resistance between mated contacts | max. 10 mΩ | max. 10 mΩ | max. 2.7 mΩ | max. 1 mΩ |
| Insulation resistance | ≥ 5 GΩ | max. 10 mΩ | ≥ 1 GΩ | ≥ 5 GΩ |
| Characteristic impedance | | | 50/75 Ω | |
| Frequency range | | | 0-2 GHz | |
| VSWR-value according MIL-C-39012 | | | ≤ 1.2 @ 1.2 GHz ≤ 1.3 @ 1.5 GHz ≤ 1.5 @ 2.0 GHz | |
| Operating temperature | - 40 °C to + 105 °C | | | |
| Mounting style Front or rear panel mounting Panel thickness | min. 1 mm to 1.6 mm | | | |
| Insertion force per contact | 3.4 N | 3.4 N | 7 N | 7 N |
| Extraction force per contact | 0.2 N | 0.2 N | 7 N | approx. 5 N |
| Quality class | A = Quality class 3 = 50 mating cycles B = Quality class 2 = 200 mating cycles C = Quality class 1 = 500 mating cycles | | | |
| Recommended wave-solder parameters | Preheating | | Solder terminal dipping parameters | |
| | Temperature | duration | max. Solder bath temperature | max. terminal immersion time |
| IP67 Combination D-SUB Solid Body | 150 °C | 180 s | 265 °C | 8 s |

Technical specifications are subject to change without notice

IP67 COMBINATION D-SUB CONNECTORS

Product specification CONEC SlimCon

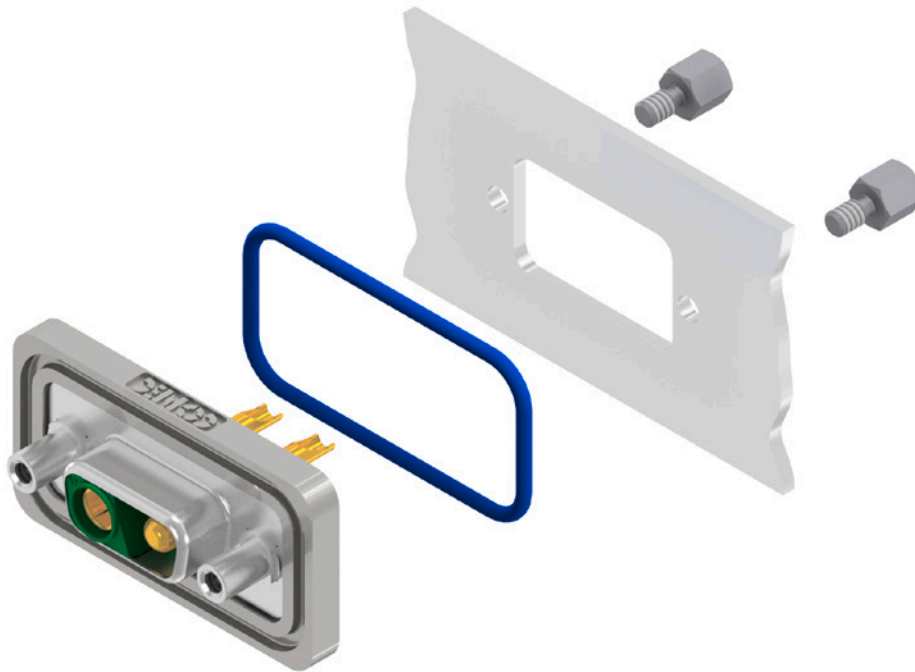
| Basic material | CONEC SlimCon Connectors with | | | |
|---|--|-----------------------------|---|------------------------------|
| | D-SUB signal contacts | HD-SUB signal contacts | Coaxial contacts | High power contacts |
| Contact | Copper alloy | | | |
| Contact plating | Flash gold over nickel | | | |
| Insulator | PBT GF UL 94 V-0 | | | |
| Insulator | | | PTFE/PBTP/PI | |
| Shell | Zinc die-cast nickel plated | | | |
| Retaining clip | | | Copper alloy | |
| Technische Daten | | | | |
| Test voltage | 1000 V, 50 Hz, 1 min. | 1000 V, 50 Hz, 1 min. | 750 V, 50 Hz, 1 min. | 1000 V, 50 Hz, 1 min. |
| Working voltage | 250 V AC/DC | 60 V AC/DC | 250 V AC/DC | 250 V AC/DC |
| | depending on isolation coordination refer to DIN VDE 0110 / IEC 664-1 | | | |
| Current rating | 7.5 A (UL) / 5 A (CSA, VDE) | 3 A (UL, VDE) / 2.5 A (CSA) | 2 A | 10 - 40 A (UL) |
| Resistance between mated contacts | max. 10 mΩ | max. 10 mΩ | max. 2.7 mΩ | max. 1 mΩ |
| Insulation resistance | ≥ 5 GΩ | max. 10 mΩ | ≥ 1 GΩ | ≥ 5 GΩ |
| Characteristic impedance | | | 50/75 Ω | |
| Frequency range | | | 0-2 GHz | |
| VSWR-value according MIL-C-39012 | | | ≤ 1.2 @ 1.2 GHz ≤ 1.3 @ 1.5 GHz ≤ 1.5 @ 2.0 GHz | |
| Operating temperature | - 40 °C bis + 105 °C | | | |
| Mounting style Front or rear panel mounting Panel thickness | min. 0.8 mm to 1.3 mm | | | |
| Insertion force per contact | 3.4 N | 3.4 N | 7 N | 7 N |
| Extraction force per contact | 0.2 N | 0.2 N | 7 N | approx. 5 N |
| Quality class | A = Quality class 3 = 50 mating cycles B = Quality class 2 = 200 mating cycles C = Quality class 1 = 500 mating cycles | | | |
| Recommended wave-solder parameters | Preheating | | Solder terminal dipping parameters | |
| | Temperature | duration | max. Solder bath temperature | max. terminal immersion time |
| IP67 Combination D-SUB CONEC SlimCon | 150 °C | 180 s | 265 °C | 8 s |

Technical specifications are subject to change without notice

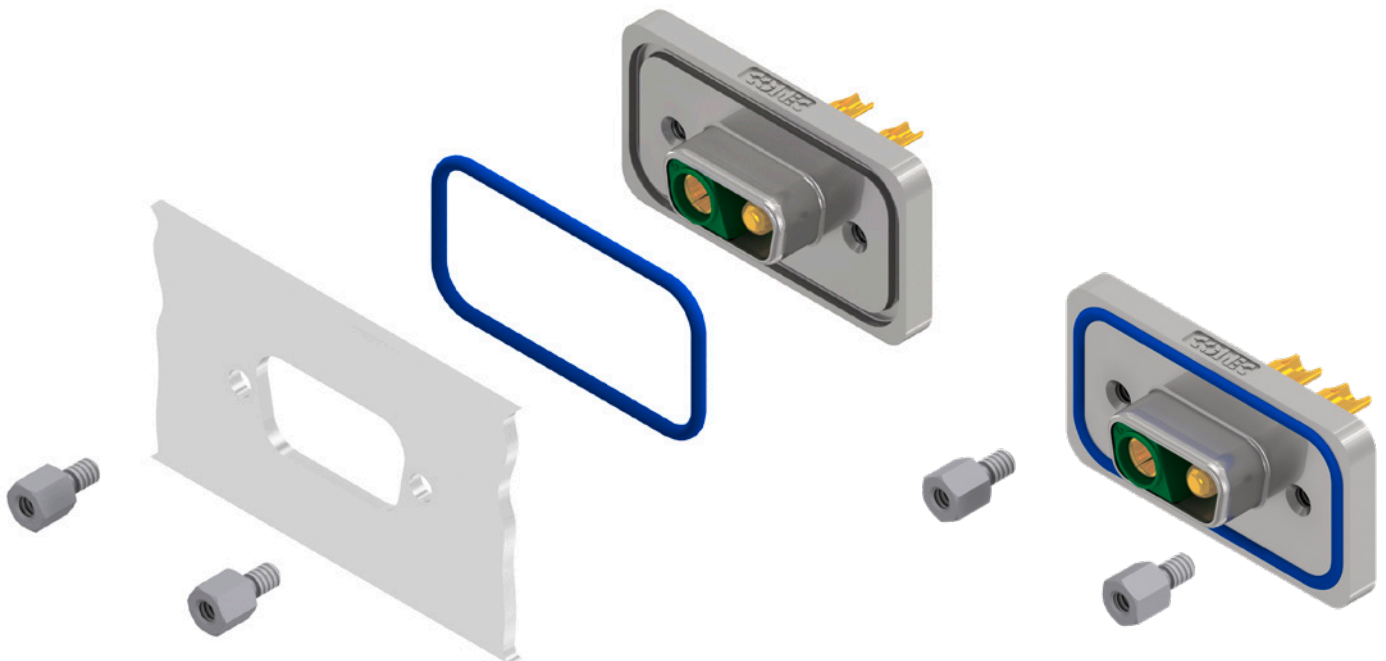
IP67 COMBINATION D-SUB CONNECTORS

Panel mounting

Front panel mounting



Back panel mounting



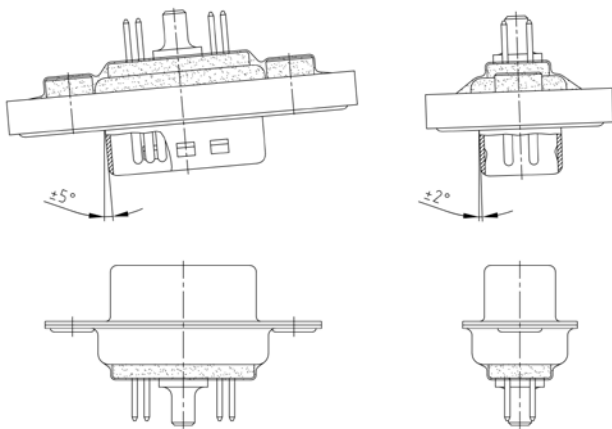
The hex bolts illustrated here (4-40 UNC or M3 threads) are included in the delivery complement of every connector with a sealing frame. The length of this spacer has been selected to accommodate a panel thickness of .063"/1.6 mm (standard & solid body)/.051"/1.3 mm (CONEC SlimCon) such that it does not extend beyond the plug-in height. Material: stainless steel.

Technical specifications are subject to change without notice.

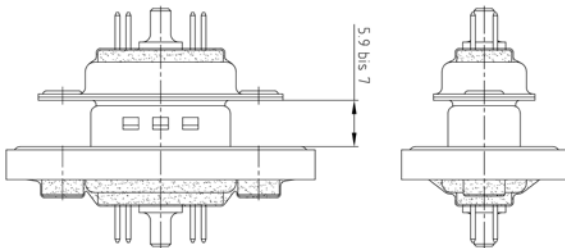
IP67 COMBINATION D-SUB CONNECTORS

Mating conditions

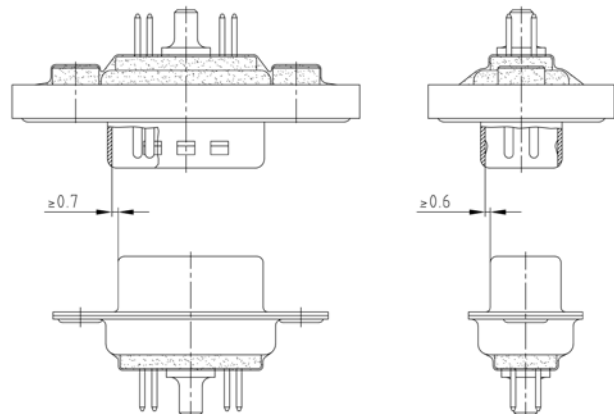
Max. tilt angle for connector mating



Range for safe contact

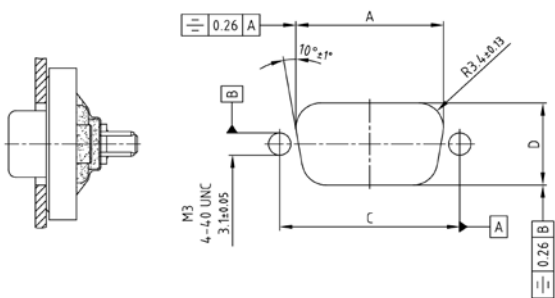


Lock-in range

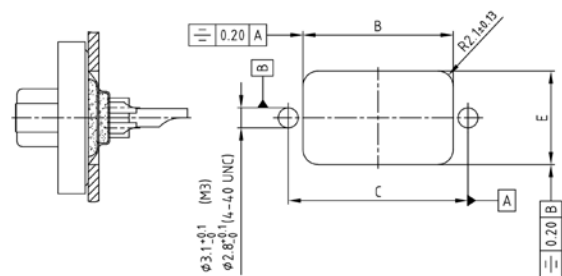


Panel cut-out

Back panel mounting



Front panel mounting



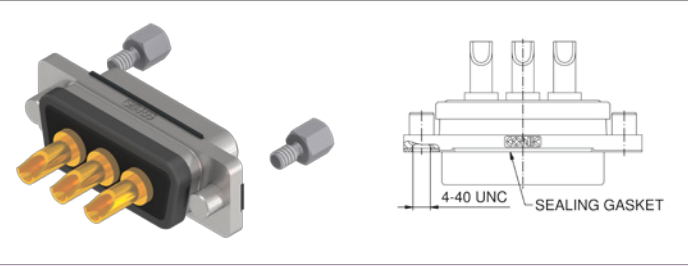
| Shell size | A ± 0.1 | B ± 0.1 | C ± 0.1 | D ± 0.1 | E ± 0.1 |
|------------|---------|---------|---------|---------|---------|
| 1 | 20.50 | 20.90 | 25.00 | 11.40 | 13.00 |
| 2 | 28.80 | 29.20 | 33.30 | 11.40 | 13.00 |
| 3 | 42.50 | 42.90 | 47.04 | 11.40 | 13.00 |
| 4 | 59.10 | 59.40 | 63.50 | 11.40 | 13.00 |
| 5 | 56.30 | 57.00 | 61.10 | 14.10 | 15.80 |

Technical specifications are subject to change without notice.

IP67 COMBINATION D-SUB CONNECTORS
CONEC SlimCon with high power contacts 20 A

Solder cup straight
 Precision machined contacts, AWG 12-14

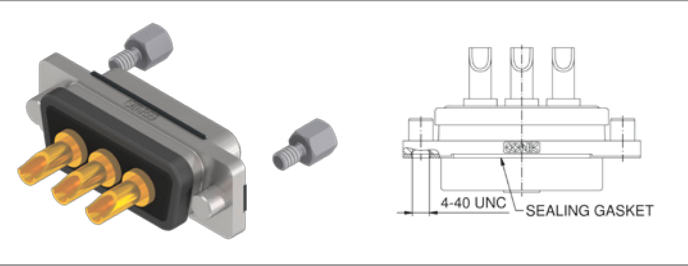
4-40 UNC threaded insert



| No. of poles | Current rating high power contacts [A] | Working voltage [V] | Quality class | Part No. Socket contact | Part No. Plug contact |
|--------------|--|---------------------|---------------|-------------------------|-----------------------|
| 3W3 | 20 | 250 | 3 | 15-007953 | 15-008083 |
| 5W5 | | | | 15-007963 | 15-008093 |

One-piece zinc die-cast nickel plated shell
 Quality class 3 (A) = 50 mating cycles
 Stainless steel hex bolts are supplied loose
 On request:
 • Quality class 1 (C) = 500 mating cycles

4-40 UNC threaded insert, coded version

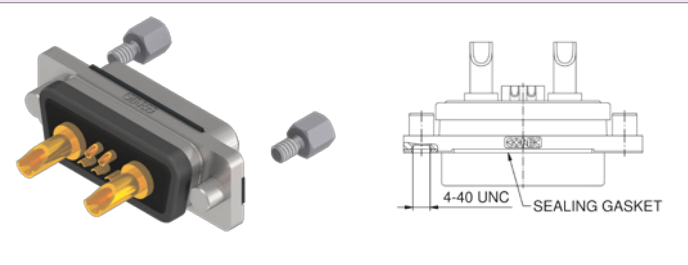


| | | | | | |
|------|----|-----|---|-----------|-----------|
| 2W2C | 20 | 250 | 3 | 15-007933 | |
| 3W3C | | | | 15-007943 | 15-008073 |

IP67 COMBINATION D-SUB CONNECTORS
CONEC SlimCon with signal contacts & high power contacts 20 A

Solder cup straight
 Precision machined contacts, AWG 20 and AWG 12-14

4-40 UNC threaded insert



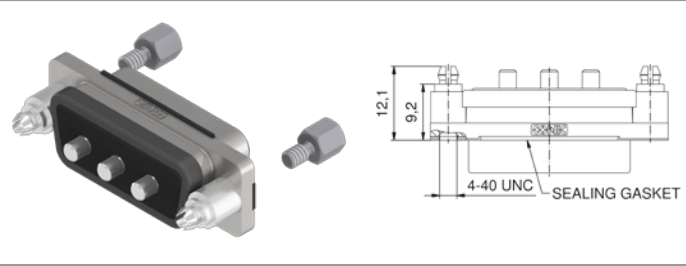
| No. of poles | Current rating signal contacts [A] | Current rating high power contacts [A] | Working voltage [V] | Quality class | Part No. Socket contact | Part No. Plug contact |
|--------------|------------------------------------|--|---------------------|---------------|-------------------------|-----------------------|
| 7W2 | 75 (UI) / 5 (CSA VDE) | 20 | 250 | 3 | 15-007973 | 15-008103 |

One-piece zinc die-cast nickel plated shell
 Quality class 3 (A) = 50 mating cycles
 Stainless steel hex bolts are supplied loose
 On request:
 • Quality class 1 (C) = 500 mating cycles

IP67 COMBINATION D-SUB CONNECTORS
CONEC SlimCon with high power contacts 20 A

Solder pin straight
 Precision machined contacts

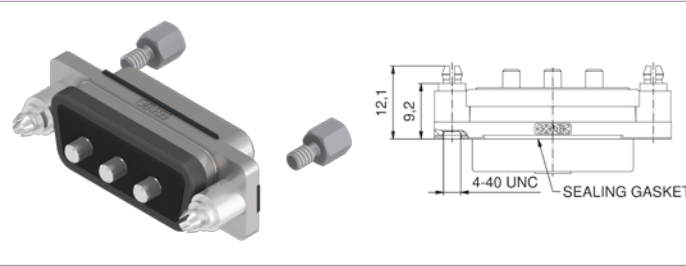
4-40 UNC front, threaded rear spacer clip for PCB 1.6 mm



| No. of poles | Current rating high power contacts [A] | Betriebsspannung [V] | Quality class | Part No. Socket contact | Part No. Plug contact |
|--------------|--|----------------------|---------------|-------------------------|-----------------------|
| 3W3 | 20 | 250 | 3 | 15-007083 | 15-007213 |
| 5W5 | | | | 15-007093 | 15-007223 |

One-piece zinc die-cast nickel plated shell
 Quality class 3 (A) = 50 mating cycles
 Stainless steel hex bolts are supplied loose
 On request:
 • Quality class 1 (C) = 500 mating cycles

4-40 UNC front, threaded rear spacer clip for PCB 1.6 mm, coded version

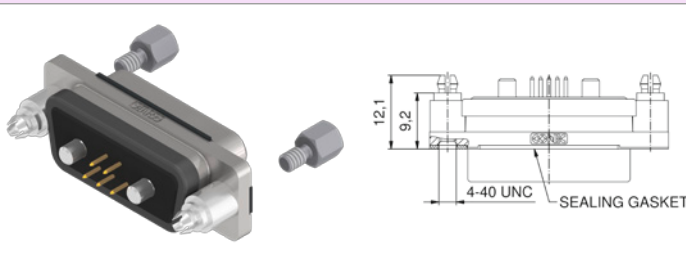


| | | | | | |
|------|----|-----|---|-----------|-----------|
| 2W2C | 20 | 250 | 3 | 15-007063 | |
| 3W3C | | | | 15-007073 | 15-007203 |

IP67 COMBINATION D-SUB CONNECTORS
CONEC SlimCon with signal contacts & high power contacts 20 A

Solder pin straight
 Precision machined contacts

4-40 UNC front, threaded rear spacer clip for PCB 1.6 mm



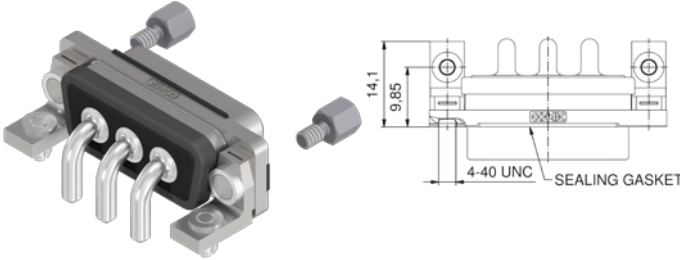
| No. of poles | Current rating signal contacts [A] | Current rating high power contacts [A] | Working voltage [V] | Quality class | Part No. Socket contact | Part No. Plug contact |
|--------------|------------------------------------|--|---------------------|---------------|-------------------------|-----------------------|
| 7W2 | 75 (UI) / 5 (CSA VDE) | 20 | 250 | 3 | 15-007103 | 15-007233 |

One-piece zinc die-cast nickel plated shell
 Quality class 3 (A) = 50 mating cycles
 Stainless steel hex bolts are supplied loose
 On request:
 • Quality class 1 (C) = 500 mating cycles

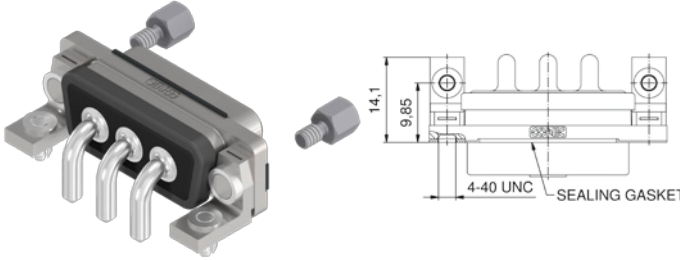
**IP67 COMBINATION D-SUB CONNECTORS
CONEC SlimCon with high power contacts 20 A**

Solder pin angled
Precision machined contacts, metal bracket

Mounting bracket PCB clip

|  | No. of poles | Current rating high power contacts [A] | Working voltage [V] | Quality class | Part No. Socket contact | Part No. Plug contact |
|---|--------------|--|---------------------|---------------|-------------------------|-----------------------|
| | 3W3 | 20 | 250 | 3 | 15-007353 | 15-007483 |
| 5W5 | | | | 15-007363 | 15-007493 | |

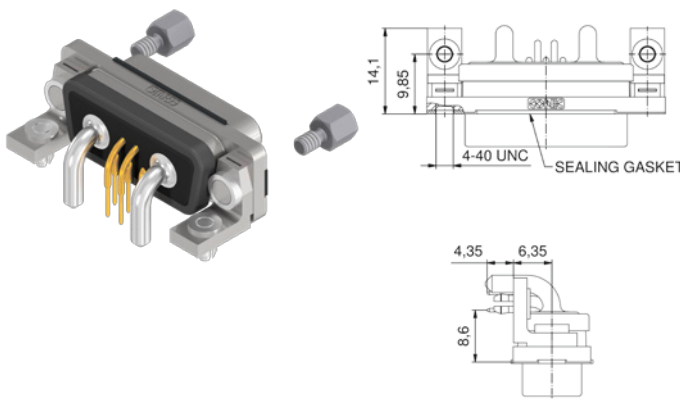
Mounting bracket PCB clip, coded version

|  | No. of poles | Current rating high power contacts [A] | Working voltage [V] | Quality class | Part No. Socket contact | Part No. Plug contact |
|---|--------------|--|---------------------|---------------|-------------------------|-----------------------|
| | 2W2C | 20 | 250 | 3 | 15-007333 | |
| 3W3C | | | | 15-007343 | 15-007483 | |

**IP67 COMBINATION D-SUB CONNECTORS
CONEC SlimCon with signal contacts & high power contacts 20 A**

Solder pin angled, .338"/8.6 mm
Precision machined contacts, metal bracket

Mounting bracket PCB clip

|  | No. of poles | Current rating signal contacts [A] | Current rating high power contacts [A] | Working voltage [V] | Quality class | Part No. Socket contact | Part No. Plug contact |
|---|--------------|------------------------------------|--|---------------------|---------------|-------------------------|-----------------------|
| | 7W2 | 75 (UI) / 5 (CSA VDE) | 20 | 250 | 3 | 15-007373 | 15-007503 |

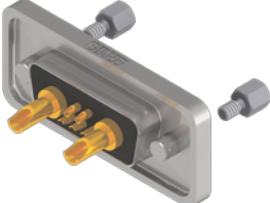
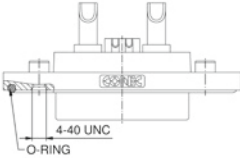
One-piece zinc die-cast nickel plated shell
Quality class 3 (A) = 50 mating cycles
Stainless steel hex bolts are supplied loose
On request:
• Quality class 1 (C) = 500 mating cycles

One-piece zinc die-cast nickel plated shell
Quality class 3 (A) = 50 mating cycles
Stainless steel hex bolts are supplied loose
On request:
• Quality class 1 (C) = 500 mating cycles

IP67 COMBINATION D-SUB CONNECTORS
Solid Body with signal & high power contacts 20 A

Solder cup straight
Precision machined contacts, AWG 20 and AWG 12-14


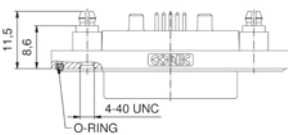
4-40 UNC threaded insert

|   | No. of poles | Current rating signal contacts [A] | Current rating high power contacts [A] | Working voltage [V] | Quality class | Part No. Socket contact | Part No. Plug contact |
|---|-----------------------|------------------------------------|--|---------------------|---------------|-------------------------|-----------------------|
| | | | | | | | |
| 5W1 | 75 (UI) / 5 (CSA VDE) | 20 | 250 | 3 | 15-005063 | 15-005193 | |
| 7W2 | | | | | 15-001103 | 15-004643 | |
| 11W1 | | | | | 15-005073 | 15-005203 | |
| 9W4 | | | | | 15-005083 | 15-005213 | |
| 13W3 | | | | | 15-004563 | 15-004553 | |
| 17W2 | | | | | 15-004453 | 15-004543 | |
| 21W1 | | | | | 15-005093 | 15-005223 | |
| 13W6 | | | | | 15-005103 | 15-005233 | |
| 17W5 | | | | | 15-005113 | 15-005243 | |
| 21WA4 | | | | | 15-005123 | 15-005253 | |
| 25W3 | | | | | 15-005133 | 15-005263 | |
| 27W2 | | | | | 15-005143 | 15-005273 | |
| 24W7 | | | | | 15-005153 | 15-005283 | |
| 36W4 | | | | | 15-005163 | 15-005293 | |
| 43W2 | | | | | 15-005173 | 15-005303 | |
| 47W1 | | | | | 15-005183 | 15-005313 | |

One-piece zinc die-cast nickel plated shell
Quality class 3 (A) = 50 mating cycles
Stainless steel hex bolts are supplied loose
On request:
• Quality class 1 (C) = 500 mating cycles

Solder pin straight
Precision machined contacts

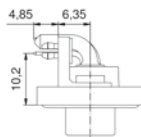
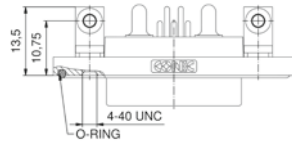
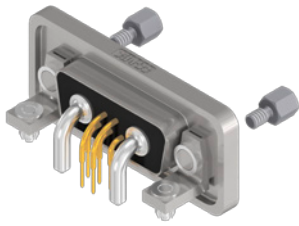
4-40 UNC front, threaded rear spacer clip for PCB 1.6 mm

|   | No. of poles | Current rating signal contacts [A] | Current rating high power contacts [A] | Working voltage [V] | Quality class | Part No. Socket contact | Part No. Plug contact |
|---|-----------------------|------------------------------------|--|---------------------|---------------|-------------------------|-----------------------|
| | | | | | | | |
| 5W1 | 75 (UI) / 5 (CSA VDE) | 20 | 250 | 3 | 15-005323 | 15-005473 | |
| 7W2 | | | | | 15-001823 | 15-001863 | |
| 11W1 | | | | | 15-005333 | 15-005483 | |
| 9W4 | | | | | 15-005343 | 15-005493 | |
| 13W3 | | | | | 15-005353 | 15-005503 | |
| 17W2 | | | | | 15-005363 | 15-005513 | |
| 21W1 | | | | | 15-005373 | 15-005523 | |
| 13W6 | | | | | 15-005383 | 15-005533 | |
| 17W5 | | | | | 15-005393 | 15-005543 | |
| 21WA4 | | | | | 15-005403 | 15-005553 | |
| 25W3 | | | | | 15-005413 | 15-005563 | |
| 27W2 | | | | | 15-005423 | 15-005573 | |
| 24W7 | | | | | 15-005433 | 15-005583 | |
| 36W4 | | | | | 15-005443 | 15-005593 | |
| 43W2 | | | | | 15-005453 | 15-005603 | |
| 47W1 | | | | | 15-005463 | 15-005613 | |

IP67 COMBINATION D-SUB CONNECTORS
Solid Body with signal & high power contacts 20 A

Solder pin angled, .402"/10.2 mm
Precision machined contacts, metal bracket

Mounting bracket PCB clip



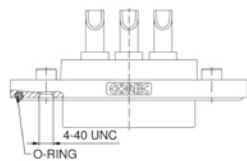
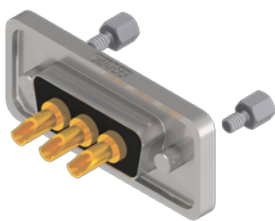
| No. of poles | Current rating signal contacts [A] | Current rating high power contacts [A] | Working voltage [V] | Quality class | Part No. Socket contact | Part No. Plug contact |
|--------------|------------------------------------|--|---------------------|---------------|-------------------------|-----------------------|
| 5W1 | 75 (UL) / 5 (CSA VDE) | 20 | 250 | 3 | 15-005623 | 15-005763 |
| 7W2 | | | | | 15-001463 | 15-001503 |
| 11W1 | | | | | 15-005633 | 15-005773 |
| 9W4 | | | | | 15-005643 | 15-005783 |
| 13W3 | | | | | 15-005653 | 15-005793 |
| 17W2 | | | | | 15-005663 | 15-002323 |
| 21W1 | | | | | 15-005673 | 15-005803 |
| 13W6 | | | | | 15-005683 | 15-005813 |
| 17W5 | | | | | 15-005693 | 15-005823 |
| 21WA4 | | | | | 15-005703 | 15-005833 |
| 25W3 | | | | | 15-005713 | 15-002333 |
| 27W2 | | | | | 15-005723 | 15-005843 |
| 24W7 | | | | | 15-005733 | 15-005853 |
| 36W4 | | | | | 15-005743 | 15-002293 |
| 43W2 | | | | | 15-004593 | 15-005863 |
| 47W1 | | | | | 15-005753 | 15-005873 |

One-piece zinc die-cast nickel plated shell
Quality class 3 (A) = 50 mating cycles
Stainless steel hex bolts are supplied loose
On request:
• Quality class 1 (C) = 500 mating cycles

IP67 COMBINATION D-SUB CONNECTORS
Solid Body with high power contacts 20 A

Solder cup straight
Precision machined contacts, AWG 12-14

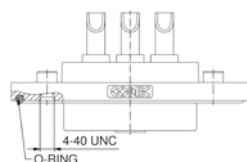
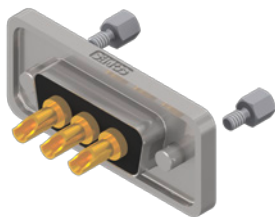
4-40 UNC threaded insert



| No. of poles | Current rating high power contacts [A] | Working voltage [V] | Quality class | Part No. Socket contact | Part No. Plug contact |
|--------------|--|---------------------|---------------|-------------------------|-----------------------|
| 3W3 | 20 | 250 | 3 | 15-001083 | 15-001123 |
| 5W5 | | | | 15-001093 | 15-001133 |
| 8W8 | | | | 15-001613 | 15-001653 |

One-piece zinc die-cast nickel plated shell
Quality class 3 (A) = 50 mating cycles
Stainless steel hex bolts are supplied loose
On request:
• Quality class 1 (C) = 500 mating cycles

4-40 UNC threaded insert, coded version


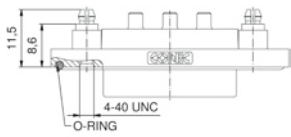


| | | | | | |
|------|----|-----|---|-----------|-----------|
| 2W2C | 20 | 250 | 3 | 15-001063 | |
| 3W3C | | | | 15-001073 | 15-001113 |

IP67 COMBINATION D-SUB CONNECTORS
Solid Body with high power contacts 20 A


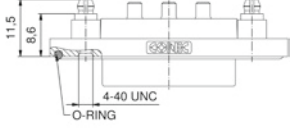
Solder pin straight
Precision machined contacts

4-40 UNC front, threaded rear spacer clip for PCB 1.6 mm

|   | No. of poles | Current rating high power contacts [A] | Betriebsspannung [V] | Quality class | Part No. Socket contact | Part No. Plug contact |
|---|--------------|--|----------------------|---------------|-------------------------|-----------------------|
| | | | | | Part No. Socket contact | Part No. Plug contact |
| | 3W3 | | | | 15-001803 | 15-001843 |
| | 5W5 | 20 | 250 | 3 | 15-001813 | 15-001853 |
| | 8W8 | | | | 15-002023 | |

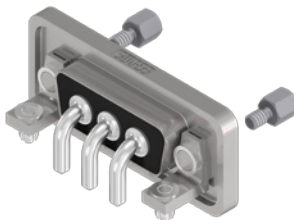
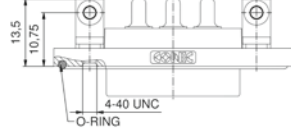
One-piece zinc die-cast nickel plated shell
Quality class 3 (A) = 50 mating cycles
Stainless steel hex bolts are supplied loose
On request:
• Quality class 1 (C) = 500 mating cycles

4-40 UNC front, threaded rear spacer clip for PCB 1.6 mm

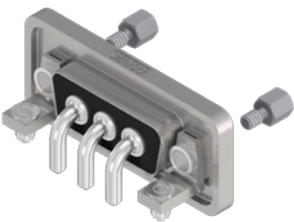
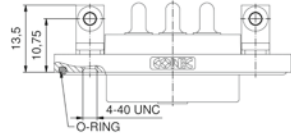
|   | No. of poles | Current rating high power contacts [A] | Betriebsspannung [V] | Quality class | Part No. Socket contact | Part No. Plug contact |
|---|--------------|--|----------------------|---------------|-------------------------|-----------------------|
| | | | | | Part No. Socket contact | Part No. Plug contact |
| | 8W8 | | | | 15-001783 | 15-001833 |
| | 3W3C | 20 | 250 | 3 | 15-001793 | 15-005883 |

Solder pin angled
Precision machined contacts, metal bracket

Mounting bracket PCB clip

|   | No. of poles | Current rating high power contacts [A] | Betriebsspannung [V] | Quality class | Part No. Socket contact | Part No. Plug contact |
|---|--------------|--|----------------------|---------------|-------------------------|-----------------------|
| | | | | | Part No. Socket contact | Part No. Plug contact |
| | 3W3 | | | | 15-001443 | 15-001483 |
| | 5W5 | 20 | 250 | 3 | 15-001453 | 15-001493 |
| | 8W8 | | | | 15-001963 | 15-001993 |

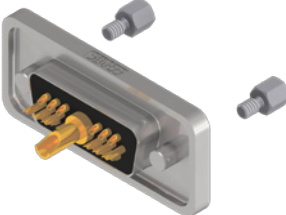
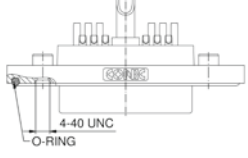
Mounting bracket PCB clip

|   | No. of poles | Current rating high power contacts [A] | Betriebsspannung [V] | Quality class | Part No. Socket contact | Part No. Plug contact |
|---|--------------|--|----------------------|---------------|-------------------------|-----------------------|
| | | | | | Part No. Socket contact | Part No. Plug contact |
| | 2W2C | | | | 15-001423 | |
| | 3W3C | 20 | 250 | 3 | 15-001433 | 15-001473 |

IP67 COMBINATION D-SUB CONNECTORS
Solid Body with signal & high power contacts 20 A

Solder cup straight
Precision machined contacts, AWG 12-14

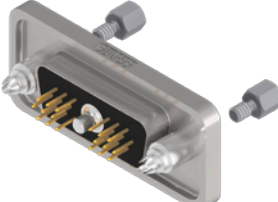
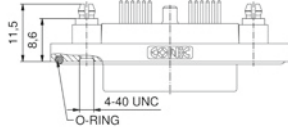
4-40 UNC threaded insert

|   | No. of poles | Current rating signal contacts [A] | Current rating high power contacts [A] | Working voltage [V] | Quality class | Part No. Socket contact | Part No. Plug contact |
|---|-------------------------|------------------------------------|--|---------------------|---------------|-------------------------|-----------------------|
| | | | | | | Part No. Socket contact | Part No. Plug contact |
| 15W4 | 3 (UL, VDE) / 2.5 (CSA) | 20 | 60 | 3 | 15-005893 | 15-005923 | |
| 19W1 | | | | | 15-005903 | 15-005933 | |
| 45W2 | | | | | 15-005913 | 15-005943 | |

One-piece zinc die-cast nickel plated shell
Quality class 3 (A) = 50 mating cycles
Stainless steel hex bolts are supplied loose
On request:
• Quality class 1 (C) = 500 mating cycles

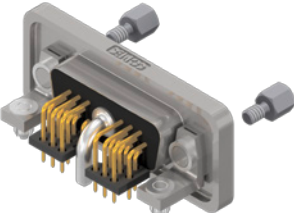
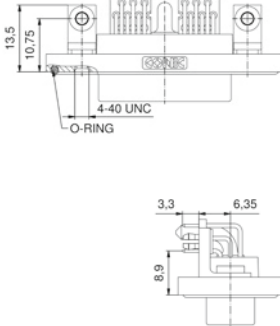
Solder pin straight
Precision machined contacts

4-40 UNC front, threaded rear spacer clip for PCB 1.6 mm

|   | No. of poles | Current rating signal contacts [A] | Current rating high power contacts [A] | Working voltage [V] | Quality class | Part No. Socket contact | Part No. Plug contact |
|---|-------------------------|------------------------------------|--|---------------------|---------------|-------------------------|-----------------------|
| | | | | | | Part No. Socket contact | Part No. Plug contact |
| 15W4 | 3 (UL, VDE) / 2.5 (CSA) | 20 | 60 | 3 | 15-005953 | 15-005983 | |
| 19W1 | | | | | 15-005963 | 15-005993 | |
| 45W2 | | | | | 15-005973 | 15-006003 | |

Solder pin angled
Precision machined contacts, metal bracket

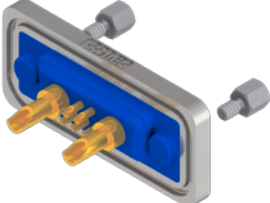
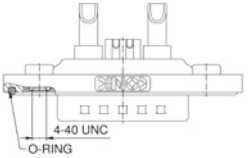
Mounting bracket PCB clip

|   | No. of poles | Current rating signal contacts [A] | Current rating high power contacts [A] | Working voltage [V] | Quality class | Part No. Socket contact | Part No. Plug contact |
|---|-------------------------|------------------------------------|--|---------------------|---------------|-------------------------|-----------------------|
| | | | | | | Part No. Socket contact | Part No. Plug contact |
| 15W4 | 3 (UL, VDE) / 2.5 (CSA) | 20 | 60 | 3 | 15-006013 | 15-006043 | |
| 19W1 | | | | | 15-006023 | 15-006053 | |
| 45W2 | | | | | 15-006033 | 15-006063 | |

IP67 COMBINATION D-SUB CONNECTORS
With signal & high power contacts 10 A

Solder cup
Precision machined contacts, AWG 20

4-40 UNC threaded insert

| 4-40 UNC threaded insert | | No. of poles | Current rating signal contacts [A] | Current rating high power contacts [A] | Working voltage [V] | UL-File | Quality class | Part No. Socket contact | Part No. Plug contact |
|---|-------|------------------------|------------------------------------|--|---------------------|---------|------------------|-------------------------|-----------------------|
|   | 5W1 | 75 (UI) / 5 (CSA, VDE) | 10 | 250 | E202784 | 3 | 6005W1SAM61 B30X | 6005W1PAM61 B30X | |
| | 7W2 | | | | | | 6007W2SAM61 B30X | 6007W2PAM61 B30X | |
| | 11W1 | | | | | | 6011W1SAM61 B30X | 6011W1PAM61 B30X | |
| | 9W4 | | | | | | 6009W4SAM61 B30X | 6009W4PAM61 B30X | |
| | 13W3 | | | | | | 6013W3SAM61 B30X | 6013W3PAM61 B30X | |
| | 17W2 | | | | | | 6017W2SAM61 B30X | 6017W2PAM61 B30X | |
| | 21W1 | | | | | | 6021W1SAM61 B30X | 6021W1PAM61 B30X | |
| | 13W6 | | | | | | 6013W6SAM61 B30X | 6013W6PAM61 B30X | |
| | 17W5 | | | | | | 6017W5SAM61 B30X | 6017W5PAM61 B30X | |
| | 21WA4 | | | | | | 621WA4SAM61 B30X | 621WA4PAM61 B30X | |
| | 25W3 | | | | | | 6025W3SAM61 B30X | 6025W3PAM61 B30X | |
| | 27W2 | | | | | | 6027W2SAM61 B30X | 6027W2PAM61 B30X | |
| | 24W7 | | | | | | 6024W7SAM61 B30X | 6024W7PAM61 B30X | |
| | 36W4 | | | | | | 6036W4SAM61 B30X | 6036W4PAM61 B30X | |
| | 43W2 | | | | | | 6043W2SAM61 B30X | 6043W2PAM61 B30X | |
| | 47W1 | | | | | | 6047W1SAM61 B30X | 6047W1PAM61 B30X | |

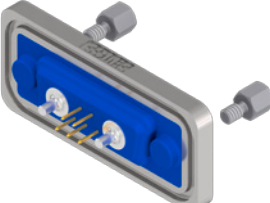
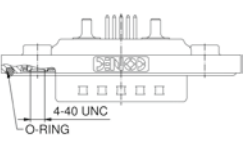
Shell: Brass tin plated
Nickel plated die-cast frame
Quality class 3 (A) = 50 mating cycles
Stainless steel hex bolts are supplied loose
On request:
• Shell: Stainless steel
• Quality class 1 (C) = 500 mating cycles
• M3 thread

| For other Power contacts select code from spread sheet | | |
|--|-------|----------------|
| Code | AWG | Current rating |
| 61 | 16-20 | 10 A |
| 62 | 12-14 | 20 A |

IP67 COMBINATION D-SUB CONNECTORS
With signal & high power contacts 20 A

Solder pin straight
Precision machined contacts

4-40 UNC threaded insert

| 4-40 UNC threaded insert | | No. of poles | Current rating signal contacts [A] | Current rating high power contacts [A] | Working voltage [V] | UL-File | Quality class | Part No. Socket contact | Part No. Plug contact |
|---|-------|------------------------|------------------------------------|--|---------------------|---------|-----------------|-------------------------|-----------------------|
|   | 5W1 | 75 (UI) / 5 (CSA, VDE) | 20 | 250 | E202784 | 3 | 6005W1SAR68B30X | 6005W1PAR68B30X | |
| | 7W2 | | | | | | 6007W2SAR68B30X | 6007W2PAR68B30X | |
| | 11W1 | | | | | | 6011W1SAR68B30X | 6011W1PAR68B30X | |
| | 9W4 | | | | | | 6009W4SAR68B30X | 6009W4PAR68B30X | |
| | 13W3 | | | | | | 6013W3SAR68B30X | 6013W3PAR68B30X | |
| | 17W2 | | | | | | 6017W2SAR68B30X | 6017W2PAR68B30X | |
| | 21W1 | | | | | | 6021W1SAR68B30X | 6021W1PAR68B30X | |
| | 13W6 | | | | | | 6013W6SAR68B30X | 6013W6PAR68B30X | |
| | 17W5 | | | | | | 6017W5SAR68B30X | 6017W5PAR68B30X | |
| | 21WA4 | | | | | | 621WA4SAR68B30X | 621WA4PAR68B30X | |
| | 25W3 | | | | | | 6025W3SAR68B30X | 6025W3PAR68B30X | |
| | 27W2 | | | | | | 6027W2SAR68B30X | 6027W2PAR68B30X | |
| | 24W7 | | | | | | 6024W7SAR68B30X | 6024W7PAR68B30X | |
| | 36W4 | | | | | | 6036W4SAR68B30X | 6036W4PAR68B30X | |
| | 43W2 | | | | | | 6043W2SAR68B30X | 6043W2PAR68B30X | |
| | 47W1 | | | | | | 6047W1SAR68B30X | 6047W1PAR68B30X | |

Shell: Brass tin plated
Nickel plated die-cast frame
Quality class 3 (A) = 50 mating cycles
Stainless steel hex bolts are supplied loose
On request:
• Shell: Stainless steel
• Quality class 1 (C) = 500 mating cycles
• M3 thread


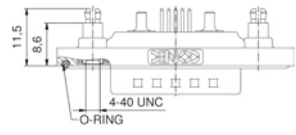
| For other Power contacts select code from spread sheet | | |
|--|----------------|---------------------|
| Code | Current rating | Diameter solder pin |
| 68 | 20 A | 1.95 |
| 69 | 20 A | 2.60 |
| 70 | 20 A | 2.85 |
| 71 | 30 A | 3.18 |
| 72 | 40 A | 3.75 |

IP67 COMBINATION D-SUB CONNECTORS With signal & high power contacts 20 A

Solder pin straight
Precision machined contacts, threaded rear spacer with PCB clip

4-40 UNC front, threaded rear spacer clip for PCB 1.6 mm

| No. of poles | | Current rating signal contacts [A] | Current rating high power contacts [A] | Working voltage [V] | UL-File | Quality class | Part No. Socket contact | Part No. Plug contact |
|--------------|--|------------------------------------|--|---------------------|---------|---------------|-------------------------|-----------------------|
| 5W1 | | 75 (UL) / 5 (CSA VDE) | 20 | 250 | E202784 | 3 | 6005W1SAR68E20X | 6005W1PAR68E20X |
| 7W2 | | | | | | | 6007W2SAR68E20X | 6007W2PAR68E20X |
| 11W1 | | | | | | | 6011W1SAR68E20X | 6011W1PAR68E20X |
| 9W4 | | | | | | | 6009W4SAR68E20X | 6009W4PAR68E20X |
| 13W3 | | | | | | | 6013W3SAR68E20X | 6013W3PAR68E20X |
| 17W2 | | | | | | | 6017W2SAR68E20X | 6017W2PAR68E20X |
| 21W1 | | | | | | | 6021W1SAR68E20X | 6021W1PAR68E20X |
| 13W6 | | | | | | | 6013W6SAR68E20X | 6013W6PAR68E20X |
| 17W5 | | | | | | | 6017W5SAR68E20X | 6017W5PAR68E20X |
| 21WA4 | | | | | | | 621WA4SAR68E20X | 621WA4PAR68E20X |
| 25W3 | | | | | | | 6025W3SAR68E20X | 6025W3PAR68E20X |
| 27W2 | | | | | | | 6027W2SAR68E20X | 6027W2PAR68E20X |
| 24W7 | | | | | | | 6024W7SAR68E20X | 6024W7PAR68E20X |
| 36W4 | | | | | | | 6036W4SAR68E20X | 6036W4PAR68E20X |
| 43W2 | | | | | | | 6043W2SAR68E20X | 6043W2PAR68E20X |
| 47W1 | | | | | | | 6047W1SAR68E20X | 6047W1PAR68E20X |

For other Power contacts select code from spread sheet

| Code | Current rating | Diameter solder pin |
|------|----------------|---------------------|
| 68 | 20 A | 1.95 |
| 69 | 20 A | 2.60 |
| 70 | 20 A | 2.85 |
| 71 | 30 A | 3.18 |
| 72 | 40 A | 3.75 |

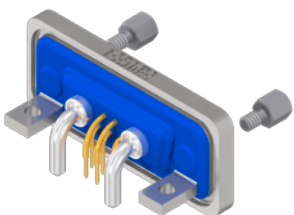
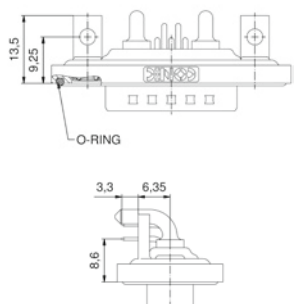
Shell: Brass tin plated
Nickel plated die-cast frame
Quality class 3 (A) = 50 mating cycles
Stainless steel hex bolts are supplied loose
On request:
• Shell: Stainless steel
• Quality class 1 (C) = 500 mating cycles
• M3 thread

IP67 COMBINATION D-SUB CONNECTORS With signal & high power contacts 15 A

Solder pin angled, .338"/8.6 mm
Precision machined contacts, metal bracket

4-40 UNC threaded insert

| No. of poles | | Current rating signal contacts [A] | Current rating high power contacts [A] | Working voltage [V] | UL-File | Quality class | Part No. Socket contact | Part No. Plug contact |
|--------------|--|------------------------------------|--|---------------------|---------|---------------|-------------------------|-----------------------|
| 5W1 | | 75 (UL) / 5 (CSA VDE) | 15 | 250 | E202784 | 3 | 6005W1SAT59S20X | 6005W1PAT59S20X |
| 7W2 | | | | | | | 6007W2SAT59S20X | 6007W2PAT59S20X |
| 11W1 | | | | | | | 6011W1SAT59S20X | 6011W1PAT59S20X |
| 9W4 | | | | | | | 6009W4SAT59S20X | 6009W4PAT59S20X |
| 13W3 | | | | | | | 6013W3SAT59S20X | 6013W3PAT59S20X |
| 17W2 | | | | | | | 6017W2SAT59S20X | 6017W2PAT59S20X |
| 21W1 | | | | | | | 6021W1SAT59S20X | 6021W1PAT59S20X |
| 13W6 | | | | | | | 6013W6SAT59S20X | 6013W6PAT59S20X |
| 17W5 | | | | | | | 6017W5SAT59S20X | 6017W5PAT59S20X |
| 21WA4 | | | | | | | 621WA4SAT59S20X | 621WA4PAT59S20X |
| 25W3 | | | | | | | 6025W3SAT59S20X | 6025W3PAT59S20X |
| 27W2 | | | | | | | 6027W2SAT59S20X | 6027W2PAT59S20X |
| 24W7 | | | | | | | 6024W7SAT81S20X | 6024W7PAT81S20X |
| 36W4 | | | | | | | 6036W4SAT81S20X | 6036W4PAT81S20X |
| 43W2 | | | | | | | 6043W2SAT81S20X | 6043W2PAT81S20X |
| 47W1 | | | | | | | 6047W1SAT81S20X | 6047W1PAT81S20X |

For other Power contacts select code from spread sheet

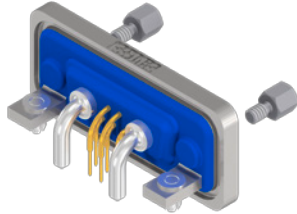
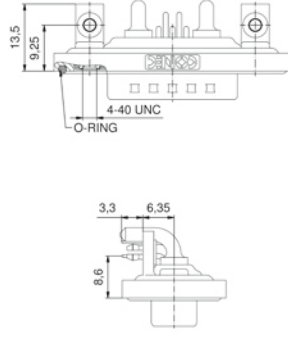
| Code | Shellsize | Current rating | Diameter solder pin |
|------|-----------|----------------|---------------------|
| 59 | 1-4 | 15 A | 1.90 |
| 73 | 1-4 | 20 A | 2.85 |
| 74 | 1-4 | 30 A | 3.20 |
| 75 | 1-4 | 40 A | 3.75 |
| 81 | 5 | 20 A | 2.85 |
| 82 | 5 | 30 A | 3.20 |
| 85 | 5 | 30 A | 3.20 |
| 77 | 5 | 40 A | 3.75 |

Shell: Brass tin plated
Nickel plated die-cast frame
Quality class 3 (A) = 50 mating cycles
Stainless steel hex bolts are supplied loose
On request:
• Shell: Stainless steel
• Quality class 1 (C) = 500 mating cycles
• M3 thread

IP67 COMBINATION D-SUB CONNECTORS With signal & high power contacts 15 A

Solder pin angled, .338"/8.6 mm
Precision machined contacts, metal bracket with PCB clip

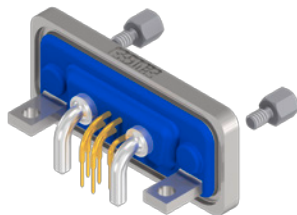
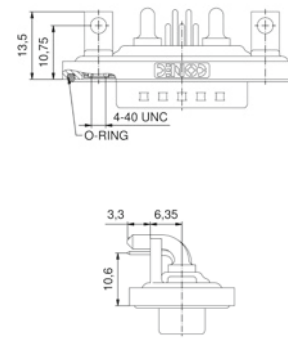
Clip for PCB 1.6 mm, 4-40 UNC threaded insert

| Clip for PCB 1.6 mm, 4-40 UNC threaded insert | | No. of poles | Current rating signal contacts [A] | Current rating high power contacts [A] | Working voltage [V] | UL-File | Quality class | Part No. Socket contact | Part No. Plug contact | | | | | | | | | | | | | | | | | | | | | | | | | | | | | | | | | | | | | | | |
|--|--|-----------------|------------------------------------|--|---------------------|-----------|----------------|-------------------------|-----------------------|-----|------|------|----|-----|------|------|----|-----|------|------|----|-----|------|------|----|---|------|------|----|---|------|------|----|---|------|------|----|---|------|------|-----|-----------------------|----|-----|---------|---|-----------------|-----------------|
|   <table border="1" data-bbox="108 784 606 1041"> <thead> <tr> <th colspan="4">For other Power contacts select code from spread sheet</th> </tr> <tr> <th>Code</th> <th>Shellsize</th> <th>Current rating</th> <th>Diameter solder pin</th> </tr> </thead> <tbody> <tr><td>59</td><td>1-4</td><td>15 A</td><td>1.90</td></tr> <tr><td>73</td><td>1-4</td><td>20 A</td><td>2.85</td></tr> <tr><td>74</td><td>1-4</td><td>30 A</td><td>3.20</td></tr> <tr><td>75</td><td>1-4</td><td>40 A</td><td>3.75</td></tr> <tr><td>81</td><td>5</td><td>20 A</td><td>2.85</td></tr> <tr><td>82</td><td>5</td><td>30 A</td><td>3.20</td></tr> <tr><td>85</td><td>5</td><td>30 A</td><td>3.20</td></tr> <tr><td>77</td><td>5</td><td>40 A</td><td>3.75</td></tr> </tbody> </table> | For other Power contacts select code from spread sheet | | | | Code | Shellsize | Current rating | Diameter solder pin | 59 | 1-4 | 15 A | 1.90 | 73 | 1-4 | 20 A | 2.85 | 74 | 1-4 | 30 A | 3.20 | 75 | 1-4 | 40 A | 3.75 | 81 | 5 | 20 A | 2.85 | 82 | 5 | 30 A | 3.20 | 85 | 5 | 30 A | 3.20 | 77 | 5 | 40 A | 3.75 | 5W1 | 75 (UL) / 5 (CSA VDE) | 15 | 250 | E202784 | 3 | 6005W1SAT59S40X | 6005W1PAT59S40X |
| | For other Power contacts select code from spread sheet | | | | | | | | | | | | | | | | | | | | | | | | | | | | | | | | | | | | | | | | | | | | | | | |
| | Code | Shellsize | Current rating | Diameter solder pin | | | | | | | | | | | | | | | | | | | | | | | | | | | | | | | | | | | | | | | | | | | | |
| | 59 | 1-4 | 15 A | 1.90 | | | | | | | | | | | | | | | | | | | | | | | | | | | | | | | | | | | | | | | | | | | | |
| | 73 | 1-4 | 20 A | 2.85 | | | | | | | | | | | | | | | | | | | | | | | | | | | | | | | | | | | | | | | | | | | | |
| | 74 | 1-4 | 30 A | 3.20 | | | | | | | | | | | | | | | | | | | | | | | | | | | | | | | | | | | | | | | | | | | | |
| | 75 | 1-4 | 40 A | 3.75 | | | | | | | | | | | | | | | | | | | | | | | | | | | | | | | | | | | | | | | | | | | | |
| | 81 | 5 | 20 A | 2.85 | | | | | | | | | | | | | | | | | | | | | | | | | | | | | | | | | | | | | | | | | | | | |
| | 82 | 5 | 30 A | 3.20 | | | | | | | | | | | | | | | | | | | | | | | | | | | | | | | | | | | | | | | | | | | | |
| | 85 | 5 | 30 A | 3.20 | | | | | | | | | | | | | | | | | | | | | | | | | | | | | | | | | | | | | | | | | | | | |
| | 77 | 5 | 40 A | 3.75 | | | | | | | | | | | | | | | | | | | | | | | | | | | | | | | | | | | | | | | | | | | | |
| | 7W2 | 6007W2SAT59S40X | 6007W2PAT59S40X | | | | | | | | | | | | | | | | | | | | | | | | | | | | | | | | | | | | | | | | | | | | | |
| | 11W1 | 6011W1SAT59S40X | 6011W1PAT59S40X | | | | | | | | | | | | | | | | | | | | | | | | | | | | | | | | | | | | | | | | | | | | | |
| | 9W4 | 6009W4SAT59S40X | 6009W4PAT59S40X | | | | | | | | | | | | | | | | | | | | | | | | | | | | | | | | | | | | | | | | | | | | | |
| | 13W3 | 6013W3SAT59S40X | 6013W3PAT59S40X | | | | | | | | | | | | | | | | | | | | | | | | | | | | | | | | | | | | | | | | | | | | | |
| | 17W2 | 6017W2SAT59S40X | 6017W2PAT59S40X | | | | | | | | | | | | | | | | | | | | | | | | | | | | | | | | | | | | | | | | | | | | | |
| | 21W1 | 6021W1SAT59S40X | 6021W1PAT59S40X | | | | | | | | | | | | | | | | | | | | | | | | | | | | | | | | | | | | | | | | | | | | | |
| | 13W6 | 6013W6SAT59S40X | 6013W6PAT59S40X | | | | | | | | | | | | | | | | | | | | | | | | | | | | | | | | | | | | | | | | | | | | | |
| 17W5 | 6017W5SAT59S40X | 6017W5PAT59S40X | | | | | | | | | | | | | | | | | | | | | | | | | | | | | | | | | | | | | | | | | | | | | | |
| 21WA4 | 621WA4SAT59S40X | 621WA4PAT59S40X | | | | | | | | | | | | | | | | | | | | | | | | | | | | | | | | | | | | | | | | | | | | | | |
| 25W3 | 6025W3SAT59S40X | 6025W3PAT59S40X | | | | | | | | | | | | | | | | | | | | | | | | | | | | | | | | | | | | | | | | | | | | | | |
| 27W2 | 6027W2SAT59S40X | 6027W2PAT59S40X | | | | | | | | | | | | | | | | | | | | | | | | | | | | | | | | | | | | | | | | | | | | | | |
| 24W7 | 6024W7SAT81S40X | 6024W7PAT81S40X | | | | | | | | | | | | | | | | | | | | | | | | | | | | | | | | | | | | | | | | | | | | | | |
| 36W4 | 6036W4SAT81S40X | 6036W4PAT81S40X | | | | | | | | | | | | | | | | | | | | | | | | | | | | | | | | | | | | | | | | | | | | | | |
| 43W2 | 6043W2SAT81S40X | 6043W2PAT81S40X | | | | | | | | | | | | | | | | | | | | | | | | | | | | | | | | | | | | | | | | | | | | | | |
| 47W1 | 6047W1SAT81S40X | 6047W1PAT81S40X | | | | | | | | | | | | | | | | | | | | | | | | | | | | | | | | | | | | | | | | | | | | | | |

Shell: Brass tin plated
Nickel plated die-cast frame
Quality class 3 (A) = 50 mating cycles
Stainless steel hex bolts are supplied loose
On request:
• Shell: Stainless steel
• Quality class 1 (C) = 500 mating cycles
• M3 thread

Solder pin angled, .417"/10.6 mm
Precision machined contacts, metal bracket

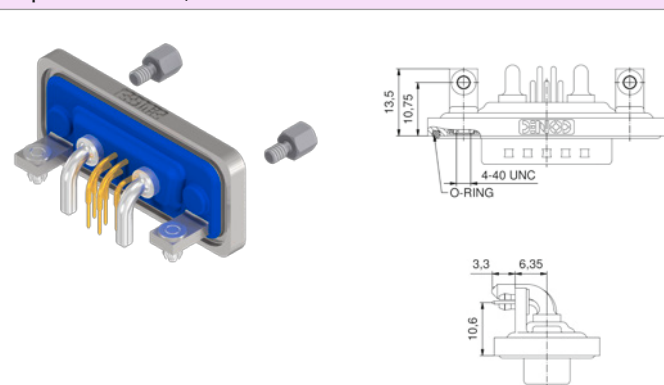
4-40 UNC threaded insert

| 4-40 UNC threaded insert | | No. of poles | Current rating signal contacts [A] | Current rating high power contacts [A] | Working voltage [V] | UL-File | Quality class | Part No. Socket contact | Part No. Plug contact | | | | | | | | | | | | | | | | | | | | | | | | | | | | | | | | | | | | | | | |
|---|--|-----------------|------------------------------------|--|---------------------|-----------|----------------|-------------------------|-----------------------|-----|------|------|----|-----|------|------|----|-----|------|------|----|-----|------|------|----|---|------|------|----|---|------|------|----|---|------|------|----|---|------|------|-----|-----------------------|----|-----|---------|---|-----------------|-----------------|
|   <table border="1" data-bbox="108 1668 606 1926"> <thead> <tr> <th colspan="4">For other Power contacts select code from spread sheet</th> </tr> <tr> <th>Code</th> <th>Shellsize</th> <th>Current rating</th> <th>Diameter solder pin</th> </tr> </thead> <tbody> <tr><td>59</td><td>1-4</td><td>15 A</td><td>1.90</td></tr> <tr><td>73</td><td>1-4</td><td>20 A</td><td>2.85</td></tr> <tr><td>74</td><td>1-4</td><td>30 A</td><td>3.20</td></tr> <tr><td>75</td><td>1-4</td><td>40 A</td><td>3.75</td></tr> <tr><td>81</td><td>5</td><td>20 A</td><td>2.85</td></tr> <tr><td>82</td><td>5</td><td>30 A</td><td>3.20</td></tr> <tr><td>85</td><td>5</td><td>30 A</td><td>3.20</td></tr> <tr><td>77</td><td>5</td><td>40 A</td><td>3.75</td></tr> </tbody> </table> | For other Power contacts select code from spread sheet | | | | Code | Shellsize | Current rating | Diameter solder pin | 59 | 1-4 | 15 A | 1.90 | 73 | 1-4 | 20 A | 2.85 | 74 | 1-4 | 30 A | 3.20 | 75 | 1-4 | 40 A | 3.75 | 81 | 5 | 20 A | 2.85 | 82 | 5 | 30 A | 3.20 | 85 | 5 | 30 A | 3.20 | 77 | 5 | 40 A | 3.75 | 5W1 | 75 (UL) / 5 (CSA VDE) | 15 | 250 | E202784 | 3 | 6005W1SAU59R20X | 6005W1PAU59R20X |
| | For other Power contacts select code from spread sheet | | | | | | | | | | | | | | | | | | | | | | | | | | | | | | | | | | | | | | | | | | | | | | | |
| | Code | Shellsize | Current rating | Diameter solder pin | | | | | | | | | | | | | | | | | | | | | | | | | | | | | | | | | | | | | | | | | | | | |
| | 59 | 1-4 | 15 A | 1.90 | | | | | | | | | | | | | | | | | | | | | | | | | | | | | | | | | | | | | | | | | | | | |
| | 73 | 1-4 | 20 A | 2.85 | | | | | | | | | | | | | | | | | | | | | | | | | | | | | | | | | | | | | | | | | | | | |
| | 74 | 1-4 | 30 A | 3.20 | | | | | | | | | | | | | | | | | | | | | | | | | | | | | | | | | | | | | | | | | | | | |
| | 75 | 1-4 | 40 A | 3.75 | | | | | | | | | | | | | | | | | | | | | | | | | | | | | | | | | | | | | | | | | | | | |
| | 81 | 5 | 20 A | 2.85 | | | | | | | | | | | | | | | | | | | | | | | | | | | | | | | | | | | | | | | | | | | | |
| | 82 | 5 | 30 A | 3.20 | | | | | | | | | | | | | | | | | | | | | | | | | | | | | | | | | | | | | | | | | | | | |
| | 85 | 5 | 30 A | 3.20 | | | | | | | | | | | | | | | | | | | | | | | | | | | | | | | | | | | | | | | | | | | | |
| | 77 | 5 | 40 A | 3.75 | | | | | | | | | | | | | | | | | | | | | | | | | | | | | | | | | | | | | | | | | | | | |
| | 7W2 | 6007W2SAU59R20X | 6007W2PAU59R20X | | | | | | | | | | | | | | | | | | | | | | | | | | | | | | | | | | | | | | | | | | | | | |
| | 11W1 | 6011W1SAU59R20X | 6011W1PAU59R20X | | | | | | | | | | | | | | | | | | | | | | | | | | | | | | | | | | | | | | | | | | | | | |
| | 9W4 | 6009W4SAU59R20X | 6009W4PAU59R20X | | | | | | | | | | | | | | | | | | | | | | | | | | | | | | | | | | | | | | | | | | | | | |
| | 13W3 | 6013W3SAU59R20X | 6013W3PAU59R20X | | | | | | | | | | | | | | | | | | | | | | | | | | | | | | | | | | | | | | | | | | | | | |
| | 17W2 | 6017W2SAU59R20X | 6017W2PAU59R20X | | | | | | | | | | | | | | | | | | | | | | | | | | | | | | | | | | | | | | | | | | | | | |
| | 21W1 | 6021W1SAU59R20X | 6021W1PAU59R20X | | | | | | | | | | | | | | | | | | | | | | | | | | | | | | | | | | | | | | | | | | | | | |
| | 13W6 | 6013W6SAU59R20X | 6013W6PAU59R20X | | | | | | | | | | | | | | | | | | | | | | | | | | | | | | | | | | | | | | | | | | | | | |
| 17W5 | 6017W5SAU59R20X | 6017W5PAU59R20X | | | | | | | | | | | | | | | | | | | | | | | | | | | | | | | | | | | | | | | | | | | | | | |
| 21WA4 | 621WA4SAU59R20X | 621WA4PAU59R20X | | | | | | | | | | | | | | | | | | | | | | | | | | | | | | | | | | | | | | | | | | | | | | |
| 25W3 | 6025W3SAU59R20X | 6025W3PAU59R20X | | | | | | | | | | | | | | | | | | | | | | | | | | | | | | | | | | | | | | | | | | | | | | |
| 27W2 | 6027W2SAU59R20X | 6027W2PAU59R20X | | | | | | | | | | | | | | | | | | | | | | | | | | | | | | | | | | | | | | | | | | | | | | |
| 24W7 | 6024W7SAU81R20X | 6024W7PAU81R20X | | | | | | | | | | | | | | | | | | | | | | | | | | | | | | | | | | | | | | | | | | | | | | |
| 36W4 | 6036W4SAU81R20X | 6036W4PAU81R20X | | | | | | | | | | | | | | | | | | | | | | | | | | | | | | | | | | | | | | | | | | | | | | |
| 43W2 | 6043W2SAU81R20X | 6043W2PAU81R20X | | | | | | | | | | | | | | | | | | | | | | | | | | | | | | | | | | | | | | | | | | | | | | |
| 47W1 | 6047W1SAU81R20X | 6047W1PAU81R20X | | | | | | | | | | | | | | | | | | | | | | | | | | | | | | | | | | | | | | | | | | | | | | |

IP67 COMBINATION D-SUB CONNECTORS
With signal & high power contacts 15 A

Solder pin angled, .417" / 10.6 mm
Precision machined contacts, metal bracket with PCB clip

Clip for PCB 1.6 mm, 4-40 UNC threaded insert



For other Power contacts select code from spread sheet

| Code | Shellsize | Current rating | Diameter solder pin |
|------|-----------|----------------|---------------------|
| 59 | 1-4 | 15 A | 1.90 |
| 73 | 1-4 | 20 A | 2.85 |
| 74 | 1-4 | 30 A | 3.20 |
| 75 | 1-4 | 40 A | 3.75 |
| 81 | 5 | 20 A | 2.85 |
| 82 | 5 | 30 A | 3.20 |
| 85 | 5 | 30 A | 3.20 |
| 77 | 5 | 40 A | 3.75 |

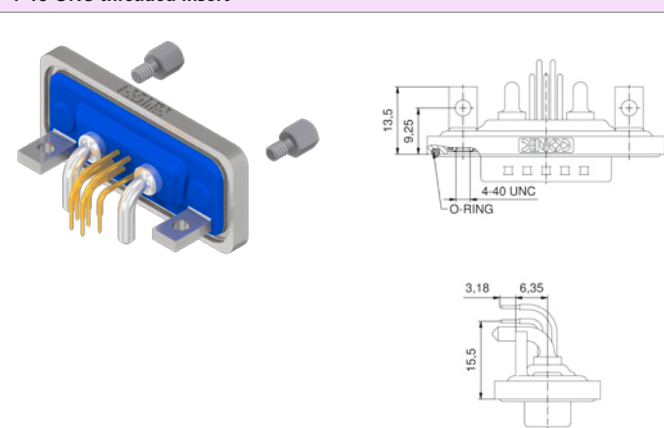
| No. of poles | Current rating signal contacts [A] | Current rating high power contacts [A] | Working voltage [V] | UL-File | Quality class | Part No. Socket contact | Part No. Plug contact |
|--------------|------------------------------------|--|---------------------|---------|---------------|-------------------------|-----------------------|
| 5W1 | 75 (UL) / 5 (CSA VDE) | 15 | 250 | E202784 | 3 | 6005W1SAU59R40X | 6005W1PAU59R40X |
| 7W2 | | | | | | 6007W2SAU59R40X | 6007W2PAU59R40X |
| 11W1 | | | | | | 6011W1SAU59R40X | 6011W1PAU59R40X |
| 9W4 | | | | | | 6009W4SAU59R40X | 6009W4PAU59R40X |
| 13W3 | | | | | | 6013W3SAU59R40X | 6013W3PAU59R40X |
| 17W2 | | | | | | 6017W2SAU59R40X | 6017W2PAU59R40X |
| 21W1 | | | | | | 6021W1SAU59R40X | 6021W1PAU59R40X |
| 13W6 | | | | | | 6013W6SAU59R40X | 6013W6PAU59R40X |
| 17W5 | | | | | | 6017W5SAU59R40X | 6017W5PAU59R40X |
| 21WA4 | | | | | | 621WA4SAU59R40X | 621WA4PAU59R40X |
| 25W3 | | | | | | 6025W3SAU59R40X | 6025W3PAU59R40X |
| 27W2 | | | | | | 6027W2SAU59R40X | 6027W2PAU59R40X |
| 24W7 | | | | | | 6024W7SAU81R40X | 6024W7PAU81R40X |
| 36W4 | | | | | | 6036W4SAU81R40X | 6036W4PAU81R40X |
| 43W2 | | | | | | 6043W2SAU81R40X | 6043W2PAU81R40X |
| 47W1 | | | | | | 6047W1SAU81R40X | 6047W1PAU81R40X |

Shell: Brass tin plated
Nickel plated die-cast frame
Quality class 3 (A) = 50 mating cycles
Stainless steel hex bolts are supplied loose
On request:
• Shell: Stainless steel
• Quality class 1 (C) = 500 mating cycles
• M3 thread

IP67 COMBINATION D-SUB CONNECTORS
With signal & high power contacts 15 A

Solder pin angled, .610" / 15.5 mm
Precision machined contacts, metal bracket

4-40 UNC threaded insert



For other Power contacts select code from spread sheet

| Code | Shellsize | Current rating | Diameter solder pin |
|------|-----------|----------------|---------------------|
| 59 | 1-4 | 15 A | 1.90 |
| 73 | 1-4 | 20 A | 2.85 |
| 74 | 1-4 | 30 A | 3.20 |
| 75 | 1-4 | 40 A | 3.75 |
| 81 | 5 | 20 A | 2.85 |
| 82 | 5 | 30 A | 3.20 |
| 85 | 5 | 30 A | 3.20 |
| 77 | 5 | 40 A | 3.75 |

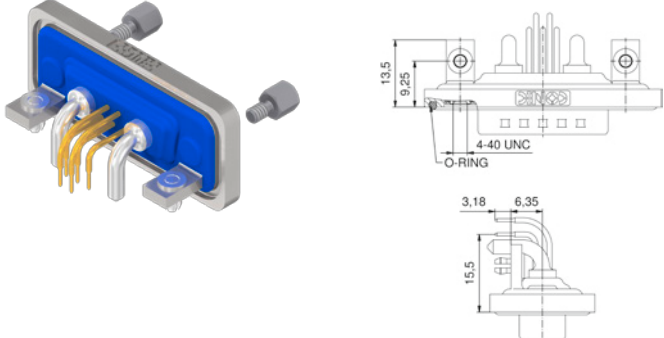
| No. of poles | Current rating signal contacts [A] | Current rating high power contacts [A] | Working voltage [V] | UL-File | Quality class | Part No. Socket contact | Part No. Plug contact |
|--------------|------------------------------------|--|---------------------|---------|---------------|-------------------------|-----------------------|
| 5W1 | 75 (UL) / 5 (CSA VDE) | 15 | 250 | E202784 | 3 | 6005W1SAZ59S20X | 6005W1PAZ59S20X |
| 7W2 | | | | | | 6007W2SAZ59S20X | 6007W2PAZ59S20X |
| 11W1 | | | | | | 6011W1SAZ59S20X | 6011W1PAZ59S20X |
| 9W4 | | | | | | 6009W4SAZ59S20X | 6009W4PAZ59S20X |
| 13W3 | | | | | | 6013W3SAZ59S20X | 6013W3PAZ59S20X |
| 17W2 | | | | | | 6017W2SAZ59S20X | 6017W2PAZ59S20X |
| 21W1 | | | | | | 6021W1SAZ59S20X | 6021W1PAZ59S20X |
| 13W6 | | | | | | 6013W6SAZ59S20X | 6013W6PAZ59S20X |
| 17W5 | | | | | | 6017W5SAZ59S20X | 6017W5PAZ59S20X |
| 21WA4 | | | | | | 621WA4SAZ59S20X | 621WA4PAZ59S20X |
| 25W3 | | | | | | 6025W3SAZ59S20X | 6025W3PAZ59S20X |
| 27W2 | | | | | | 6027W2SAZ59S20X | 6027W2PAZ59S20X |

Shell: Brass tin plated
Nickel plated die-cast frame
Quality class 3 (A) = 50 mating cycles
Stainless steel hex bolts are supplied loose
On request:
• Shell: Stainless steel
• Quality class 1 (C) = 500 mating cycles
• M3 thread
• Shellsize 5 on request

IP67 COMBINATION D-SUB CONNECTORS With signal & high power contacts 15 A

Solder pin angled, .610" / 15.5 mm
Precision machined contacts, metal bracket with PCB clip

Clip for PCB 1.6 mm, 4-40 UNC threaded insert


| Clip for PCB 1.6 mm, 4-40 UNC threaded insert | | No. of poles | Current rating signal contacts [A] | Current rating high power contacts [A] | Working voltage [V] | UL-File | Quality class | Part No. Socket contact | Part No. Plug contact | | | | | | | | | | | | | | | | | | | | | | | | | | | | | | | | | | | | | | | |
|--|--|-----------------|------------------------------------|--|---------------------|-----------|----------------|-------------------------|-----------------------|-----|------|------|----|-----|------|------|----|-----|------|------|----|-----|------|------|----|---|------|------|----|---|------|------|----|---|------|------|----|---|------|------|-----|-----------------------|----|-----|---------|---|-----------------|-----------------|
|  <table border="1"> <thead> <tr> <th colspan="4">For other Power contacts select code from spread sheet</th> </tr> <tr> <th>Code</th> <th>Shellsize</th> <th>Current rating</th> <th>Diameter solder pin</th> </tr> </thead> <tbody> <tr><td>59</td><td>1-4</td><td>15 A</td><td>1.90</td></tr> <tr><td>73</td><td>1-4</td><td>20 A</td><td>2.85</td></tr> <tr><td>74</td><td>1-4</td><td>30 A</td><td>3.20</td></tr> <tr><td>75</td><td>1-4</td><td>40 A</td><td>3.75</td></tr> <tr><td>81</td><td>5</td><td>20 A</td><td>2.85</td></tr> <tr><td>82</td><td>5</td><td>30 A</td><td>3.20</td></tr> <tr><td>85</td><td>5</td><td>30 A</td><td>3.20</td></tr> <tr><td>77</td><td>5</td><td>40 A</td><td>3.75</td></tr> </tbody> </table> | For other Power contacts select code from spread sheet | | | | Code | Shellsize | Current rating | Diameter solder pin | 59 | 1-4 | 15 A | 1.90 | 73 | 1-4 | 20 A | 2.85 | 74 | 1-4 | 30 A | 3.20 | 75 | 1-4 | 40 A | 3.75 | 81 | 5 | 20 A | 2.85 | 82 | 5 | 30 A | 3.20 | 85 | 5 | 30 A | 3.20 | 77 | 5 | 40 A | 3.75 | 5W1 | 75 (UL) / 5 (CSA VDE) | 15 | 250 | E202784 | 3 | 6005W1SAZ59S40X | 6005W1PAZ59S40X |
| | For other Power contacts select code from spread sheet | | | | | | | | | | | | | | | | | | | | | | | | | | | | | | | | | | | | | | | | | | | | | | | |
| | Code | Shellsize | Current rating | Diameter solder pin | | | | | | | | | | | | | | | | | | | | | | | | | | | | | | | | | | | | | | | | | | | | |
| | 59 | 1-4 | 15 A | 1.90 | | | | | | | | | | | | | | | | | | | | | | | | | | | | | | | | | | | | | | | | | | | | |
| | 73 | 1-4 | 20 A | 2.85 | | | | | | | | | | | | | | | | | | | | | | | | | | | | | | | | | | | | | | | | | | | | |
| | 74 | 1-4 | 30 A | 3.20 | | | | | | | | | | | | | | | | | | | | | | | | | | | | | | | | | | | | | | | | | | | | |
| | 75 | 1-4 | 40 A | 3.75 | | | | | | | | | | | | | | | | | | | | | | | | | | | | | | | | | | | | | | | | | | | | |
| | 81 | 5 | 20 A | 2.85 | | | | | | | | | | | | | | | | | | | | | | | | | | | | | | | | | | | | | | | | | | | | |
| | 82 | 5 | 30 A | 3.20 | | | | | | | | | | | | | | | | | | | | | | | | | | | | | | | | | | | | | | | | | | | | |
| | 85 | 5 | 30 A | 3.20 | | | | | | | | | | | | | | | | | | | | | | | | | | | | | | | | | | | | | | | | | | | | |
| | 77 | 5 | 40 A | 3.75 | | | | | | | | | | | | | | | | | | | | | | | | | | | | | | | | | | | | | | | | | | | | |
| | 7W2 | 6007W2SAZ59S40X | 6007W2PAZ59S40X | | | | | | | | | | | | | | | | | | | | | | | | | | | | | | | | | | | | | | | | | | | | | |
| | 11W1 | 6011W1SAZ59S40X | 6011W1PAZ59S40X | | | | | | | | | | | | | | | | | | | | | | | | | | | | | | | | | | | | | | | | | | | | | |
| 9W4 | 6009W4SAZ59S40X | 6009W4PAZ59S40X | | | | | | | | | | | | | | | | | | | | | | | | | | | | | | | | | | | | | | | | | | | | | | |
| 13W3 | 6013W3SAZ59S40X | 6013W3PAZ59S40X | | | | | | | | | | | | | | | | | | | | | | | | | | | | | | | | | | | | | | | | | | | | | | |
| 17W2 | 6017W2SAZ59S40X | 6017W2PAZ59S40X | | | | | | | | | | | | | | | | | | | | | | | | | | | | | | | | | | | | | | | | | | | | | | |
| 21W1 | 6021W1SAZ59S40X | 6021W1PAZ59S40X | | | | | | | | | | | | | | | | | | | | | | | | | | | | | | | | | | | | | | | | | | | | | | |
| 13W6 | 6013W6SAZ59S40X | 6013W6PAZ59S40X | | | | | | | | | | | | | | | | | | | | | | | | | | | | | | | | | | | | | | | | | | | | | | |
| 17W5 | 6017W5SAZ59S40X | 6017W5PAZ59S40X | | | | | | | | | | | | | | | | | | | | | | | | | | | | | | | | | | | | | | | | | | | | | | |
| 21WA4 | 621WA4SAZ59S40X | 621WA4PAZ59S40X | | | | | | | | | | | | | | | | | | | | | | | | | | | | | | | | | | | | | | | | | | | | | | |
| 25W3 | 6025W3SAZ59S40X | 6025W3PAZ59S40X | | | | | | | | | | | | | | | | | | | | | | | | | | | | | | | | | | | | | | | | | | | | | | |
| 27W2 | 6027W2SAZ59S40X | 6027W2PAZ59S40X | | | | | | | | | | | | | | | | | | | | | | | | | | | | | | | | | | | | | | | | | | | | | | |

Shell: Brass tin plated
Nickel plated die-cast frame
Quality class 3 (A) = 50 mating cycles
Stainless steel hex bolts are supplied loose
On request:
• Shell: Stainless steel
• Quality class 1 (C) = 500 mating cycles
• M3 thread
• Shellsize 5 on request

IP67 COMBINATION D-SUB CONNECTORS With high power contacts 10 A

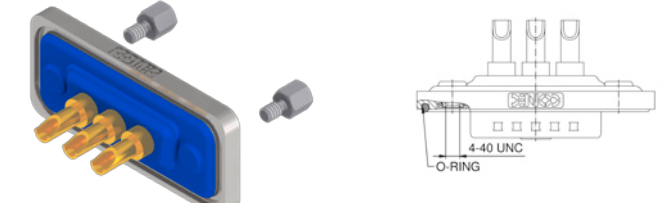
Solder cup straight
Precision machined contacts

4-40 UNC threaded insert

| 4-40 UNC threaded insert | | No. of poles | Current rating high power contacts [A] | Working voltage [V] | UL-File | Quality class | Part No. Socket contact | Part No. Plug contact | | | | | | | | | | | |
|---|--|-----------------|--|---------------------|---------|----------------|-------------------------|-----------------------|------|----|-------|------|-----|----|-----|---------|---|-----------------|-----------------|
|  <table border="1"> <thead> <tr> <th colspan="3">For other Power contacts select code from spread sheet</th> </tr> <tr> <th>Code</th> <th>AWG</th> <th>Current rating</th> </tr> </thead> <tbody> <tr><td>61</td><td>16-20</td><td>10 A</td></tr> <tr><td>62</td><td>12-14</td><td>20 A</td></tr> </tbody> </table> | For other Power contacts select code from spread sheet | | | Code | AWG | Current rating | 61 | 16-20 | 10 A | 62 | 12-14 | 20 A | 3W3 | 10 | 250 | E202784 | 3 | 6003W3SXX61B30X | 6003W3PXX61B30X |
| | For other Power contacts select code from spread sheet | | | | | | | | | | | | | | | | | | |
| | Code | AWG | Current rating | | | | | | | | | | | | | | | | |
| 61 | 16-20 | 10 A | | | | | | | | | | | | | | | | | |
| 62 | 12-14 | 20 A | | | | | | | | | | | | | | | | | |
| 5W5 | 10 | 250 | 6005W5SXX61B30X | 6005W5PXX61B30X | | | | | | | | | | | | | | | |
| 8W8 | 250 | 6008W8SXX61B30X | 6008W8PXX61B30X | | | | | | | | | | | | | | | | |

Shell: Brass tin plated
Nickel plated die-cast frame
Quality class 3 (A) = 50 mating cycles
Stainless steel hex bolts are supplied loose
On request:
• Shell: Stainless steel
• Quality class 1 (C) = 500 mating cycles
• M3 thread

4-40 UNC threaded insert, coded version

| 4-40 UNC threaded insert, coded version | | No. of poles | Current rating high power contacts [A] | Working voltage [V] | UL-File | Quality class | Part No. Socket contact | Part No. Plug contact | | | | | | | | | | | |
|---|--|-----------------|--|---------------------|---------|----------------|-------------------------|-----------------------|------|----|-------|------|------|----|-----|---------|---|-----------------|-----------------|
|  <table border="1"> <thead> <tr> <th colspan="3">For other Power contacts select code from spread sheet</th> </tr> <tr> <th>Code</th> <th>AWG</th> <th>Current rating</th> </tr> </thead> <tbody> <tr><td>61</td><td>16-20</td><td>10 A</td></tr> <tr><td>62</td><td>12-14</td><td>20 A</td></tr> </tbody> </table> | For other Power contacts select code from spread sheet | | | Code | AWG | Current rating | 61 | 16-20 | 10 A | 62 | 12-14 | 20 A | 2W2C | 10 | 250 | E202784 | 3 | 602W2CSXX61B30X | 602W2CPXX61B30X |
| | For other Power contacts select code from spread sheet | | | | | | | | | | | | | | | | | | |
| | Code | AWG | Current rating | | | | | | | | | | | | | | | | |
| 61 | 16-20 | 10 A | | | | | | | | | | | | | | | | | |
| 62 | 12-14 | 20 A | | | | | | | | | | | | | | | | | |
| 3W3C | 250 | 603W3CSXX61B30X | 603W3CPXX61B30X | | | | | | | | | | | | | | | | |

IP67 COMBINATION D-SUB CONNECTORS With high power contacts 10 A

Solder pin straight
Precision machined contacts

4-40 UNC front, threaded rear spacer clip for PCB 1.6 mm

| Code | Current rating | Diameter solder pin |
|------|----------------|---------------------|
| 68 | 20 A | 1.95 |
| 69 | 20 A | 2.60 |
| 70 | 20 A | 2.85 |
| 71 | 30 A | 3.18 |
| 72 | 40 A | 3.75 |

For other Power contacts select code from spread sheet

| No. of poles | Current rating high power contacts [A] | Working voltage [V] | UL-File | Quality class | Part No. Socket contact | Part No. Plug contact |
|--------------|--|---------------------|---------|---------------|-------------------------|-----------------------|
| 3W3 | 20 | 250 | E202784 | 3 | 6003W3SXX68E20X | 6003W3PXX68E20X |
| 5W5 | 20 | 250 | | | 6005W5SXX68E20X | 6005W5PXX68E20X |
| 8W8 | 20 | 250 | | | 6008W8SXX68E20X | 6008W8PXX68E20X |

Shell: Brass tin plated
Nickel plated die-cast frame
Quality class 3 (A) = 50 mating cycles
Stainless steel hex bolts are supplied loose
On request:
• Shell: Stainless steel
• Quality class 1 (C) = 500 mating cycles
• M3 thread

4-40 UNC front, threaded rear spacer clip for PCB 1.6 mm, coded version

| Code | Current rating | Diameter solder pin |
|------|----------------|---------------------|
| 68 | 20 A | 1.95 |
| 69 | 20 A | 2.60 |
| 70 | 20 A | 2.85 |
| 71 | 30 A | 3.18 |
| 72 | 40 A | 3.75 |

For other Power contacts select code from spread sheet

| No. of poles | Current rating high power contacts [A] | Working voltage [V] | UL-File | Quality class | Part No. Socket contact | Part No. Plug contact |
|--------------|--|---------------------|---------|---------------|-------------------------|-----------------------|
| 2W2C | 20 | 250 | E202784 | 3 | 602W2CSXX68E20X | 602W2CPXX68E20X |
| 3W3C | 20 | 250 | | | 603W3CSXX68E20X | 603W3CPXX68E20X |

IP67 COMBINATION D-SUB CONNECTORS
With high power contacts 15 A

Solder pin angled
Precision machined contacts, metal bracket

4-40 UNC threaded insert

| For other Power contacts select code from spread sheet | | | |
|--|-----------|----------------|---------------------|
| Code | Shellsize | Current rating | Diameter solder pin |
| 59 | 1-4 | 15 A | 1.90 |
| 73 | 1-4 | 20 A | 2.85 |
| 74 | 1-4 | 30 A | 3.20 |
| 75 | 1-4 | 40 A | 3.75 |

| No. of poles | Current rating high power contacts [A] | Working voltage [V] | UL-File | Quality class | Part No. Socket contact | Part No. Plug contact |
|--------------|--|---------------------|---------|---------------|-------------------------|-----------------------|
| 3W3 | | 250 | E202784 | 3 | 6003W3SXX59S20X | 6003W3PXX59S20X |
| 5W5 | 15 | 250 | | | 6005W5SXX59S20X | 6005W5PXX59S20X |
| 8W8 | | 250 | | | 6008W8SXX59S20X | 6008W8PXX59S20X |

Shell: Brass tin plated
Nickel plated die-cast frame
Quality class 3 (A) = 50 mating cycles
Stainless steel hex bolts are supplied loose
On request:
• Shell: Stainless steel
• Quality class 1 (C) = 500 mating cycles
• M3 thread

4-40 UNC threaded insert, coded version

| For other Power contacts select code from spread sheet | | | |
|--|-----------|----------------|---------------------|
| Code | Shellsize | Current rating | Diameter solder pin |
| 59 | 1-4 | 15 A | 1.90 |
| 73 | 1-4 | 20 A | 2.85 |
| 74 | 1-4 | 30 A | 3.20 |
| 75 | 1-4 | 40 A | 3.75 |

| | | | | | | |
|------|----|-----|---------|---|-----------------|-----------------|
| 2W2C | | 250 | E202784 | 3 | 602W2CSXX59S20X | 602W2CPXX59S20X |
| | 15 | | | | | |
| 3W3C | | 250 | | | 603W3CSXX59S20X | 603W3CPXX59S20X |

Solder pin angled
Precision machined contacts, metal bracket with PCB clip

Clip for PCB 1.6 mm, 4-40 UNC threaded insert

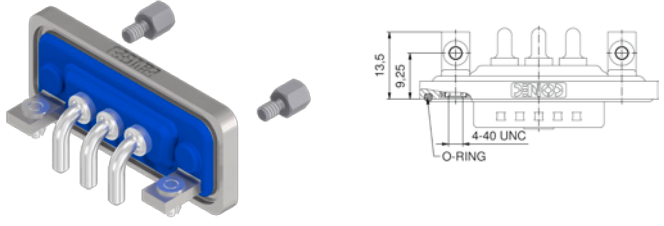
| For other Power contacts select code from spread sheet | | | |
|--|-----------|----------------|---------------------|
| Code | Shellsize | Current rating | Diameter solder pin |
| 59 | 1-4 | 15 A | 1.90 |
| 73 | 1-4 | 20 A | 2.85 |
| 74 | 1-4 | 30 A | 3.20 |
| 75 | 1-4 | 40 A | 3.75 |

| | | | | | | |
|-----|----|-----|---------|---|-----------------|-----------------|
| 3W3 | | 250 | E202784 | 3 | 6003W3SXX59S40X | 6003W3PXX59S40X |
| 5W5 | 15 | 250 | | | 6005W5SXX59S40X | 6005W5PXX59S40X |
| 8W8 | | 250 | | | 6008W8SXX59S40X | 6008W8PXX59S40X |

IP67 COMBINATION D-SUB CONNECTORS With high power contacts 15 A

Solder pin angled
Precision machined contacts, metal bracket with PCB clip

Clip for PCB 1.6 mm, 4-40 UNC threaded insert, coded Version


|  | | No. of poles | Current rating high power contacts [A] | Working voltage [V] | UL-File | Quality class | Part No. Socket contact | Part No. Plug contact | | | | | | | | | | | | | | | | | | | |
|--|------|-----------------|--|---------------------|---------|---------------|-------------------------|-----------------------|----|-----|------|------|----|-----|------|------|----|-----|------|------|------|----|-----|---------|---|-----------------|-----------------|
| <p>For other Power contacts select code from spread sheet</p> <table border="1"> <thead> <tr> <th>Code</th> <th>Shellsize</th> <th>Current rating</th> <th>Diameter solder pin</th> </tr> </thead> <tbody> <tr> <td>59</td> <td>1-4</td> <td>15 A</td> <td>1.90</td> </tr> <tr> <td>73</td> <td>1-4</td> <td>20 A</td> <td>2.85</td> </tr> <tr> <td>74</td> <td>1-4</td> <td>30 A</td> <td>3.20</td> </tr> <tr> <td>75</td> <td>1-4</td> <td>40 A</td> <td>3.75</td> </tr> </tbody> </table> | Code | Shellsize | Current rating | Diameter solder pin | 59 | 1-4 | 15 A | 1.90 | 73 | 1-4 | 20 A | 2.85 | 74 | 1-4 | 30 A | 3.20 | 75 | 1-4 | 40 A | 3.75 | 2W2C | 15 | 250 | E202784 | 3 | 602W2CSXX59S40X | 602W2CPXX59S40X |
| | Code | Shellsize | Current rating | Diameter solder pin | | | | | | | | | | | | | | | | | | | | | | | |
| 59 | 1-4 | 15 A | 1.90 | | | | | | | | | | | | | | | | | | | | | | | | |
| 73 | 1-4 | 20 A | 2.85 | | | | | | | | | | | | | | | | | | | | | | | | |
| 74 | 1-4 | 30 A | 3.20 | | | | | | | | | | | | | | | | | | | | | | | | |
| 75 | 1-4 | 40 A | 3.75 | | | | | | | | | | | | | | | | | | | | | | | | |
| 3W3C | 250 | 603W3CSXX59S40X | 603W3CPXX59S40X | | | | | | | | | | | | | | | | | | | | | | | | |

Shell: Brass tin plated
Nickel plated die-cast frame
Quality class 3 (A) = 50 mating cycles
Stainless steel hex bolts are supplied loose
On request:
• Shell: Stainless steel
• Quality class 1 (C) = 500 mating cycles
• M3 thread

IP67 COMBINATION D-SUB CONNECTORS Without frame, with signal & high power contacts 20 A

Solder cup straight
Precision machined contacts, design for use with hood

Through-hole \varnothing 3 mm

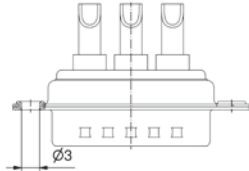
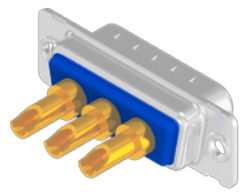
|  | | No. of poles | Current rating signal contacts [A] | Current rating high power contacts [A] | Working voltage [V] | UL-File | Quality class | Part No. Socket contact | Part No. Plug contact | | | | | | | | |
|---|-----------------|-----------------|------------------------------------|--|---------------------|---------|---------------|-------------------------|-----------------------|-----|-----------------------|----|-----|---------|---|-----------------|-----------------|
| <p>For other Power contacts select code from spread sheet</p> <table border="1"> <thead> <tr> <th>Code</th> <th>AWG</th> <th>Current rating</th> </tr> </thead> <tbody> <tr> <td>61</td> <td>16-20</td> <td>10 A</td> </tr> <tr> <td>62</td> <td>12-14</td> <td>20 A</td> </tr> </tbody> </table> | Code | AWG | Current rating | 61 | 16-20 | 10 A | 62 | 12-14 | 20 A | 9W4 | 75 (UI) / 5 (CSA VDE) | 10 | 250 | E202784 | 3 | 4005W1SAM61A10X | 4005W1PAM61A10X |
| | Code | AWG | Current rating | | | | | | | | | | | | | | |
| | 61 | 16-20 | 10 A | | | | | | | | | | | | | | |
| | 62 | 12-14 | 20 A | | | | | | | | | | | | | | |
| | 7W2 | 4007W2SAM61A10X | 4007W2PAM61A10X | | | | | | | | | | | | | | |
| | 17W5 | 4011W1SAM61A10X | 4011W1PAM61A10X | | | | | | | | | | | | | | |
| | 9W4 | 4009W4SAM61A10X | 4009W4PAM61A10X | | | | | | | | | | | | | | |
| | 21W1 | 4013W3SAM61A10X | 4013W3PAM61A10X | | | | | | | | | | | | | | |
| | 24W7 | 4017W2SAM61A10X | 4017W2PAM61A10X | | | | | | | | | | | | | | |
| | 27W2 | 4021W1SAM61A10X | 4021W1PAM61A10X | | | | | | | | | | | | | | |
| | 24W7 | 4013W6SAM61A10X | 4013W6PAM61A10X | | | | | | | | | | | | | | |
| | 25W3 | 4017W5SAM61A10X | 4017W5PAM61A10X | | | | | | | | | | | | | | |
| | 21WA4 | 421WA4SAM61A10X | 421WA4PAM61A10X | | | | | | | | | | | | | | |
| | 43W2 | 4025W3SAM61A10X | 4025W3PAM61A10X | | | | | | | | | | | | | | |
| | 47W1 | 4027W2SAM61A10X | 4027W2PAM61A10X | | | | | | | | | | | | | | |
| | 36W4 | 4024W7SAM61A10X | 4024W7PAM61A10X | | | | | | | | | | | | | | |
| 21WA4 | 4036W4SAM61A10X | 4036W4PAM61A10X | | | | | | | | | | | | | | | |
| 43W2 | 4043W2SAM61A10X | 4043W2PAM61A10X | | | | | | | | | | | | | | | |
| 47W1 | 4047W1SAM61A10X | 4047W1PAM61A10X | | | | | | | | | | | | | | | |

Shell: Brass tin plated
Quality class 3 (A) = 50 mating cycles
On request:
• Shell: Stainless steel
• Quality class 1 (C) = 500 mating cycles

IP67 COMBINATION D-SUB CONNECTORS
Without frame, with high power contacts 10 A

Solder cup straight
Precision machined contacts, design for use with hood

Through-hole Ø 3 mm



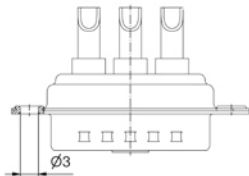
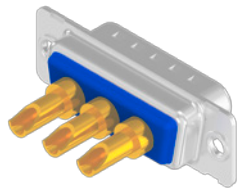
For other Power contacts select code from spread sheet

| Code | AWG | Current rating |
|------|-------|----------------|
| 61 | 16-20 | 10 A |
| 62 | 12-14 | 20 A |

| No. of poles | Current rating high power contacts [A] | Working voltage [V] | UL-File | Quality class | Part No. Socket contact | Part No. Plug contact |
|--------------|--|---------------------|---------|---------------|-------------------------|-----------------------|
| 8W8 | | 250 | E202784 | 3 | 4003W3SXX61A10X | 4003W3PXX61A10X |
| 11W1 | 10 | 250 | | | 4005W5SXX61A10X | 4005W5PXX61A10X |
| 13W3 | | 250 | | | 4008W8SXX61A10X | 4008W8PXX61A10X |

Shell: Brass tin plated
Quality class 3 (A) = 50 mating cycles
On request:
• Shell: Stainless steel
• Quality class 1 (C) = 500 mating cycles

Through-hole Ø 3 mm, coded version



For other Power contacts select code from spread sheet

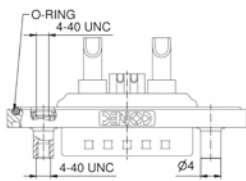
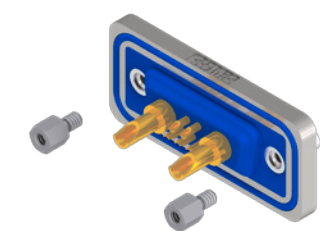
| Code | AWG | Current rating |
|------|-------|----------------|
| 61 | 16-20 | 10 A |
| 62 | 12-14 | 20 A |

| No. of poles | Current rating high power contacts [A] | Working voltage [V] | UL-File | Quality class | Part No. Socket contact | Part No. Plug contact |
|--------------|--|---------------------|---------|---------------|-------------------------|-----------------------|
| 2W2C | | 250 | E202784 | 3 | 402W2CSXX61A10X | 402W2CPXX61A10X |
| 3W3C | | 250 | | | 403W3CSXX61A10X | 403W3CPXX61A10X |

IP67 COMBINATION D-SUB CONNECTORS
Front panel mounting, with signal & high power contacts

Solder cup straight
Precision machined contacts

Front spacer 4-40 UNC



For other Power contacts select code from spread sheet

| Code | AWG | Current rating |
|------|-------|----------------|
| 61 | 16-20 | 10 A |
| 62 | 12-14 | 20 A |

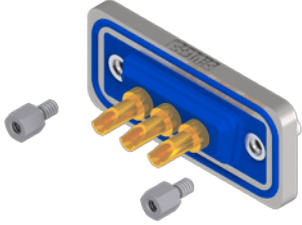
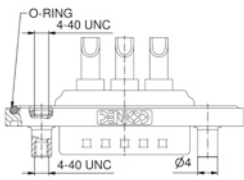
| No. of poles | Current rating signal contacts [A] | Current rating high power contacts [A] | Working voltage [V] | UL-File | Quality class | Part No. Socket contact | Part No. Plug contact |
|--------------|------------------------------------|--|---------------------|---------|---------------|-------------------------|-----------------------|
| 5W1 | | | | E202784 | 3 | 6005W1SAM61B50X | 6005W1PAM61B50X |
| 7W2 | | | | | | 6007W2SAM61B50X | 6007W2PAM61B50X |
| 11W1 | | | | | | 6011W1SAM61B50X | 6011W1PAM61B50X |
| 9W4 | | | | | | 6009W4SAM61B50X | 6009W4PAM61B50X |
| 13W3 | | | | | | 6013W3SAM61B50X | 6013W3PAM61B50X |
| 17W2 | | | | | | 6017W2SAM61B50X | 6017W2PAM61B50X |
| 21W1 | | | | | | 6021W1SAM61B50X | 6021W1PAM61B50X |
| 13W6 | | | | | | 6013W6SAM61B50X | 6013W6PAM61B50X |
| 17W5 | | | | | | 6017W5SAM61B50X | 6017W5PAM61B50X |
| 21WA4 | | | | | | 621WA4SAM61B50X | 621WA4PAM61B50X |
| 25W3 | | | | | | 6025W3SAM61B50X | 6025W3PAM61B50X |
| 27W2 | | | | | | 6027W2SAM61B50X | 6027W2PAM61B50X |
| 24W7 | | | | | | 6024W7SAM61B50X | 6024W7PAM61B50X |
| 36W4 | | | | | | 6036W4SAM61B50X | 6036W4PAM61B50X |
| 43W2 | | | | | | 6043W2SAM61B50X | 6043W2PAM61B50X |
| 47W1 | | | | | | 6047W1SAM61B50X | 6047W1PAM61B50X |

Shell: Brass tin plated
Nickel plated die-cast frame
Quality class 3 (A) = 50 mating cycles
Stainless steel hex bolts are supplied loose
On request:
• Shell: Stainless steel
• Quality class 1 (C) = 500 mating cycles
• M3 thread

IP67 COMBINATION D-SUB CONNECTORS 20 A
Front panel mounting, with high power contacts

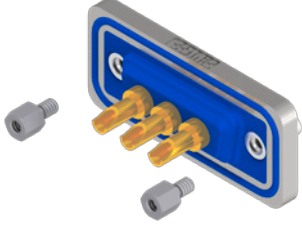
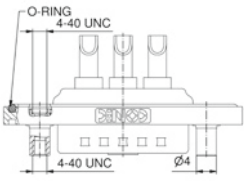
Solder cup straight
Precision machined contacts

Front spacer 4-40 UNC

| Front spacer 4-40 UNC | | No. of poles | Current rating high power contacts [A] | Working voltage [V] | UL-File | Quality class | Part No. Socket contact | Part No. Plug contact | | | | | | | | | | | |
|--|--|--------------|--|---------------------|---------|----------------|-------------------------|-----------------------|------|----|-------|------|-----|--|-----|---------|---|------------------|------------------|
|   <table border="1" data-bbox="111 660 475 779"> <thead> <tr> <th colspan="3">For other Power contacts select code from spread sheet</th> </tr> <tr> <th>Code</th> <th>AWG</th> <th>Current rating</th> </tr> </thead> <tbody> <tr> <td>61</td> <td>16-20</td> <td>10 A</td> </tr> <tr> <td>62</td> <td>12-14</td> <td>20 A</td> </tr> </tbody> </table> | For other Power contacts select code from spread sheet | | | Code | AWG | Current rating | 61 | 16-20 | 10 A | 62 | 12-14 | 20 A | 3W3 | | 250 | E202784 | 3 | 6003W3SXX61 B50X | 6003W3PXX61 B50X |
| | For other Power contacts select code from spread sheet | | | | | | | | | | | | | | | | | | |
| | Code | AWG | Current rating | | | | | | | | | | | | | | | | |
| 61 | 16-20 | 10 A | | | | | | | | | | | | | | | | | |
| 62 | 12-14 | 20 A | | | | | | | | | | | | | | | | | |
| 5W5 | 10 | 250 | 6005W5SXX61 B50X | 6005W5PXX61 B50X | | | | | | | | | | | | | | | |
| 8W8 | | 250 | 6008W8SXX61 B50X | 6008W8PXX61 B50X | | | | | | | | | | | | | | | |

Shell: Brass tin plated
Nickel plated die-cast frame
Quality class 3 (A) = 50 mating cycles
Stainless steel hex bolts are supplied loose
On request:
• Shell: Stainless steel
• Quality class 1 (C) = 500 mating cycles
• M3 thread

Front spacer 4-40 UNC, coded version

| Front spacer 4-40 UNC, coded version | | No. of poles | Current rating high power contacts [A] | Working voltage [V] | UL-File | Quality class | Part No. Socket contact | Part No. Plug contact | | | | | | | | | | | |
|--|--|--------------|--|---------------------|---------|----------------|-------------------------|-----------------------|------|----|-------|------|------|--|-----|---------|---|------------------|------------------|
|   <table border="1" data-bbox="111 1153 475 1272"> <thead> <tr> <th colspan="3">For other Power contacts select code from spread sheet</th> </tr> <tr> <th>Code</th> <th>AWG</th> <th>Current rating</th> </tr> </thead> <tbody> <tr> <td>61</td> <td>16-20</td> <td>10 A</td> </tr> <tr> <td>62</td> <td>12-14</td> <td>20 A</td> </tr> </tbody> </table> | For other Power contacts select code from spread sheet | | | Code | AWG | Current rating | 61 | 16-20 | 10 A | 62 | 12-14 | 20 A | 2W2C | | 250 | E202784 | 3 | 602W2CSXX61 B50X | 602W2CPXX61 B50X |
| | For other Power contacts select code from spread sheet | | | | | | | | | | | | | | | | | | |
| | Code | AWG | Current rating | | | | | | | | | | | | | | | | |
| 61 | 16-20 | 10 A | | | | | | | | | | | | | | | | | |
| 62 | 12-14 | 20 A | | | | | | | | | | | | | | | | | |
| 3W3C | | 250 | 603W3CSXX61 B50X | 603W3CPXX61 B50X | | | | | | | | | | | | | | | |