



CODE G - GENERAL INFORMATION

- EMI/RFI shielding
- Die cast zinc construction to maximize shielding and ruggedness.
- Well-proportioned to allow ample room for internal conductors.
- Central grounding post inside the cable adapter.
- Cable clamps and various cable exit options offered.
- Unused cable openings EMI/RFI protected using included metal plugs.

- Crimp ferrule system available for greater shielding performance and greater cable retention; see page 20.
- Offered with rotating jackscrews or quick disconnect locking systems.
- Supplied for D-subminiature connector housing sizes 1 - 6.

The EMI/RFI hood and adapters shown on pages 17 - 20 of this catalog are manufactured by **Inotec Electronics**. Positronic serves as the North American distributor of these hoods and adapters.

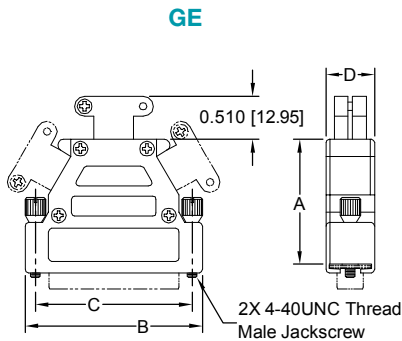
EMI/RFI METAL CABLE ADAPTER (HOOD)

WITH ROTATING JACKSCREWS

CODE GE^{*1}

EXTENDED HEIGHT GE^{*2}

FOR EXTENDED GE CABLE ADAPTER,
ADD THE SUFFIX AS INDICATED IN THE TABLE BELOW.

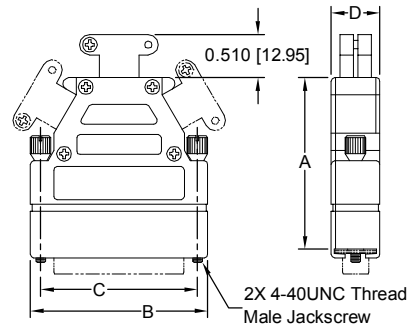


CABLE CLAMP OPENINGS

Shell Sizes 1 - 4:
0.118 [3.00], Min.
0.472 [11.99], Max.

Shell Size 5 - 6:
0.197 [5.00], Min.
0.551 [14.00], Max.

Material:
Zinc, die cast.



TYPICAL PART NUMBER: D25000GE0

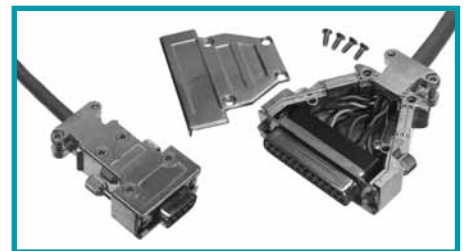
TYPICAL PART NUMBER: D25000GE0-1023.5

| PART NUMBER (Shell Size) | A | B | C | D | CABLE EXIT OPTION ^{*5} |
|------------------------------------|------------------|------------------|------------------|------------------|---|
| D9000GE0 (Shell Size 1) | 1.398 [35.50] | 1.220 [31.00] | 0.984 [25.00] | 0.583 [14.81] | 1 Top (Not pictured) |
| D9000GE0-1023.50 (Shell Size 1) | 1.398 [35.50] | 1.220 [31.00] | 0.984 [25.00] | 0.583 [14.81] | 1 Side (Not pictured) |
| D15000GE0 (Shell Size 2) | 1.575 [40.00] | 1.547 [39.30] | 1.311 [33.30] | 0.583 [14.81] | 1 Top, 1 Side ^{*3} (Not pictured) |
| D15000GE0-1579.0 (Shell Size 2) | 1.575 [40.00] | 1.547 [39.30] | 1.311 [33.30] | 0.583 [14.81] | 1 Side (Not pictured) |
| D25000GE0 (Shell Size 3) | 1.575 [40.00] | 2.094 [53.20] | 1.850 [47.00] | 0.583 [14.81] | 1 Top, 2 Side ^{*4} |
| D37000GE0 (Shell Size 4) | 1.575 [40.00] | 2.736 [69.50] | 2.500 [63.50] | 0.583 [14.81] | 1 Top, 2 Side ^{*4} |
| D50000GE0 (Shell Size 5) | 1.654 [42.00] | 2.638 [67.00] | 2.406 [61.10] | 0.701 [17.80] | 1 Top, 2 Side ^{*4} |
| D104000GE0 (Shell Size 6) | 1.560 [39.62] | 2.835 [72.01] | 2.500 [63.50] | 0.764 [19.40] | 1 Top, 2 Side ^{*4} (Not pictured) |

| PART NUMBER (Shell Size) | A | B | C | D | CABLE EXIT OPTION ^{*5} |
|------------------------------------|------------------|------------------|------------------|------------------|--|
| D9000GE0-1023.5 (Shell Size 1) | 1.988 [50.50] | 1.220 [31.00] | 0.984 [25.00] | 0.583 [14.81] | 1 Side (Not pictured) |
| D9000GE0-1023.49 (Shell Size 1) | 1.988 [50.50] | 1.220 [31.00] | 0.984 [25.00] | 0.583 [14.81] | 1 Top (Not pictured) |
| D15000GE0-1023.5 (Shell Size 2) | 2.165 [55.00] | 1.547 [39.30] | 1.311 [33.30] | 0.583 [14.81] | 1 Side ^{*3} (Not pictured) |
| D25000GE0-1023.5 (Shell Size 3) | 2.165 [55.00] | 2.094 [53.20] | 1.850 [47.00] | 0.583 [14.81] | 1 Top, 2 Side ^{*4} |
| D37000GE0-1023.5 (Shell Size 4) | 2.165 [55.00] | 2.736 [69.50] | 2.500 [63.50] | 0.583 [14.81] | 1 Top, 2 Side ^{*4} |
| D50000GE0-1023.5 (Shell Size 5) | 2.244 [57.00] | 2.638 [67.00] | 2.406 [61.10] | 0.701 [17.80] | 1 Top, 2 Side ^{*4} |

FEATURES:

- Gripping shoulders enable trouble-free extraction of the connector assembly even with tightly packed aligned cable adapters.
- Rotating jackscrews offer the most secure mechanical locking of the connector system.
- Standard height cable adapters for use with connector shell sizes 1 and 2 are available with a top or side cable exit option. Contact Technical Sales for details.
- Cable adapters for use with connector shell sizes 3 - 5 are designed with three (3) cable entries and can permit the looping through of cables. Cable entries not used are sealed with supplied metal plugs to maintain EMI/RFI shielding qualities.
- Two (2) height options are available, one being a low profile option (as shown on the left side of this page). An increased height option (as shown on the right side of this page) is offered for use with power conductors and coaxial cable, such as might be used with the Positronic CBD/CBM series connectors.
- Grounding to the cable adapter may be accomplished by fastening wires inside cable adapter with an M3 threaded Phillips head screw.



NOTES:

- ^{*1} To prevent stripping of the cable adapter assembly screws, we recommend using Pozidriv screwdriver bits available from stock using part number 9535-2-2-0, contact Technical Sales. Standard height GE cable adapter use the Pozidriv style jackscrews. Internal hex jackscrews are available for the standard height, but require an MOS.
- ^{*2} The extended height cable adapters use an internal hex jackscrew.
- ^{*3} These cable adapters are supplied with one (1) cable clamp set and one (1) opening plug.
- ^{*4} These cable adapters are supplied with one (1) cable clamp set and two (2) opening plugs.
- ^{*5} See page 20 for optional Crimp Ferrule System.