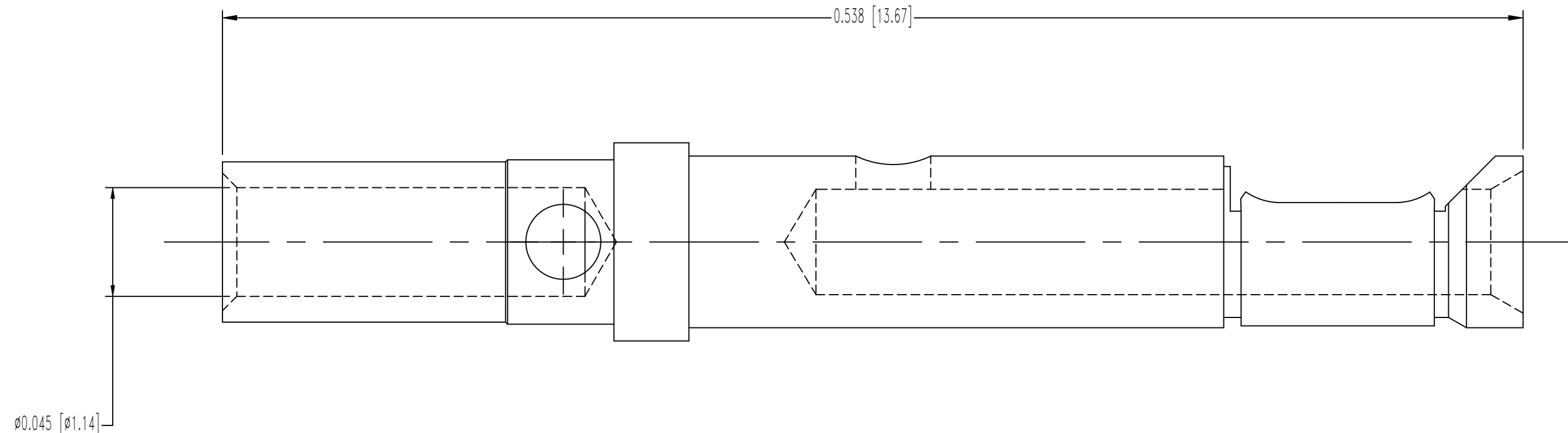


SK10835

THIS DRAWING CONTAINS INFORMATION PROPRIETARY TO POSITRONIC IND. INC. ANY REPRODUCTION, DISCLOSURE OR USE OF THIS DRAWING IS EXPRESSLY PROHIBITED, EXCEPT AS POSITRONIC IND. INC. MAY OTHERWISE AGREE IN WRITING.

DATE	REV	REVISION RECORD	APP	DR	CK
6-12-09	NC	ECO 31165	COLE	BS	COLE



NOTES:

- MATERIAL:
CONTACT: PRECISION MACHINED COPPER ALLOY
SPRING CLIP: BERYLLIUM COPPER, GOLD FLASH OVER NICKEL PLATE.
- DIMENSIONS ARE IN INCHES [MILLIMETERS].

	POSITRONIC INDUSTRIES INC. SPRINGFIELD, MISSOURI 65801	
	SCALE N.T.S.	DRAWN BY B SHELEDDY
DECIMAL TOL. ± 0.015 [0.38]	RD	APPROVED BY COLE
TITLE FC6020D2		
ANGULAR TOL. $\pm 5^\circ$	DATE 6-12-09	DRAWING NUMBER SK10835
		REV. NC