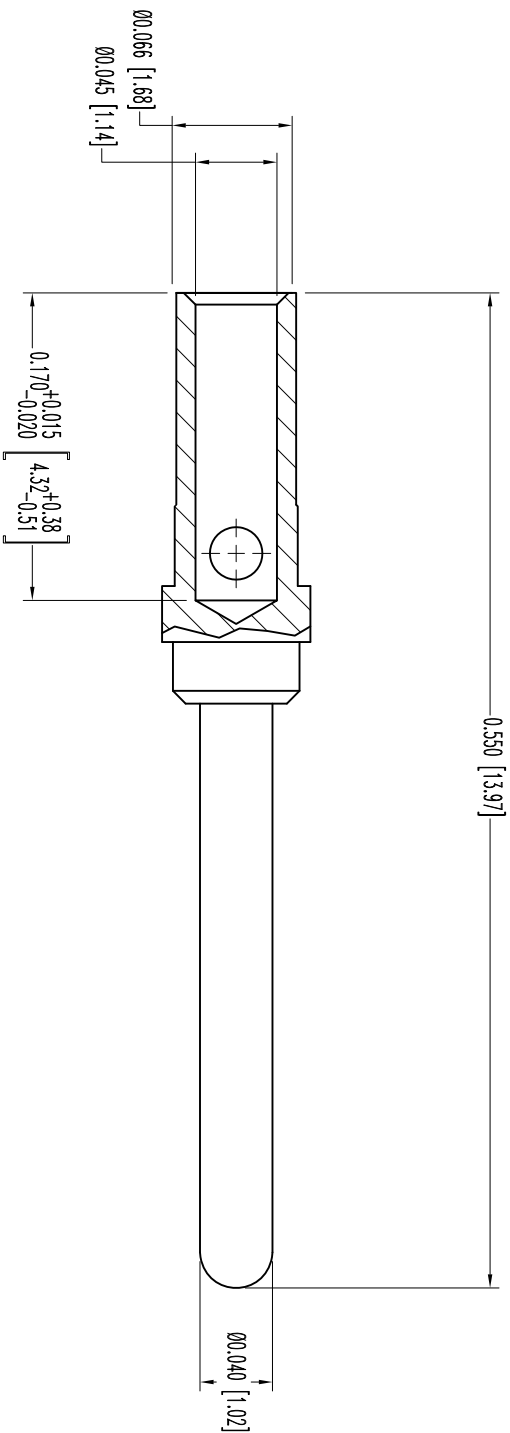



THIS DRAWING CONTAINS INFORMATION PROPRIETARY TO POSITRONIC AND ITS SUBSIDIARIES. POSITRONIC BELIEVES THE DATA ON THIS DRAWING TO BE RELIABLE. SINCE THE TECHNICAL INFORMATION IS GIVEN IN RELATION TO THE USE OF THE PRODUCT, POSITRONIC ASSUMES NO RESPONSIBILITY FOR RESULTS OBTAINED OR DAMAGES INCURRED FROM USE OF SUCH INFORMATION UNLESS SHOWN OTHERWISE ON THIS DRAWING.



DATE	REV	REVISION RECORD	APP	DR	CK
11-29-05	NC	ECO 25113	RW	YK	COLM
11-8-11	A	ECO 34707	COLM	BE	COLM

SK6763

- NOTES:
1. MATERIAL AND FINISHES:
CONTACT: PRECISION MACHINED COPPER ALLOY, GOLD FLASH OVER NICKEL PLATE.
 2. DETAILED PRODUCT, ELECTRICAL, AND MECHANICAL INFORMATION IS AVAILABLE IN THE LATEST STANDARD DENSITY COMBO-D PRODUCT PUBLICATION. VISIT CONNECTPOSITRONIC.COM/PRODUCTS/1/STANDARDENSITYCOMBO-D OR CONNECTPOSITRONIC.COM.
 3. CONTACTS ARE ROHS COMPLIANT PER ROHS DIRECTIVE 2002/95/EC OF JAN 2003.
 4. DIMENSIONS ARE IN INCHES [MILLIMETERS].

		POSITRONIC INDUSTRIES INC. www.connectpositronic.com		FSCM 28198	
		CBC SERIES		SCALE N.T.S.	
DECIMAL TOL. ± 0.015 [0.38]		TITLE MC6020D/AA		DRAWN BY YK	
ANGULAR TOL. ± 5°		DATE 11-29-05		APPROVED BY RW	
		DRAWING NUMBER SK6763		REV. A	