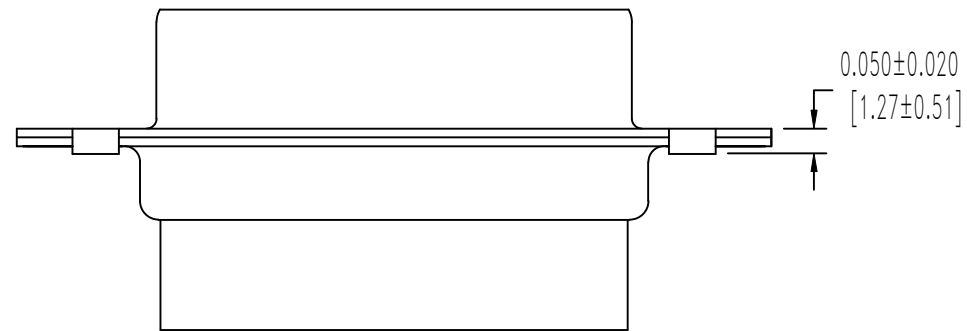
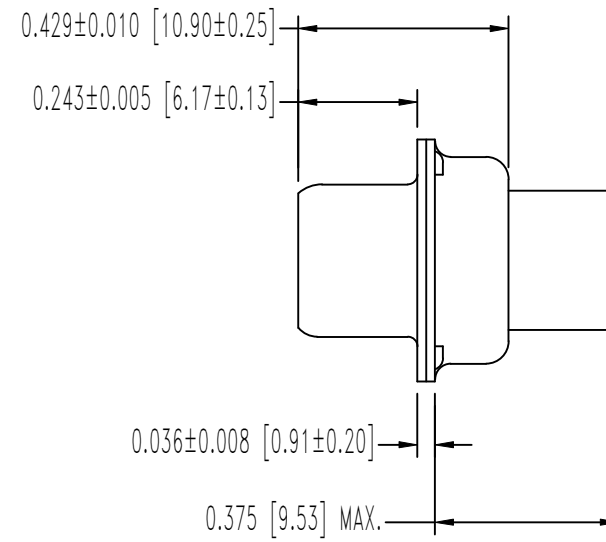
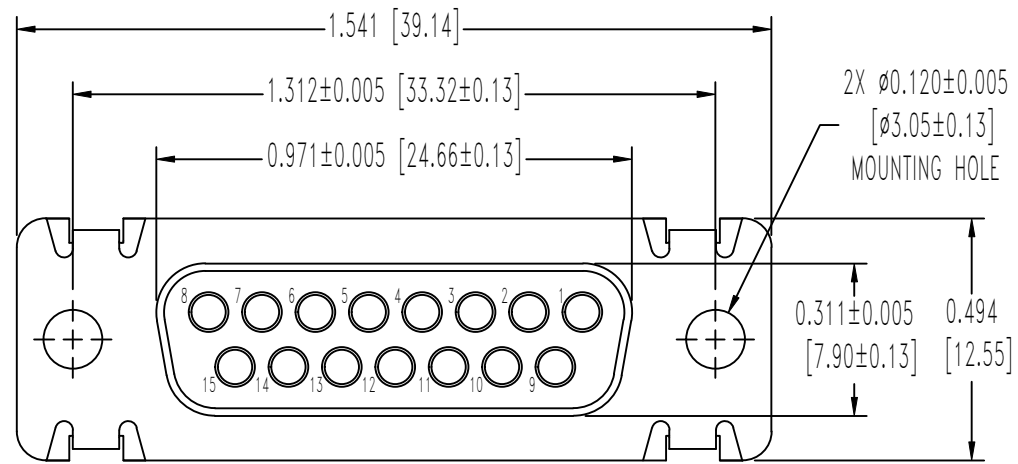


SK21727

THIS DRAWING CONTAINS INFORMATION PROPRIETARY TO POSITRONIC AND ITS SUBSIDIARIES. POSITRONIC BELIEVES THE DATA ON THIS DRAWING TO BE RELIABLE. SINCE THE TECHNICAL INFORMATION IS GIVEN FREE OF CHARGE, THE USER EMPLOYS SUCH INFORMATION AT HIS OWN DISCRETION AND RISK. POSITRONIC ASSUMES NO RESPONSIBILITY FOR RESULTS OBTAINED OR DAMAGES INCURRED FROM USE OF SUCH INFORMATION IN WHOLE OR IN PART.

DATE	REV	REVISION RECORD	APP	DR	CK
08-19-17	A	ECO 56372	BF	GJ	BF



NOTES:

- MATERIALS AND FINISHES:  
INSULATOR: GLASS FILLED DAP PER ASTM-D5948, SDG-F, UL 94V-0, GREEN COLOR.  
SHELLS: STAINLESS STEEL, PASSIVATED.
- DETAILED PRODUCT, MECHANICAL AND ELECTRICAL INFORMATION IS AVAILABLE IN THE LATEST STANDARD DENSITY D-SUB PRODUCT PUBLICATION AT CONNECTPOSITRONIC.COM.
- CONNECTORS ARE COMPLIANT TO THE CURRENT ROHS DIRECTIVE.
- DIMENSIONS ARE IN INCHES [MILLIMETERS].

	<b>POSITRONIC INDUSTRIES INC.</b> www.connectpositronic.com		FSCM 28198
	RD SERIES	SCALE N.T.S.	DRAWN BY GANESH J.
DECIMAL TOL. ± 0.015 [0.38]	TITLE RD15S0000S/AA		
ANGULAR TOL. ± 5°	DATE 08-19-17	DRAWING NUMBER SK21727	REV. A