

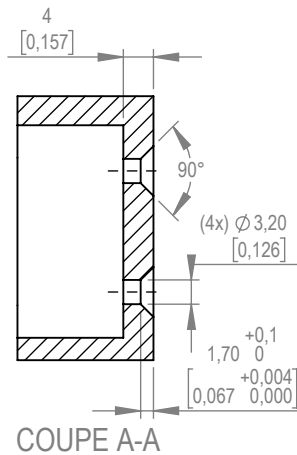
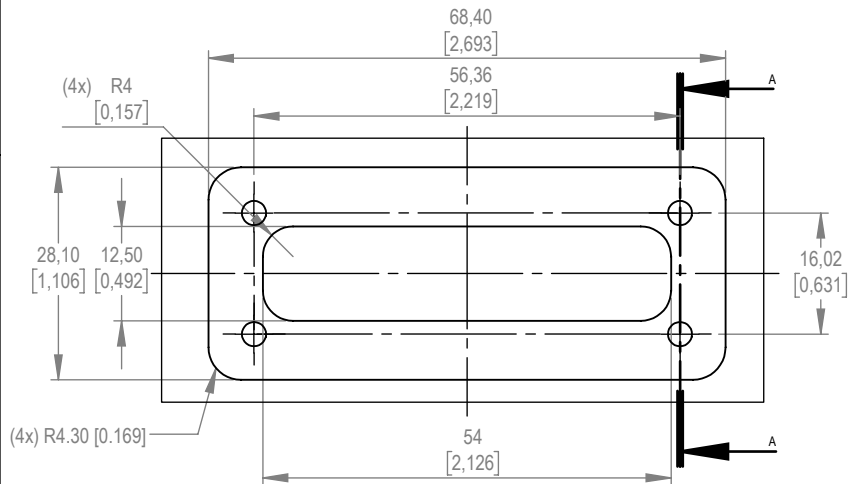
NOTES :

1.MATERIAL AND FINISHES:

- INSULATOR : GLASS-FILLED DAP PER ASTM-D-5948.
- CONTACTS M/S: PRECISION MACHINED COPPER ALLOY WITH 1.27µ [0.000050 inch] GOLD OVER COPPER PLATE.
- SHELLS : STAINLESS STEEL, PASSIVATED.
- HOUSING : ALUMINIUM ALLOY, GOLDEN BROWN CONVERSION COATING.
- JACKSCREWS : STAINLESS STEEL, PASSIVATED.
- WASHERS: STAINLESS STEEL, PASSIVATED.
- O-RING : FLUOROCARBON, BLACK COLOR. (ONE MOUNTING AND ONE FOR SPARE PART).
- FIXATION SCREWS : STAINLESS STEEL, PASSIVATED (KITTED).
- DUST COVER: CONDUCTIVE LOW DENSITY POLYETHYLENE (KITTED).

2.DETAIL PRODUCT, ELECTRICAL AND MECHANICAL INFORMATION IS AVAILABLE IN THE LATEST XAVAC PRODUCT AT CONNECTPOSITRONIC.COM.

PANEL CUT-OUT INFORMATIONS



DRAWING NO.	PART NUMBER	REMARKS
PSK2325-1	XAVAC25M/SI.0	-
PSK2325-2	XAVAC25M/SI.0/AA	RoHS COMPLIANT TO THE CURRENT RoHS DIRECTIVE.

LATEST REVISION	
BY A.Thurette	CHK R.Biane
APR P.Pivetta	ECO CH 2957

3RD ANGLE

SCALE

NTS

PART NUMBER

XAVAC25M/SI.0 / XAVAC25M/SI.0/AA

TITLE

PSK2325-*

DATE

27/07/2017

SHEET

SHEET 1 OF 1

REV

A



TOLERANCES

±0.03mm [0.001 INCHES] FOR MALE CONTACT MATING DIAMETERS

±0.08mm [0.003 INCHES] FOR CONTACT TERMINATION DIAMETERS

±0.13mm [0.005 INCHES] FOR ALL OTHER DIAMETERS

±0.38mm [0.005 INCHES] FOR ALL OTHER DIMENSIONS

±5° FOR ALL ANGLES

DIMENSION ARE IN MILLIMETERS [INCHES]

SERIES	
HERMETIC	