

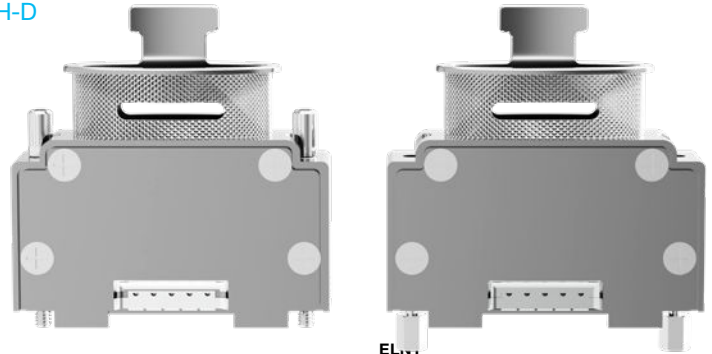
ELECTROMAGNETICALLY COMPATIBLE MACHINED LOW-PROFILE BACKSHELLS

LIGHTWEIGHT ALUMINUM

EL SERIES, FOR USE WITH D-SUB CONNECTORS, INCLUDING MACH-D

FEATURES

- Suitable for machined and stamped D-Sub connectors, including the Mach-D Series
- Available in shell sizes 1 through 6
- Banded top elliptical entry, knurled with tie wrap
- Low profile
- Metal backshell offers EMI protection
- Includes grounding strip and conductive gasket
- Re-openable
- Full metal captive jackscrews UNC 4-40 standard, M3 available
- Suitable for robust use
- Machined lightweight aluminum
- Customizable



ELNE3
Rotating male jackscrew, internal hex

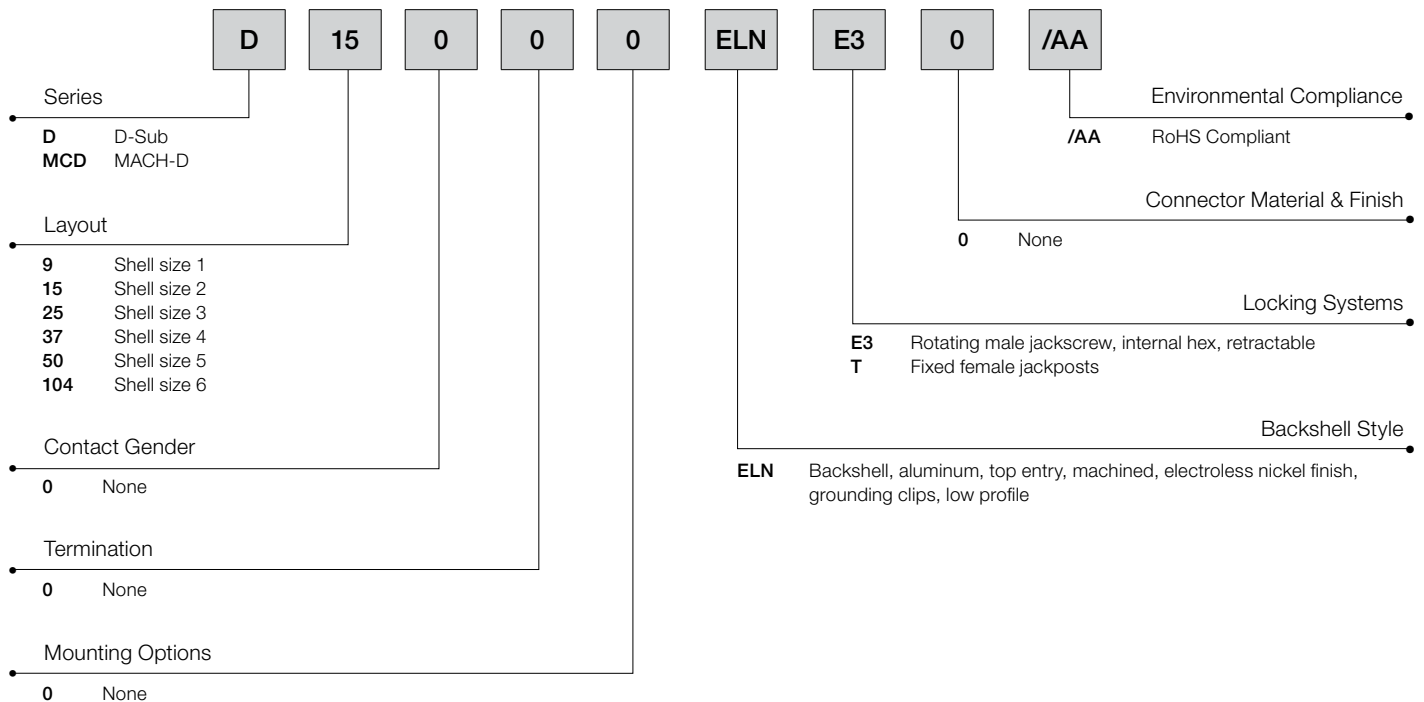
ELTV
Fixed female jackposts

TECH SPECS

Performance Level	Mil/Aero / Spaceflight / Industrial
RoHS Compliance	Compliant
Material	Aluminum, electroless nickel plate
Jackscrews	Stainless steel, passivated
Cable Orientation	Top entry
Grounding Clip	Beryllium copper
Screws	Stainless steel, passivated
Operating Temperature	-60°C to +204°C

FEATURES / TECH SPECS

CREATE A PART



Positronic
an Amphenol company

THE SCIENCE OF CERTAINTY®

M036 23/07

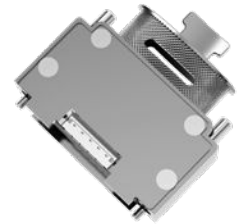
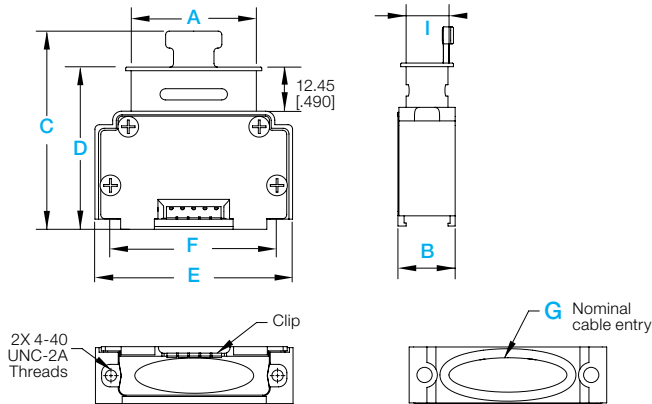
LIGHTWEIGHT ALUMINUM BACKSHELLS

For the sake of brevity, only basic dimensions are shown here. Full dimensional detail is available in the respective product drawings.

For use with code E3 or T

EL

Backshell, aluminum, top entry, machined, electroless nickel finish, grounding clips, low profile



EL backshell shown with E3 option



EL backshell shown with T option

Dimensions are in millimeters [inches]

PART NUMBER	Connector / Contact Arrangement Compatibility	Shell Size	A	B	C	D	E	F	G Cable Entry	I	Total Mass ^{*1}
D9000ELNE30 D9000ELNTO MCD9000ELNE30 MCD9000ELNTO	Std-D: 9 High-D: 15	1	13.31 [.524]	16.08 [.633]	55.96 [2.203]	45.80 [1.803]	33.58 [1.322]	24.99 [.984]	11.28 X 9.73 [.444 X .383]	11.76 [.463]	30.9 grams ^{*1}
D15000ELNE30 D15000ELNTO MCD15000ELNE30 MCD15000ELNTO	Std-D: 15 High-D: 26	2	21.64 [.852]	16.08 [.633]	55.96 [2.203]	45.80 [1.803]	41.91 [1.650]	33.32 [1.312]	19.61 X 9.73 [.772 X .383]	11.76 [.463]	35.4 grams ^{*1}
D25000ELNE30 D25000ELNTO MCD25000ELNE30 MCD25000ELNTO	Std-D: 25 High-D: 44	3	35.36 [1.392]	16.08 [.633]	55.96 [2.203]	45.80 [1.803]	55.80 [2.197]	47.04 [1.852]	33.32 X 9.73 [1.312 X .383]	11.76 [.463]	42.8 grams ^{*1}
D37000ELNE30 D37000ELNTO MCD37000ELNE30 MCD37000ELNTO	Std-D: 37 High-D: 62	4	51.82 [2.040]	16.08 [.633]	55.96 [2.203]	45.80 [1.803]	72.26 [2.845]	63.50 [2.500]	49.78 X 9.73 [1.960 X .383]	11.76 [.463]	51.0 grams ^{*1}
D50000ELNE30 D50000ELNTO MCD50000ELNE30 MCD50000ELNTO	Std-D: 50 High-D: 78	5	49.43 [1.946]	18.92 [.745]	55.96 [2.203]	45.80 [1.803]	69.88 [2.751]	61.11 [2.406]	47.39 X 12.57 [1.866 X .495]	11.76 [.463]	54.1 grams ^{*1}
D104000ELNE30 D104000ELNTO MCD104000ELNE30 MCD104000ELNTO	Std-D: n/a High-D: 104	6	51.84 [2.041]	20.50 [.807]	55.96 [2.203]	45.80 [1.803]	72.26 [2.845]	63.50 [2.500]	49.78 X 14.15 [1.960 X .557]	16.20 [.638]	57.0 grams ^{*1}

*1 *Total Mass shown is for D#000ELNTO configuration. For Total Mass of E3 jackscrew option, add 1.0 grams to the listed value.

Positronic | Americas

1325 N Eldon Ave
Springfield MO 65803 USA
+1 800 641 4054
info@connectpositronic.com

Positronic | Europe

46 route d'Engachies
F-32020 Auch Cedex 9 France
+33 5 6263 4491
contact@connectpositronic.com

Positronic | Asia

3014A Ubi Rd 1 #07-01
Singapore 408703
+65 6842 1419
singapore@connectpositronic.com

Sales Offices

Positronic has local sales representation all over the world.

For the nearest sales office visit www.connectpositronic.com/sales