

6

5

4

3

2

1

D

C

B

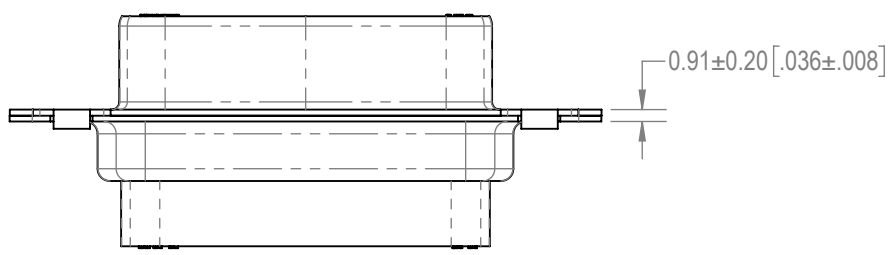
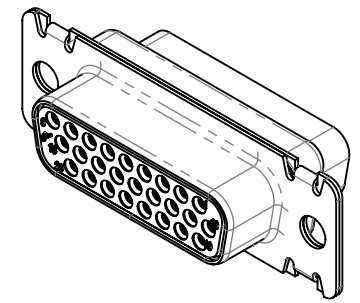
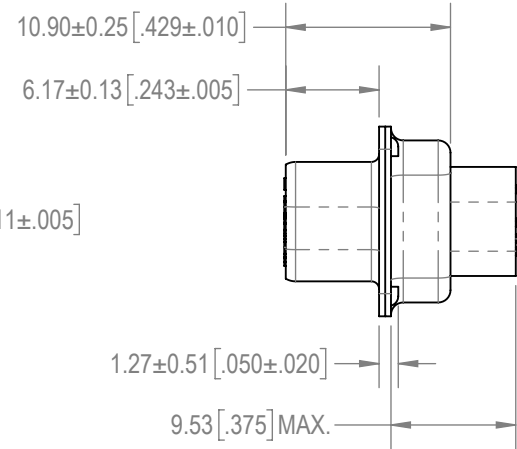
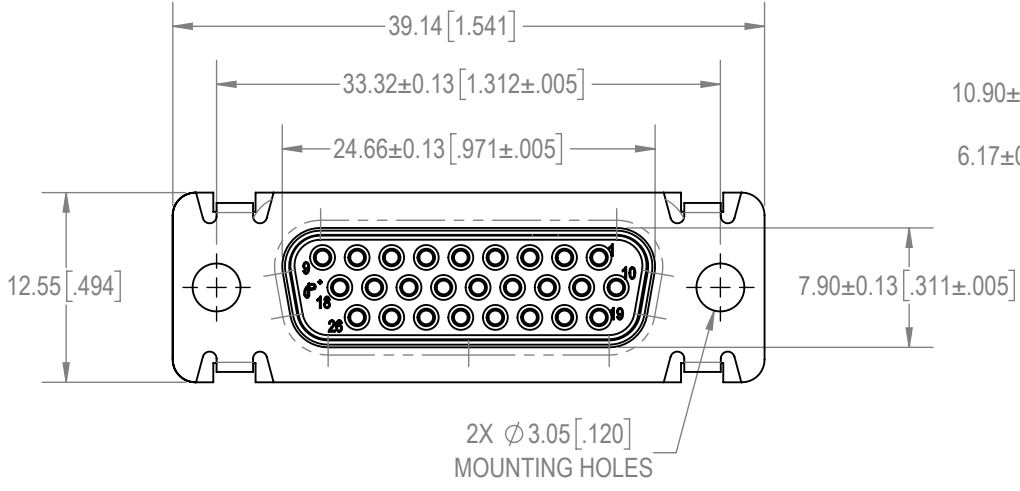
A

D

C

B

A



- NOTES:**
- MATERIAL AND FINISHES:**  
INSULATOR: GLASS FILLED POLYESTER PER ASTM D5927, UL 94V-0, COLOR: BLUE.  
SHELLS: STAINLESS STEEL PASSIVATED.
  - DETAILED PRODUCT, MECHANICAL AND ELECTRICAL INFORMATION IS AVAILABLE IN THE LATEST HIGH DENSITY D-SUB PRODUCT PUBLICATION AT CONNECTPOSITRONIC.COM.
  - CONNECTORS ARE COMPLIANT TO THE CURRENT RoHS DIRECTIVE.

BY SM	CHK AB	3RD ANGLE 	POSITRONIC BELIEVES THE DATA ON THE DRAWING TO BE RELIABLE. THE USER EMPLOYS SUCH INFORMATION AT HIS OWN DISCRETION AND RISK. POSITRONIC ASSUMES NO RESPONSIBILITY FOR RESULTS OBTAINED OR DAMAGES INCURRED FROM USE OF SUCH INFORMATION IN WHOLE OR IN PART.	
APR PA	RELEASED DATE: 2021-12-02	SCALE NTS		
TOLERANCES ±0.03mm [.001 INCHES] FOR MALE CONTACT MATING DIAMETERS ±0.08mm [.003 INCHES] FOR CONTACT TERMINATION DIAMETERS ±0.13mm [.005 INCHES] FOR ALL OTHER DIAMETERS ±0.38mm [.015 INCHES] FOR ALL OTHER DIMENSIONS ±5° FOR ALL ANGLES DIMENSION ARE IN MILLIMETERS [INCHES]		PART NUMBER DD26S0000S/AA	SERIES DD	
CREATED ON: 2021-12-02		SHEET SHEET 1 OF 1	TITLE DD26S0000S/AA	REV A

6

5

4

3

2

1